

REV. NO.		REVISIONS						
LOC	DIST	REV	DATE	DESCRIPTION	ECN	DATE	DWN	APVD
J	-	A1		REVISED	ECR-09-003616	23FEB09	SF	KB

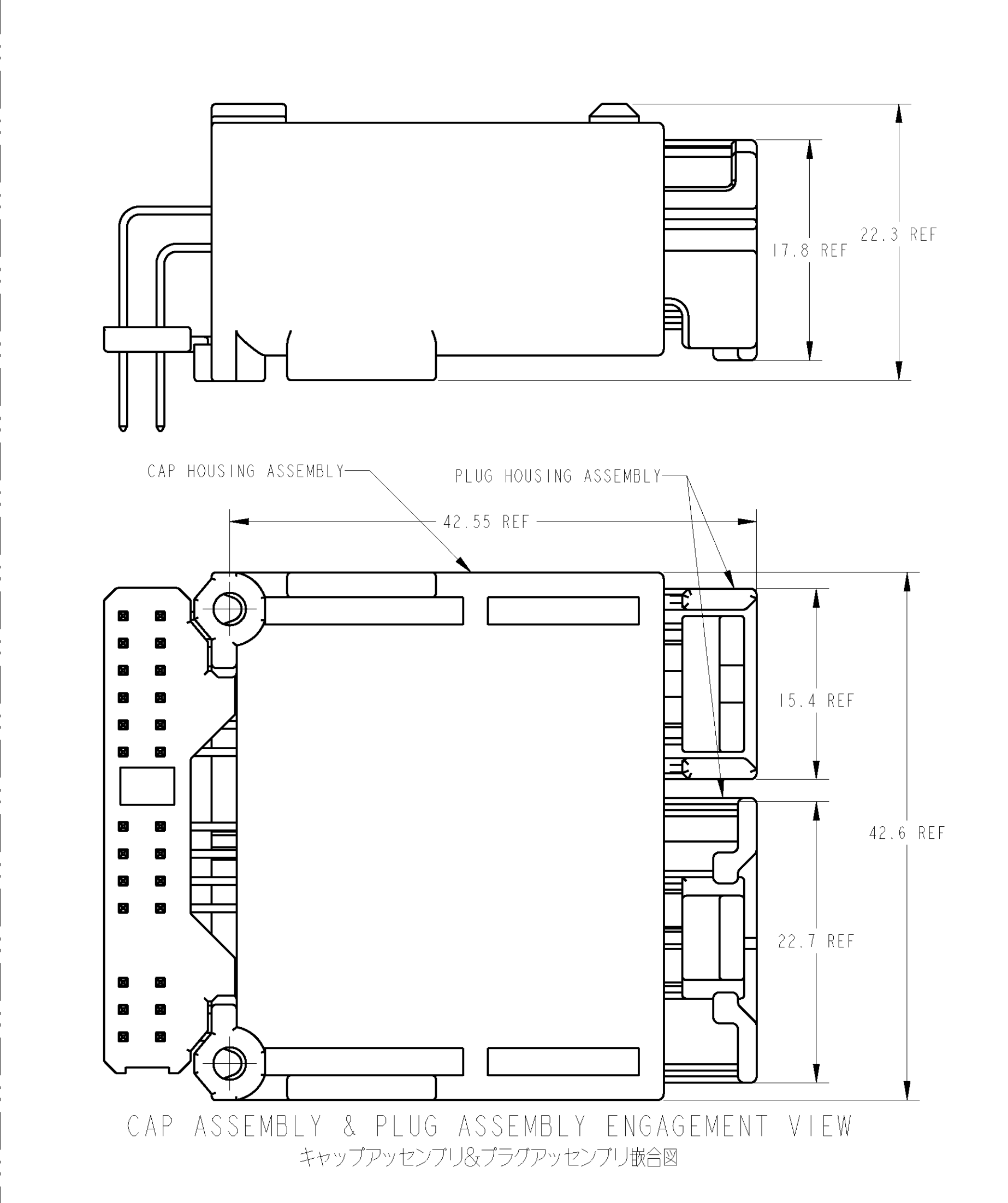
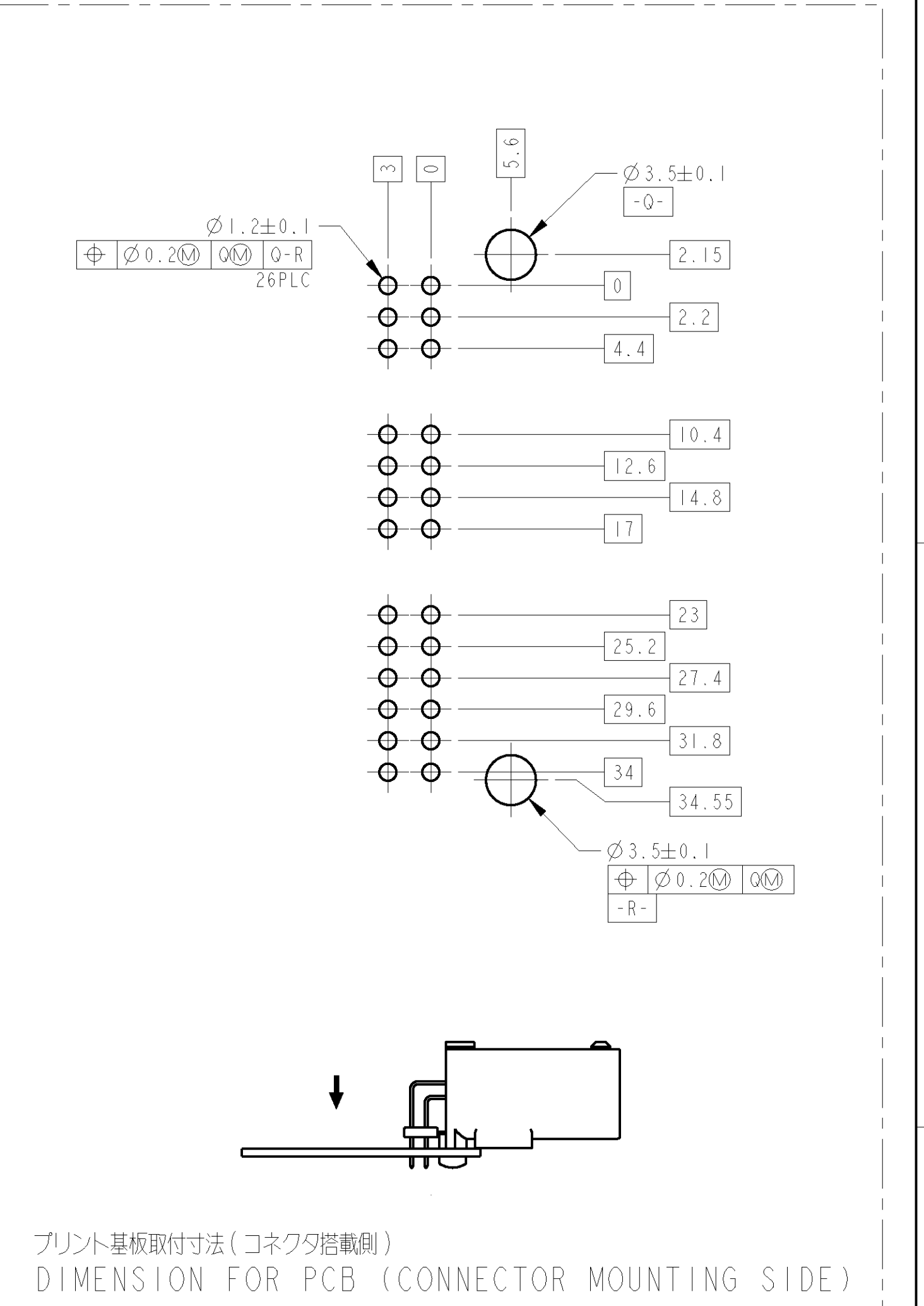
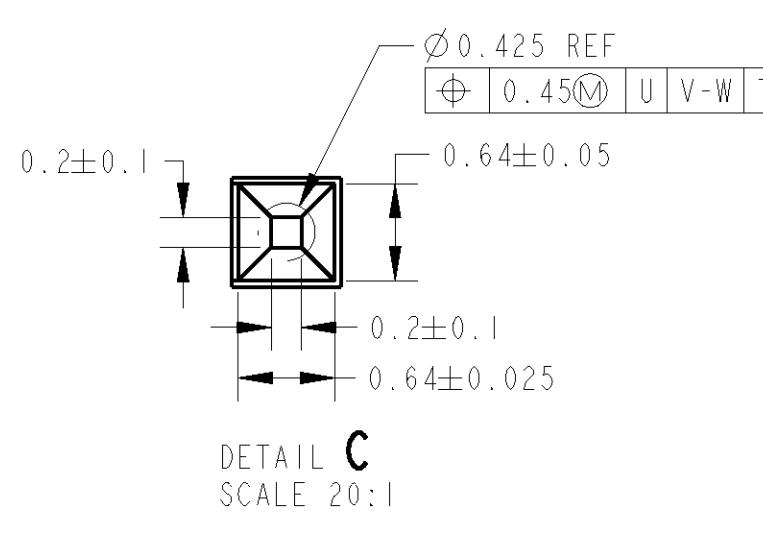
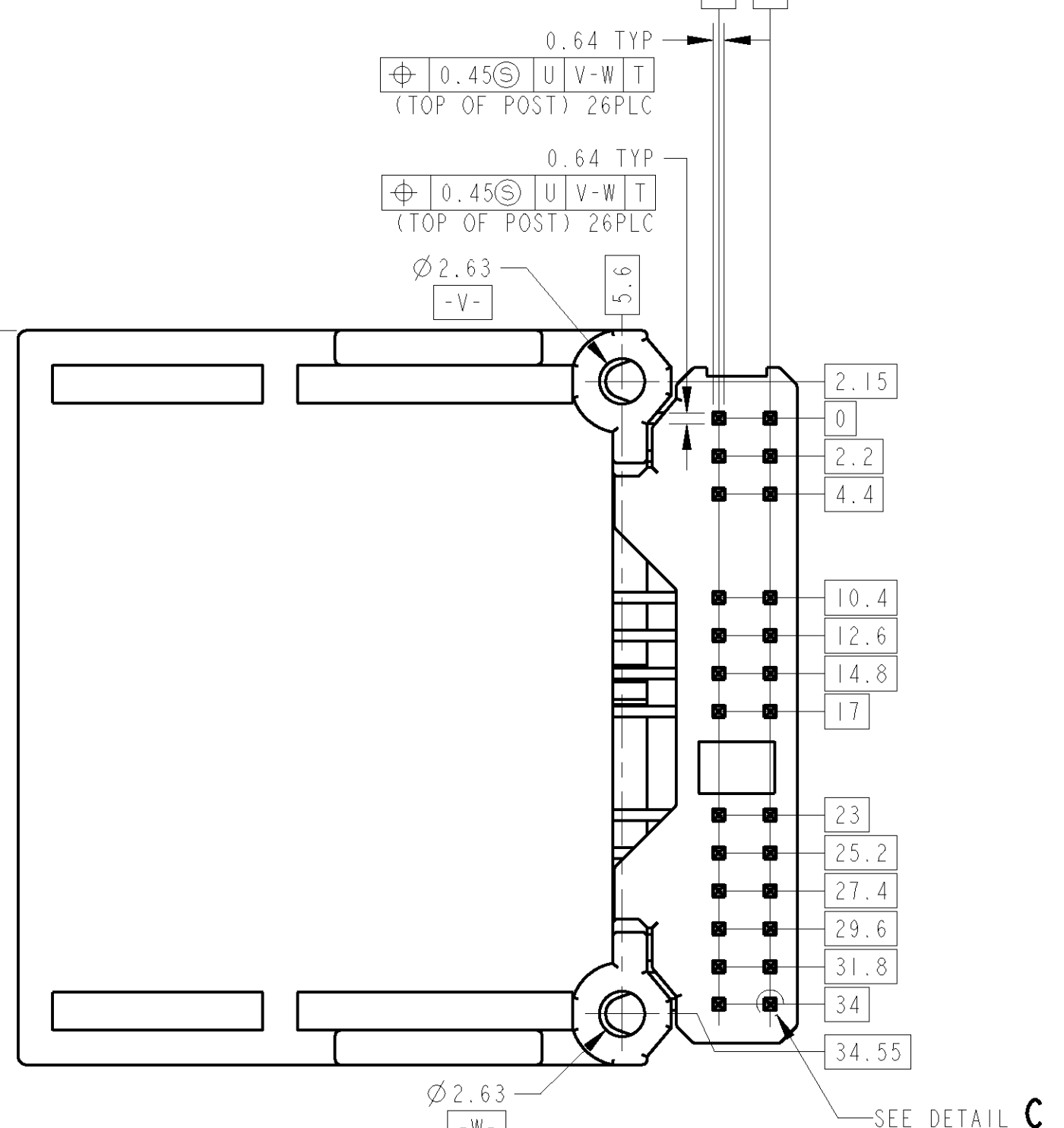
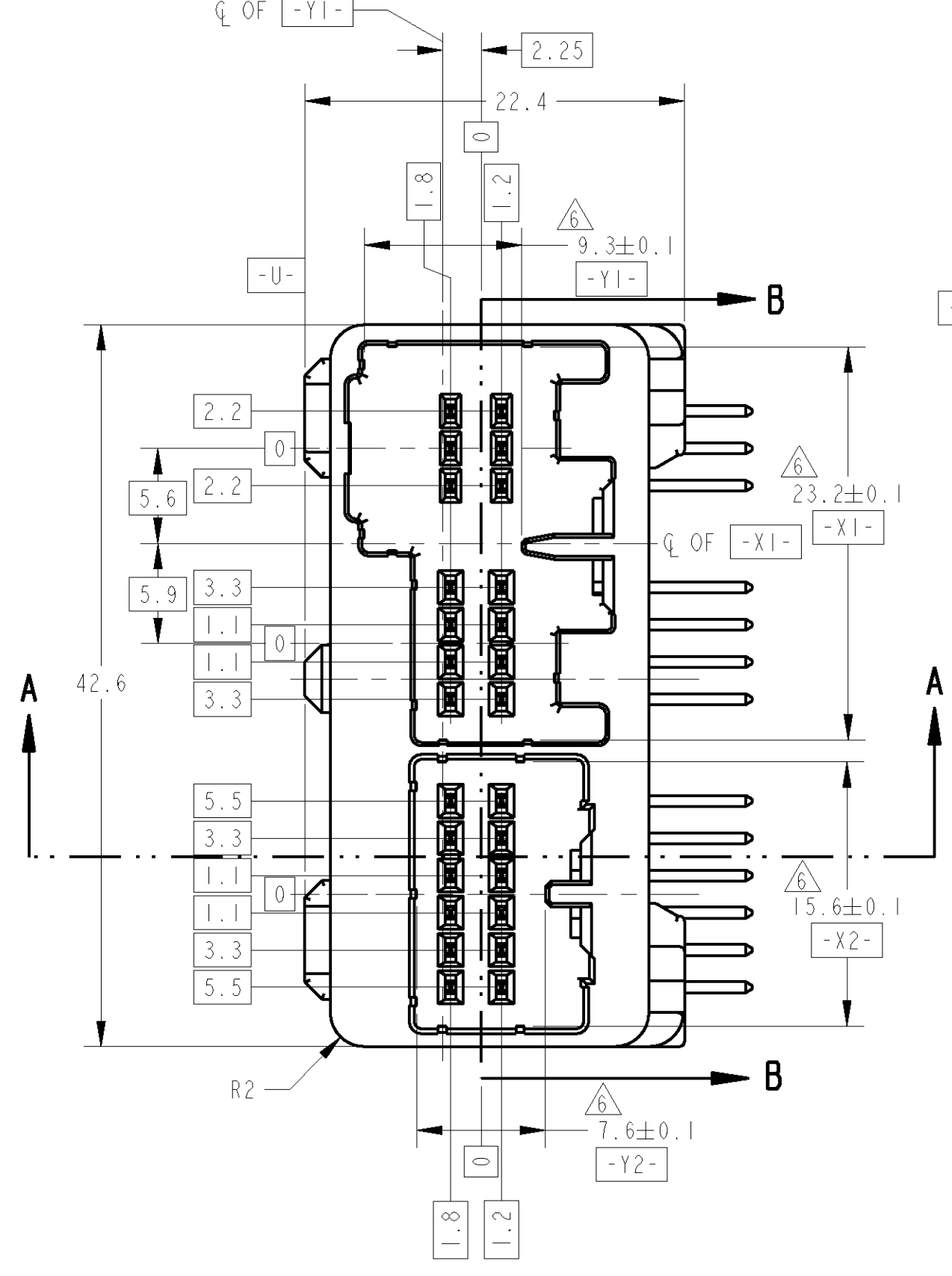
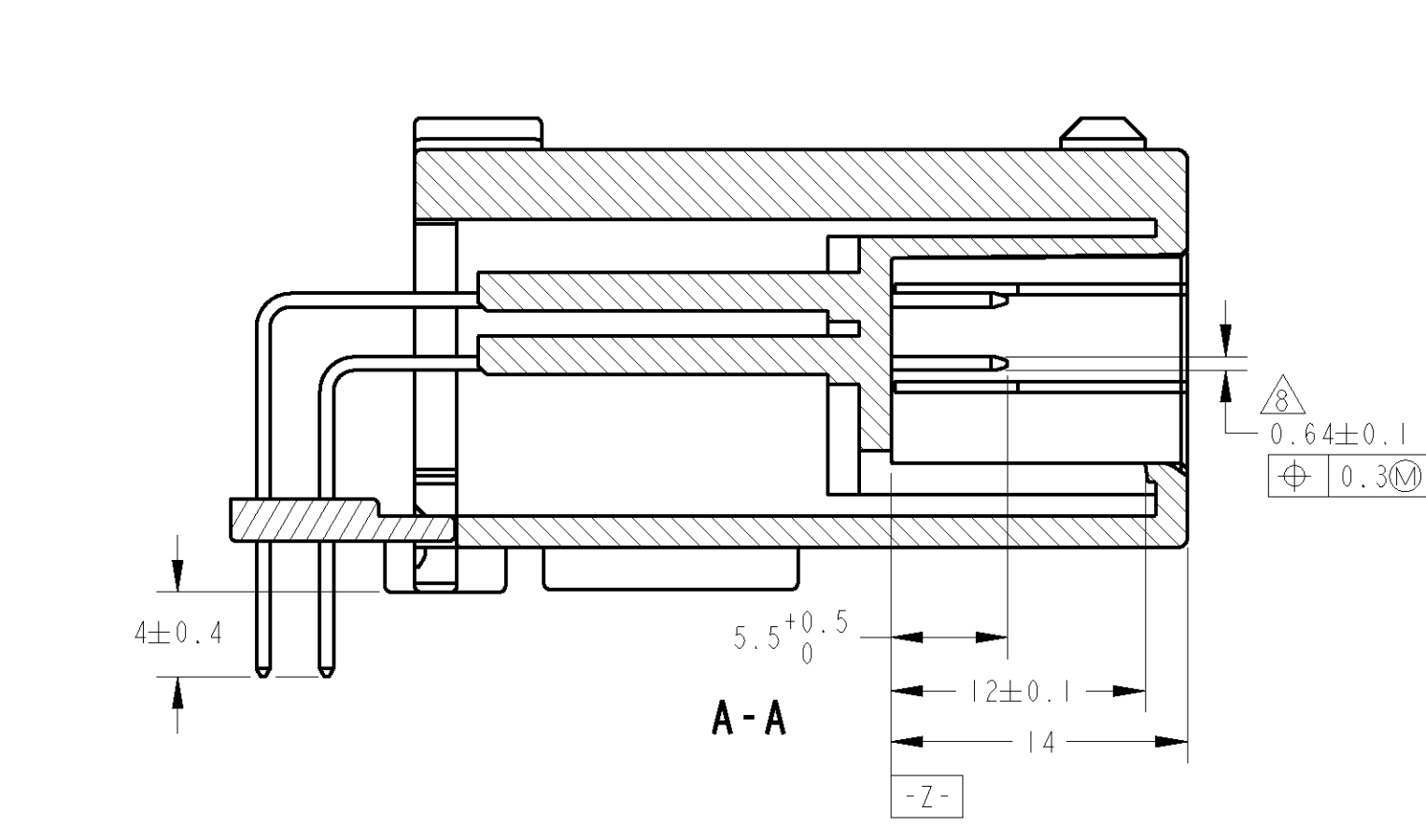
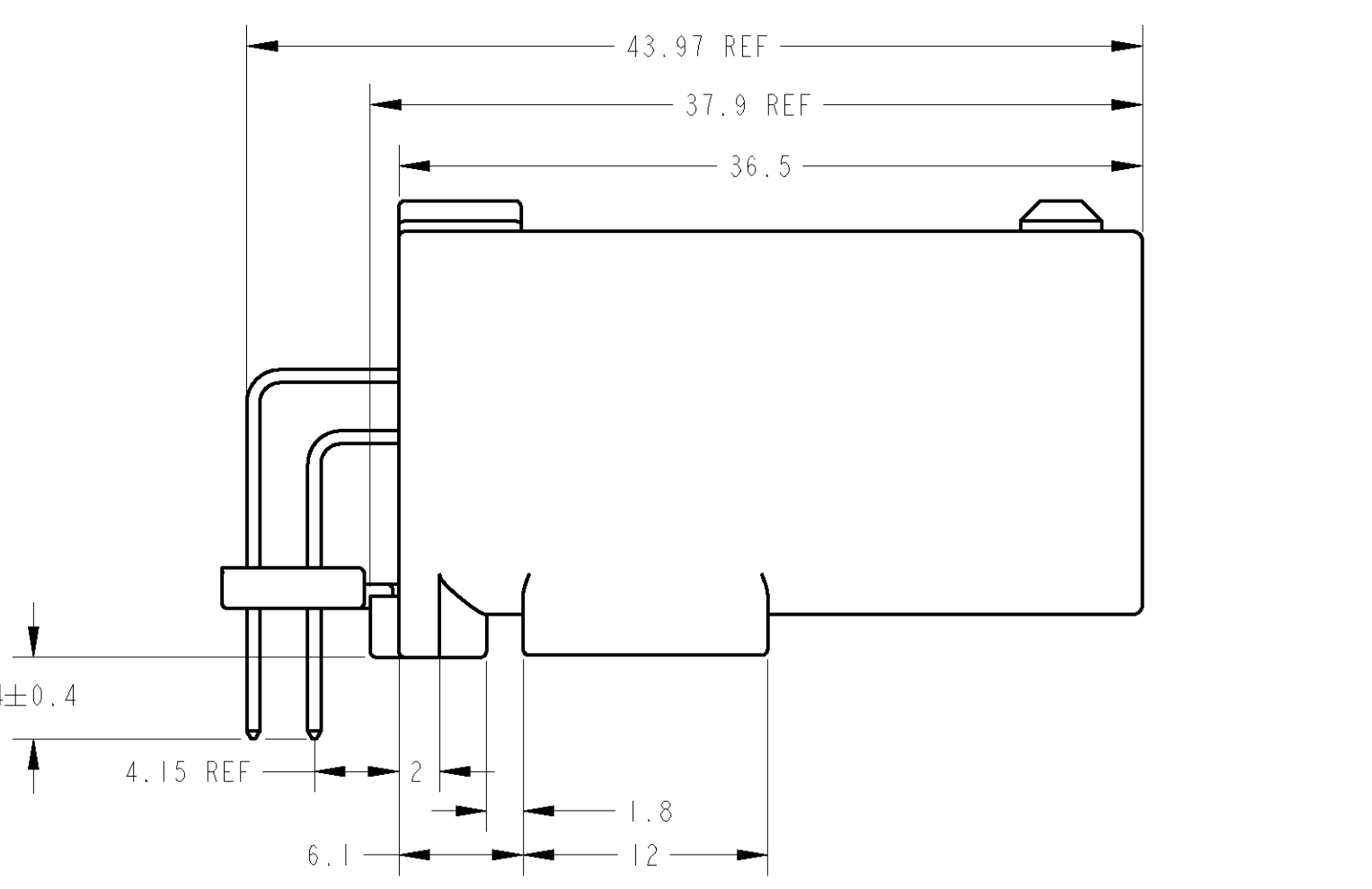
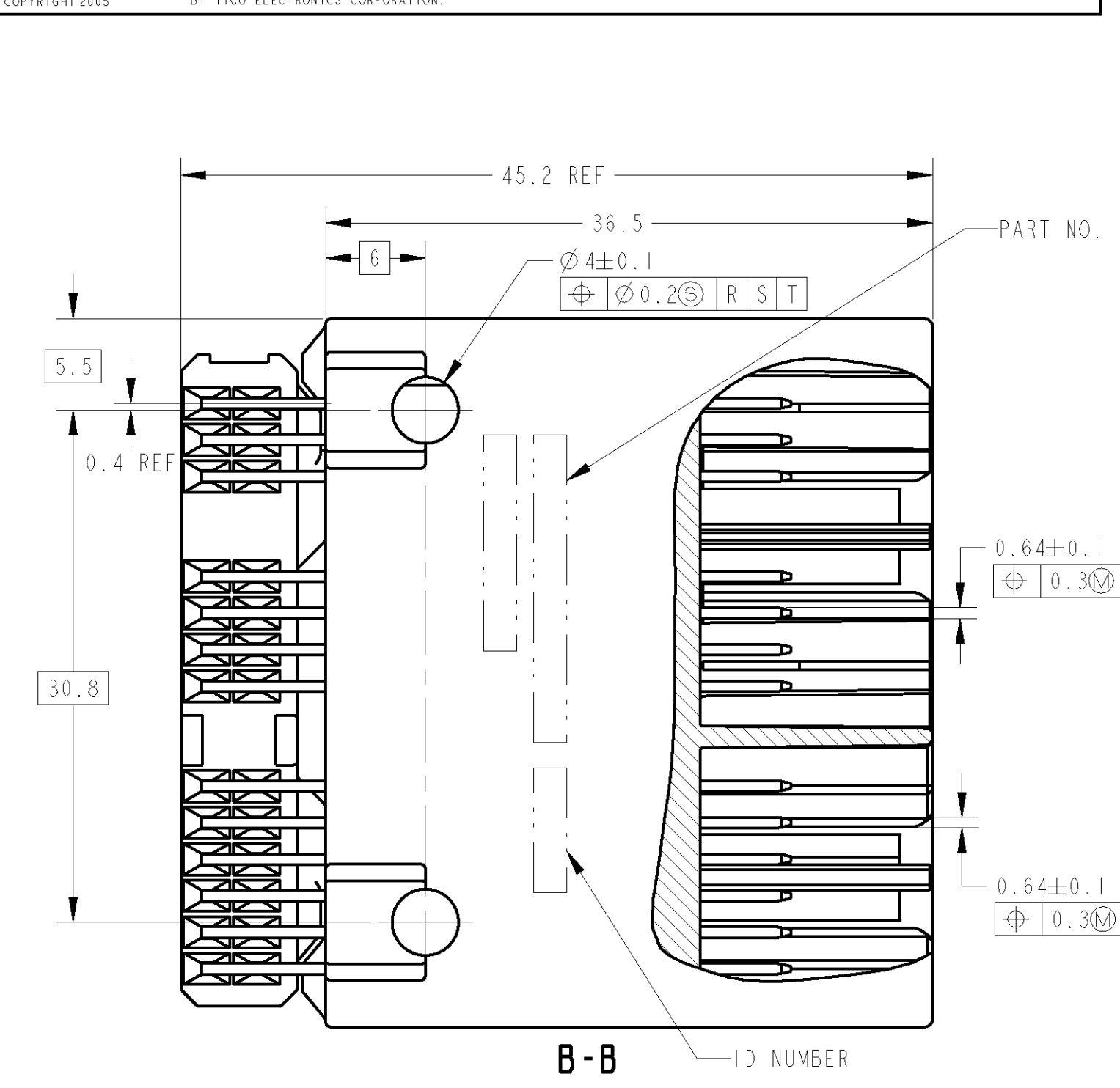
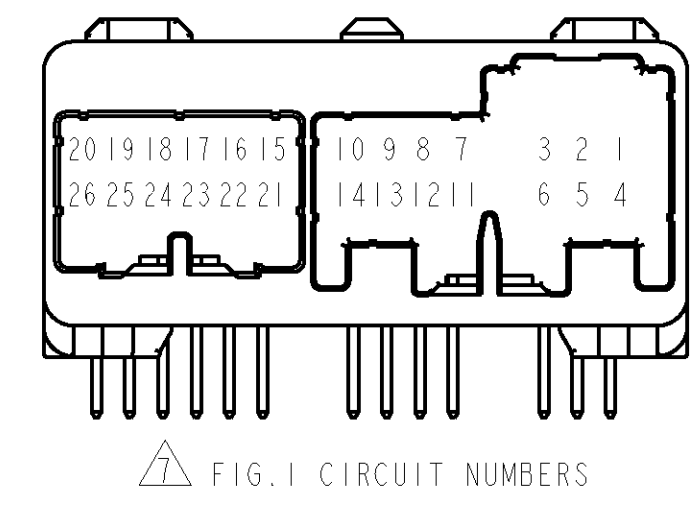


TABLE-1

プリント基板板厚 (mm) THICKNESS OF PCB (mm)	0.5~1.2	1.6~2.0
固定用ねじ着下長さ (mm) NOMINAL LENGTH OF SCREW (mm)	5	6



1. 取組相手コネクタ部品
6P: 1747085, 8P: 1747088, 12P: 1747375
 2. 本製品の取扱は、取扱説明書NO. 411-78150に従うこと。
 3. 適用プリント基板板厚: TABLE-1参照。
 4. 適用ねじ: JIS B1115, B1122 タンヘッド、平頭、径3mm、長さTABLE-1参照。
 5. ねじ締付トルク(参考): 0.392N・m以下。但し、管理値は別途規定すること。
 - △ [-Z-]より6mm(位置)にて測定。
 - △ 図面番号: FIG. 1参照
 - △ DTM: Yについて各 [-Y1-] [-Y2-] を各ブロック毎に適用
1. MATING CONNECTOR PART NO.
6P: 1747085, 8P: 1747088, 12P: 1747375
 2. HANDLING OF THIS PART SHOULD FOLLOW INSTRUCTION SHEET NO. 411-78150.
 3. APPLICABLE PRINTED CIRCUIT BOARD THICKNESS: SEE TABLE-1.
 4. APPLICABLE SCREW: JIS B1115, B1122, PAN-HEADED, TYPE2
 5. TAPPING SCREW OF NOMINAL DIAMETER 3mm. LENGTH: SEE TABLE-1.
 6. FASTENING TORQUE (FOR REFERENCE): 0.392 N·m MAX. BUT TORQUE FOR OPERATION SHOULD BE PROVIDED RESPECTIVELY.
 - △ MEASURED AT 6mm FROM [-Z-]
 - △ CIRCUIT NUMBER: SEE FIG. 1.
 - △ DTM: X IS [-X1-] [-X2-], DTM: Y IS [-Y1-] [-Y2-] FOR EACH BLOCK.

PAPER BOX タンボール箱	PLASTIC TUBE プラスチックチューブ	SELECTIVE TIN (MATTE)	9, 10, 13, 14	1-8, 11, 12 15-26	NATURAL	1747080-1
OUTER 外装	INNER 内装	SOLDERING SIDE 半田付側	SELECTIVE GOLD 接点側		COLOR 色	PART NUMBER 型番
PACKING STYLE 梱包形態		CONTACT FINISH コンタクト仕上				
DIMENSIONS: mm		TOLERANCES UNLESS OTHERWISE SPECIFIED: mm		DWN H. SHINDO CHK H. YAMAGAMI APVD 17FED2005		Tyco Electronics Tyco Electronics Corporation Kawasaki, Japan
MATERIAL HSG: SPS GF17 T/PLATE: PBT GF15 CONTACT: BRASS		FINISH SEE TABLE		NAME 0.64 26POS CONNECTOR CAP HOUSING ASSY		
		WEIGHT 18.1g		SIZE A1		RESTRICTED TO
		CUSTOMER DRAWING		SCALE 3:1		SHEET 1 OF 1