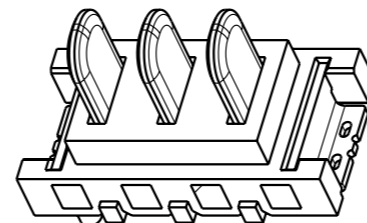
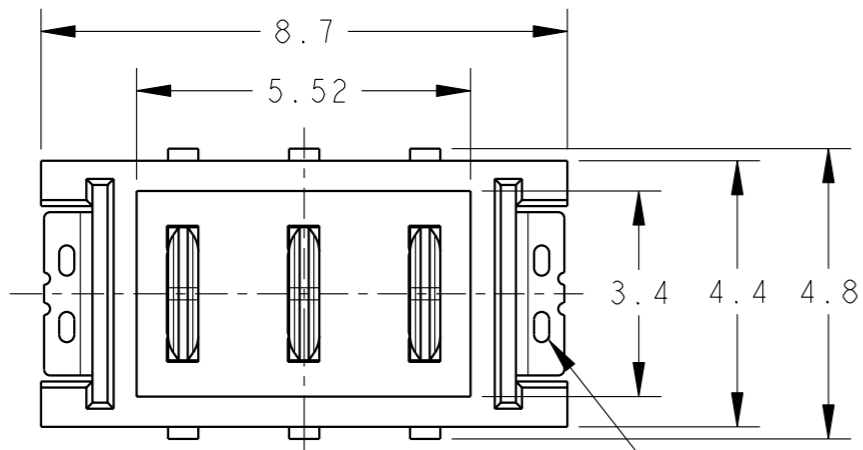
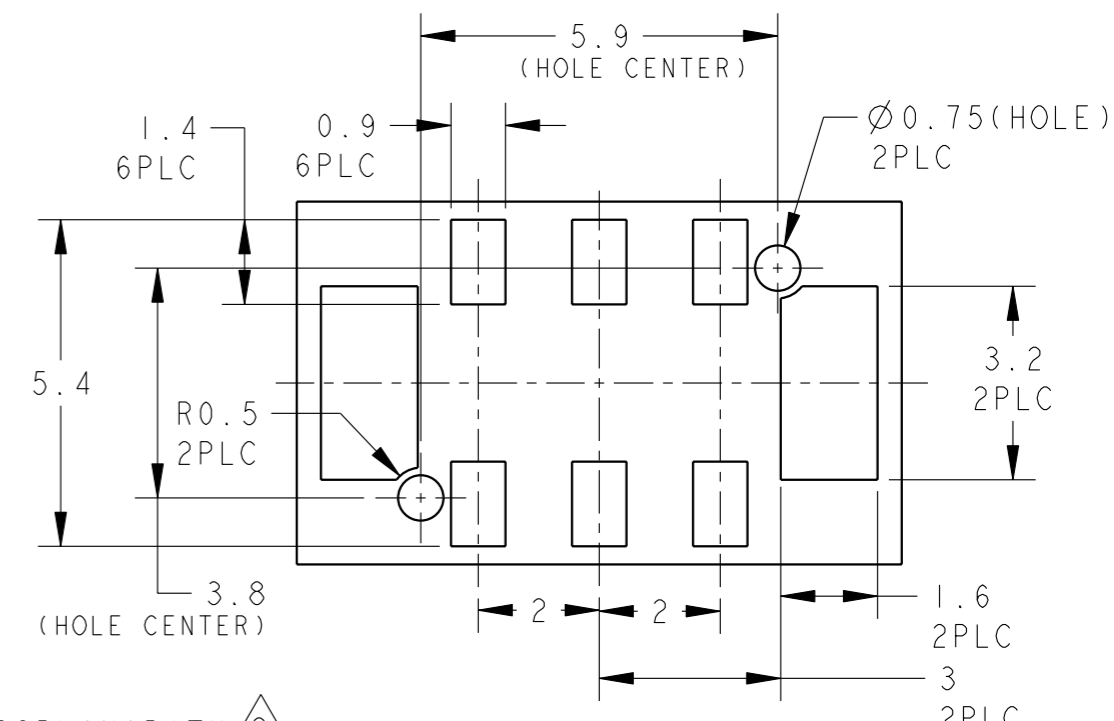
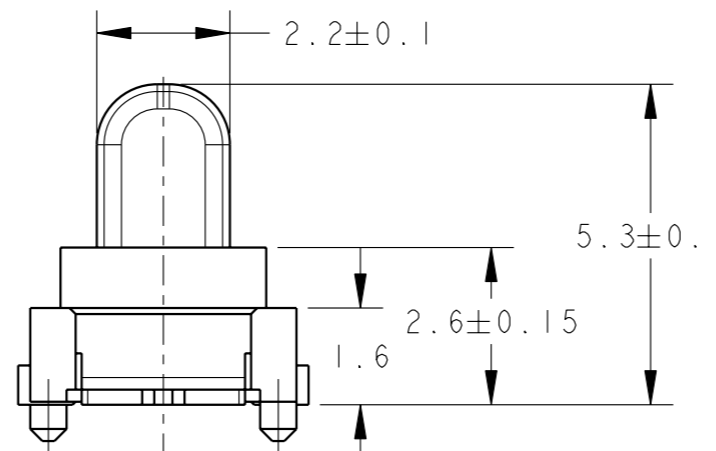
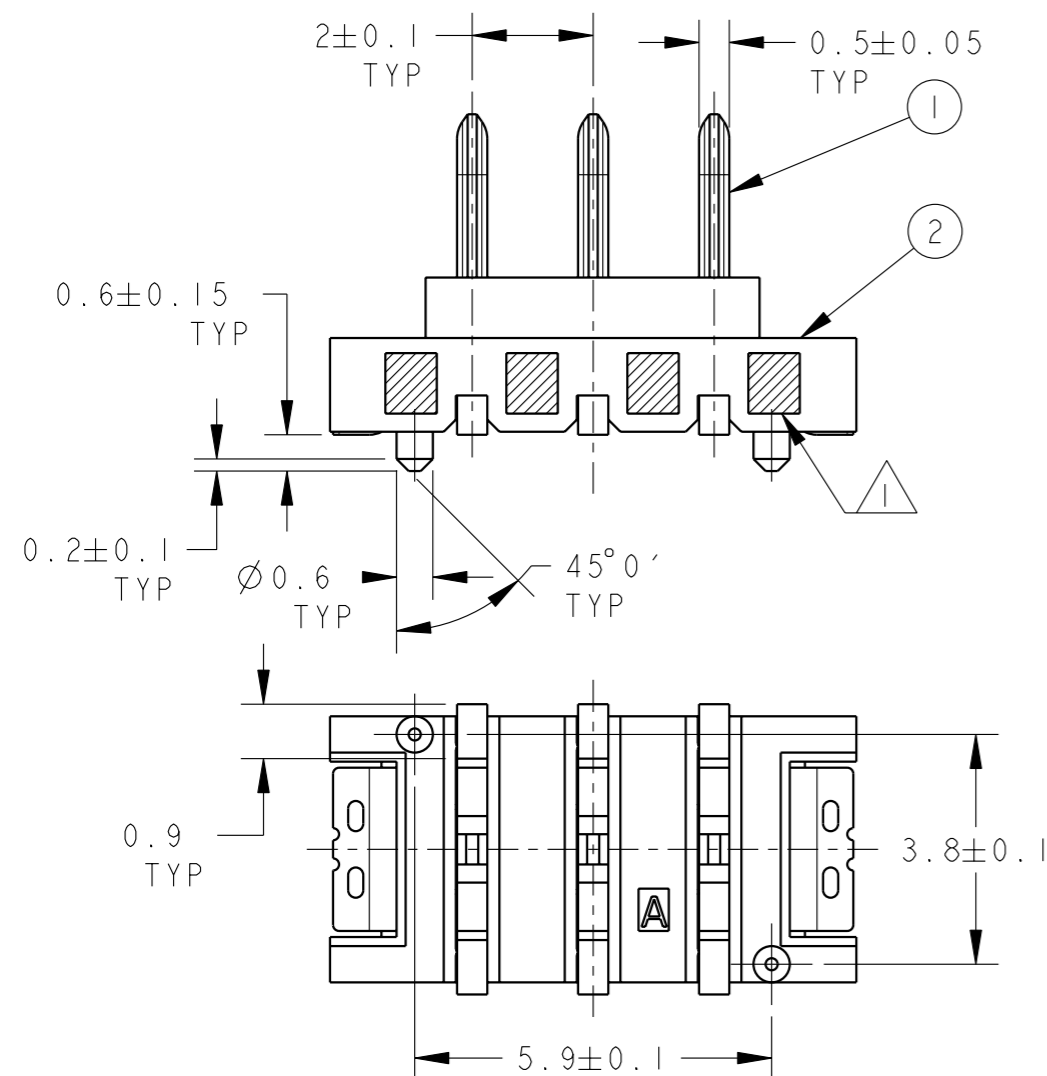


LOC	DIST	REVISIONS					
		P	LTR	DESCRIPTION	DATE	DWN	APVD
J	-		A	RELEASED	09MAY2012	C.O	T.K

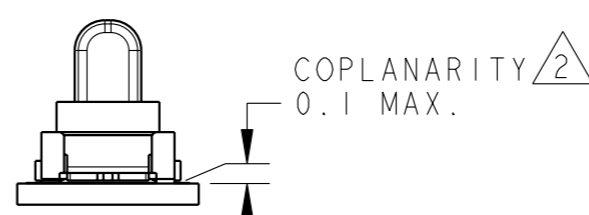


COMPONENT ITEM	QTY	MATERIAL	FINISH
① PLUG CONT	3	BRASS	ALL OVER Ni; 1.3μm MIN CONTACT POINT Au; 0.3μm MIN SOLDERING AREA Au; 0.05μm MIN
② HOUSING	1	THERMALPLASTIC	
③ SOLDER PEG	2	COPPER ALLOY	ALL OVER Ni; 1.3μm MIN Sn; 2μm MIN



① ADD DATE CODE


② MEASURE FROM BASE FLAT SURFACE TO BOTTOM OF TINE AND PEG COPLANARITY; 0.1MAX.



COPLANARITY ② 0.1 MAX.

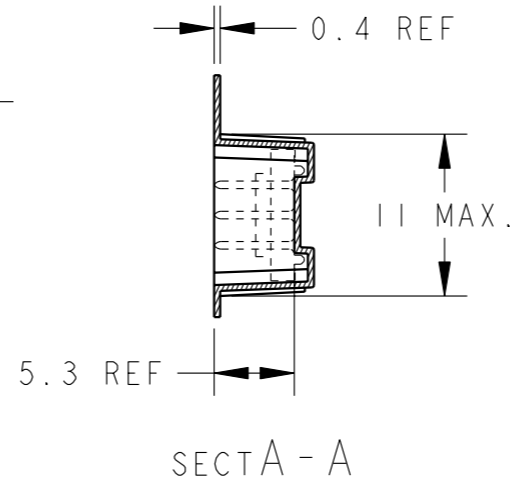
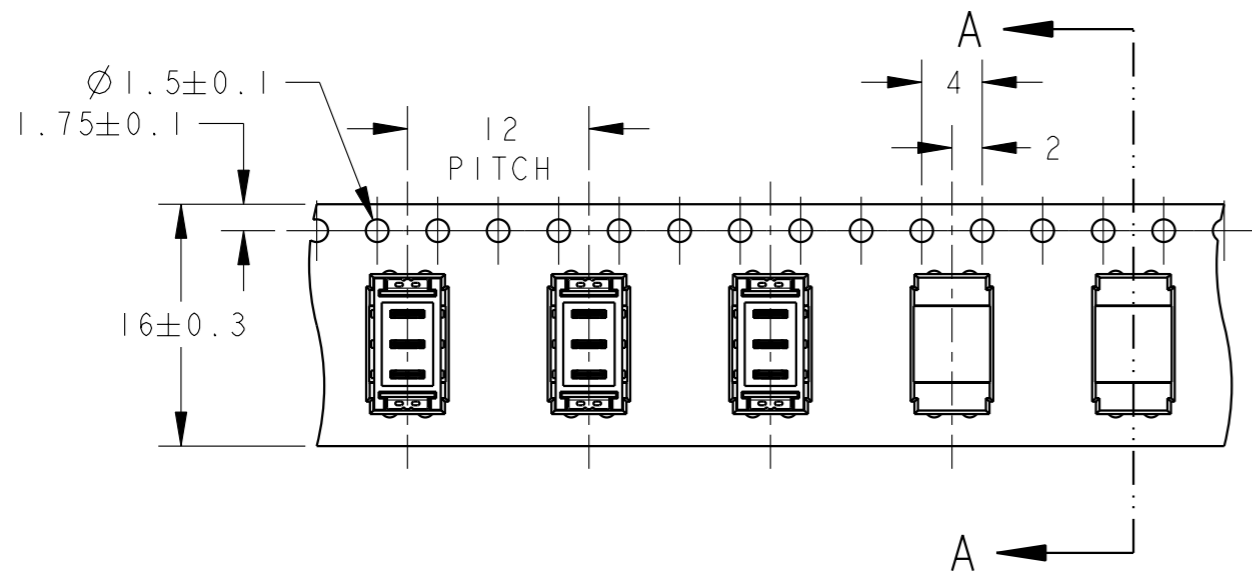
REFERENCE PWB DIMENSION GENERAL TOLERANCE; ±0.05

1747271-1; AS SHOWN

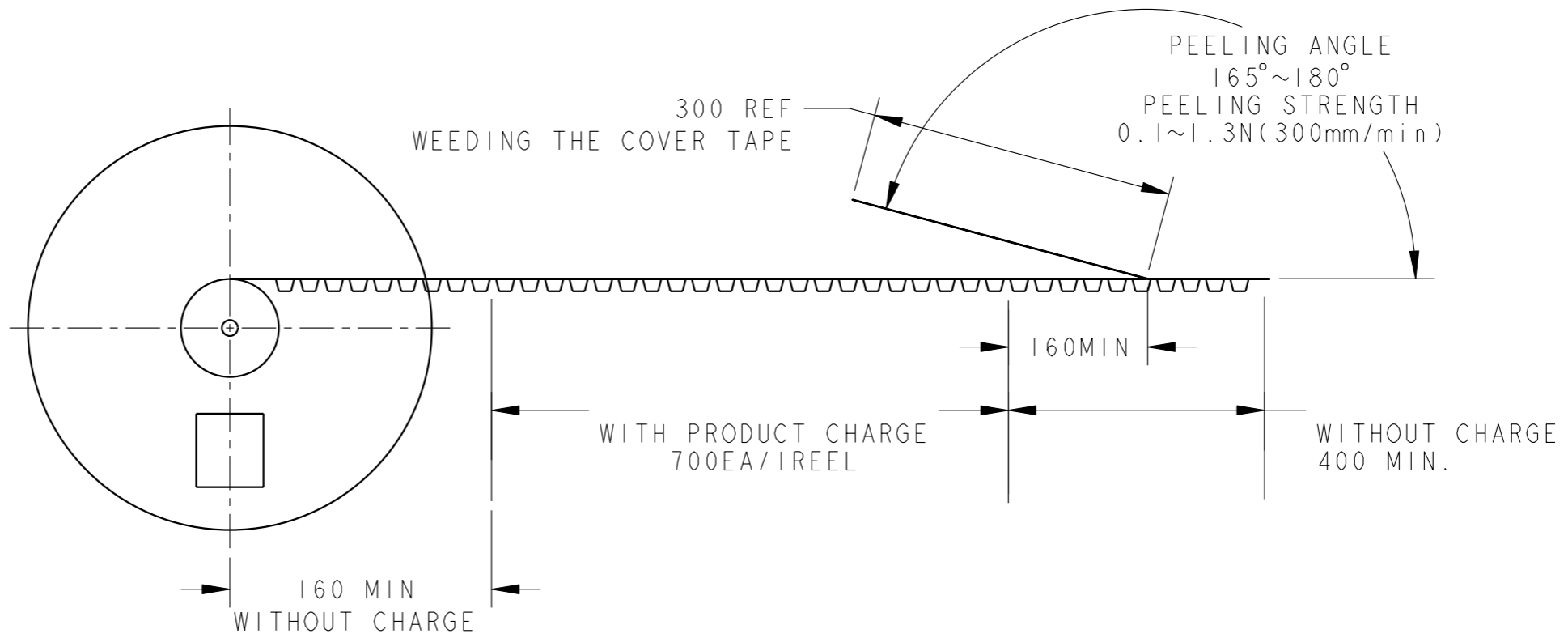
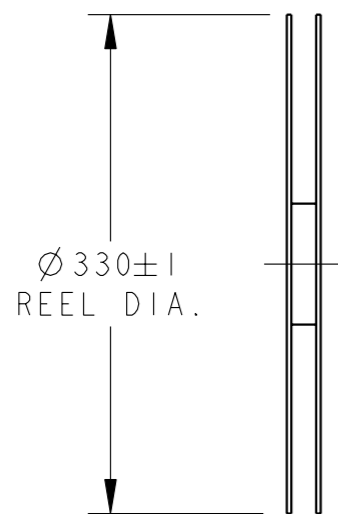
THIS DRAWING IS A CONTROLLED DOCUMENT.		DWN 09MAY2012 C. OHASHI	 TE Connectivity			
DIMENSIONS: 単位: 耗 mm		CHK 09MAY2012 S. KAJINUMA				
TOLERANCES UNLESS OTHERWISE SPECIFIED:		APVD 09MAY2012 T. KUSUHARA	NAME 名称 HIGH PROFILE BATTERY BLOCK CONNECTOR 3POS PLUG ASSY			
一般公差 ±0.2 0-PLC ± 1-PLC ± 2-PLC ± 3-PLC ± 4-PLC ± ANGLES ±2		PRODUCT SPEC 108-78178	SIZE A3	CAGE CODE 00779	DRAWING NO C-1747271	RESTRICTED TO
MATERIAL 材料 SEE TABLE		FINISH 仕上 SEE TABLE	WEIGHT 0.27g	SCALE NTS	SHEET 1 OF 2	REV A
CUSTOMER DRAWING						

THIS DRAWING IS UNPUBLISHED. RELEASED FOR PUBLICATION 2004
 © COPYRIGHT 2004 BY Tyco Electronics Japan G.K. ALL RIGHTS RESERVED.

LOC	DIST	REVISIONS					
		P	LTR	DESCRIPTION	DATE	DWN	APVD
J	-	-	-	SEE SHEET 1	-	-	-



- | ; AS SHOWN
 - | ; 本図



THIS DRAWING IS A CONTROLLED DOCUMENT.		DWN	STE TE Connectivity	
DIMENSIONS: 単位: 耗 mm		CHK		
TOLERANCES UNLESS OTHERWISE SPECIFIED: 一般公差 ±0.2		APVD	NAME 名称 HIGH PROFILE BATTERY BLOCK CONNECTOR 3POS PLUG ASSY	
0-PLC ±		PRODUCT SPEC 製品規格	SIZE 3 00779 C-1747271	
1-PLC ±		APPLICATION SPEC 取付適用規格	CAGE CODE 00779	
2-PLC ±		WEIGHT	DRAWING NO 1747271	
3-PLC ±		CUSTOMER DRAWING	RESTRICTED TO -	
4-PLC ±			SCALE 尺度 NTS SHEET 2 OF 2 REV A	
ANGLES ±2				
FINISH 仕上				
MATERIAL 材料				