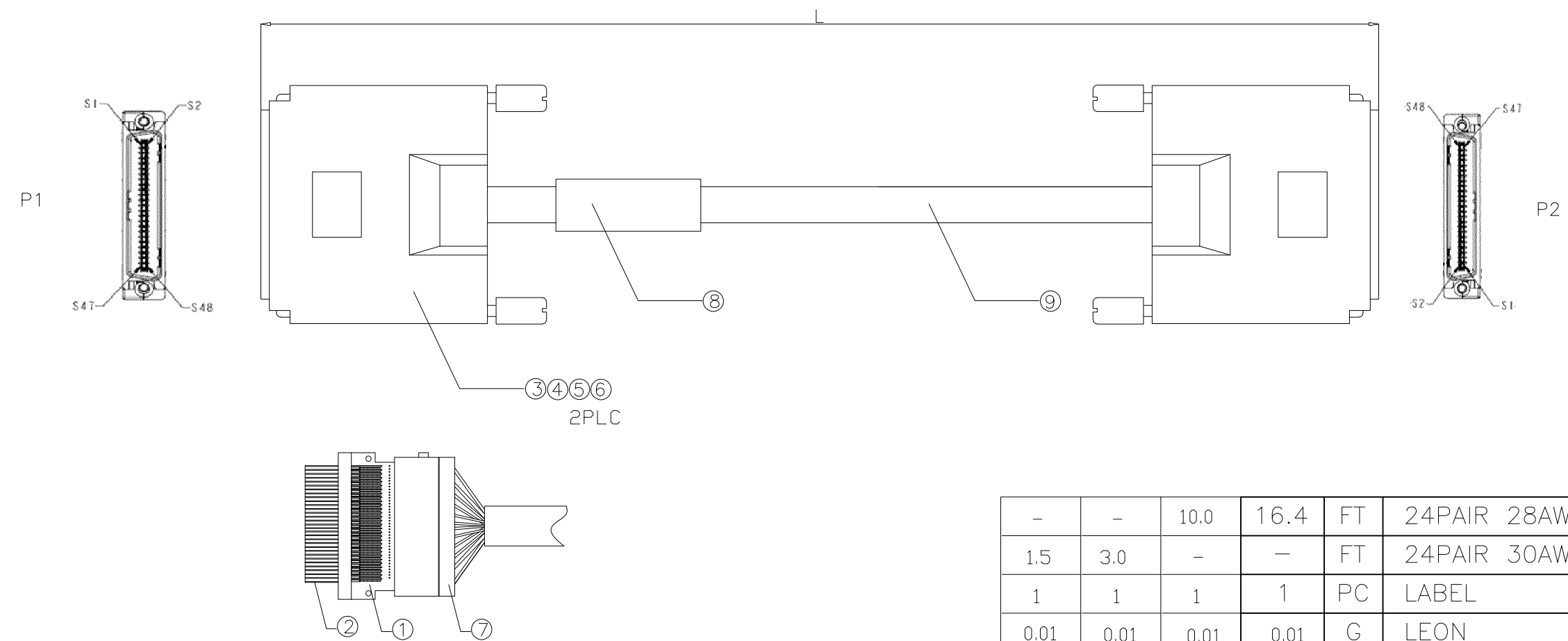


THIS DRAWING IS UNPUBLISHED. RELEASED FOR PUBLICATION  
 © COPYRIGHT - BY TYCO ELECTRONICS CORPORATION. ALL RIGHTS RESERVED.

LOC	DIST	REVISIONS			
P	LTR	DESCRIPTION	DATE	DWN	APVD
GP	00	F	Revise AVAYA revision from 01 to 02	5-Jan-11	S.Z B.G
		E	Logo Change	24MAY10	CL LZ
		D	Change shell of 1750963-1/-2	05AUG09	CL LZ
		C	BOM change	14JAN09	CL LZ



PRODUCT AND PROCESSING MUST MEET REQUIREMENTS OF TYCO ELECTRONICS STANDARD **TEC-138-702**.

QTY	UNIT	DESCRIPTION	ITEM
-	-	10.0 16.4 FT 24PAIR 28AWG	9
1.5	3.0	- FT 24PAIR 30AWG	9
1	1	1 1 PC LABEL	8
0.01	0.01	0.01 0.01 G LEON	7
4	4	4 4 PC SHORT SCREW	6
4	4	4 4 PC LONG SCREW	5
4	4	4 4 PC SPRING	4
2	2	2 2 PC SHELL	3
2	2	- - PC CLIP	2
2	2	2 2 PC SMT CONNECTOR WITH PCB	1
-5	-4	-2 -1 U/M DESCRIPTION	ITEM

THIS DRAWING IS A CONTROLLED DOCUMENT.		DWN Steven Zheng 5-Jan-11	Tyco Electronics Tyco Electronics Corporation Harrisburg, PA 17105-3608	
DIMENSIONS: mm [INCHES]		CHK Steven Zheng 5-Jan-11	NAME 12X INFINIBAND CABLE	
TOLERANCES UNLESS OTHERWISE SPECIFIED: 0 PLC ± - 1 PLC ± - 2 PLC ± - 3 PLC ± - 4 PLC ± - ANGLES ± -		APVD Bill Gooch 5-Jan-11	PRODUCT SPEC -	
MATERIAL -		FINISH -	APPLICATION SPEC -	RESTRICTED TO -
		WEIGHT -	SIZE A3	CAGE CODE 00779
		DRAWING NO C-1750963		SCALE N.T.S.
		CUSTOMER DRAWING		SHEET 1 OF 3
				REV F

THIS DRAWING IS UNPUBLISHED.

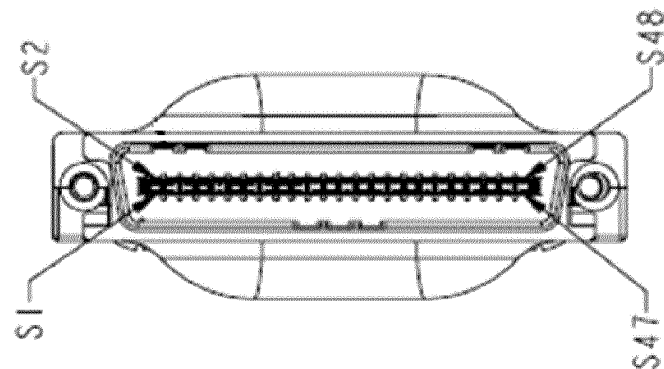
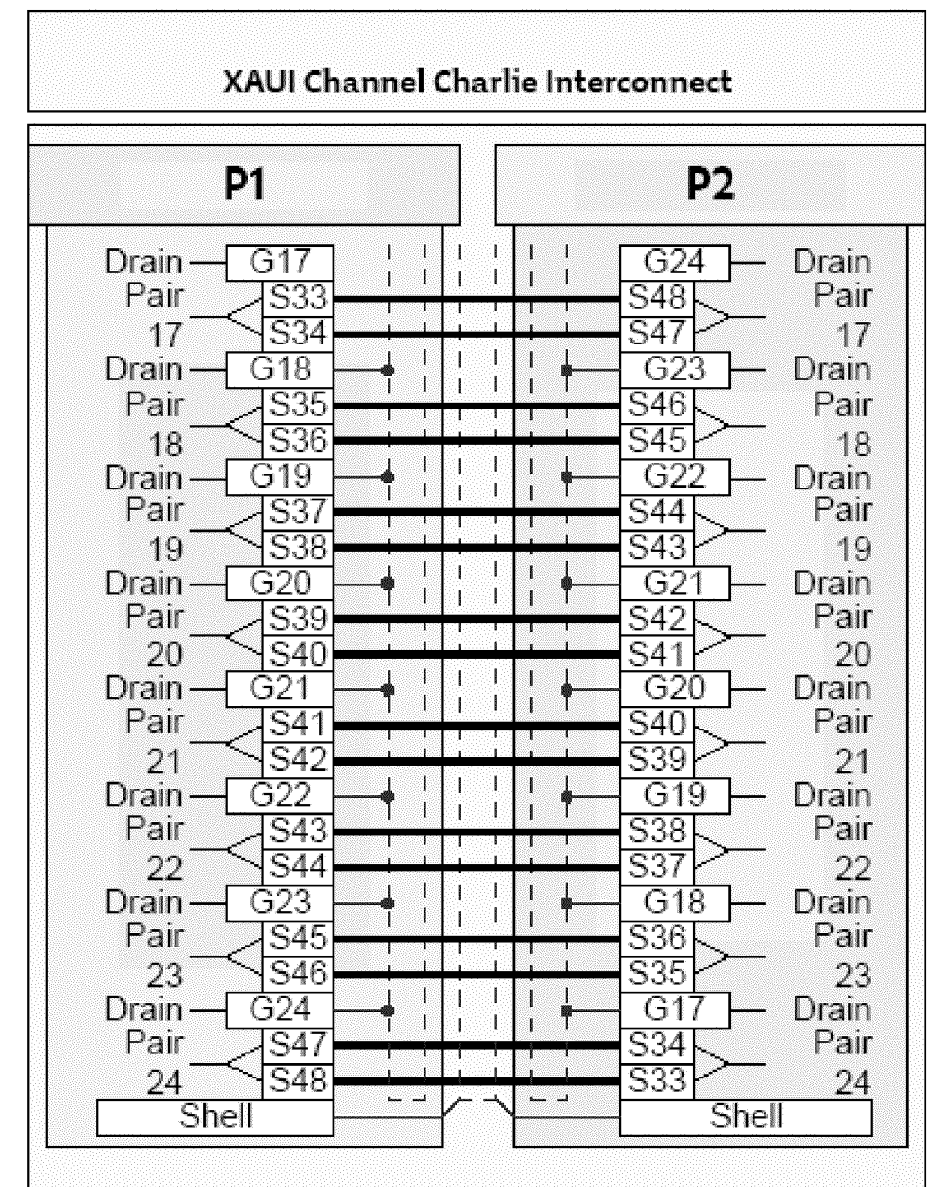
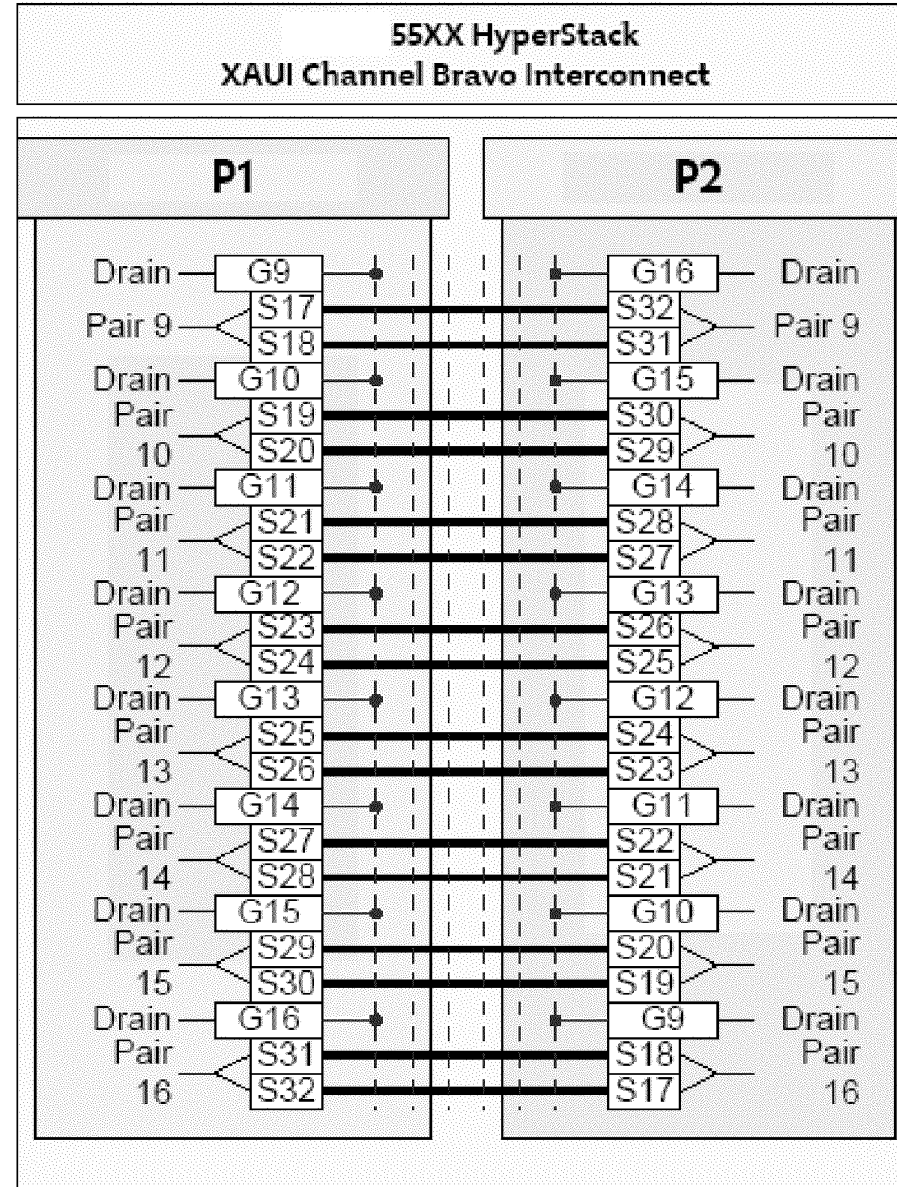
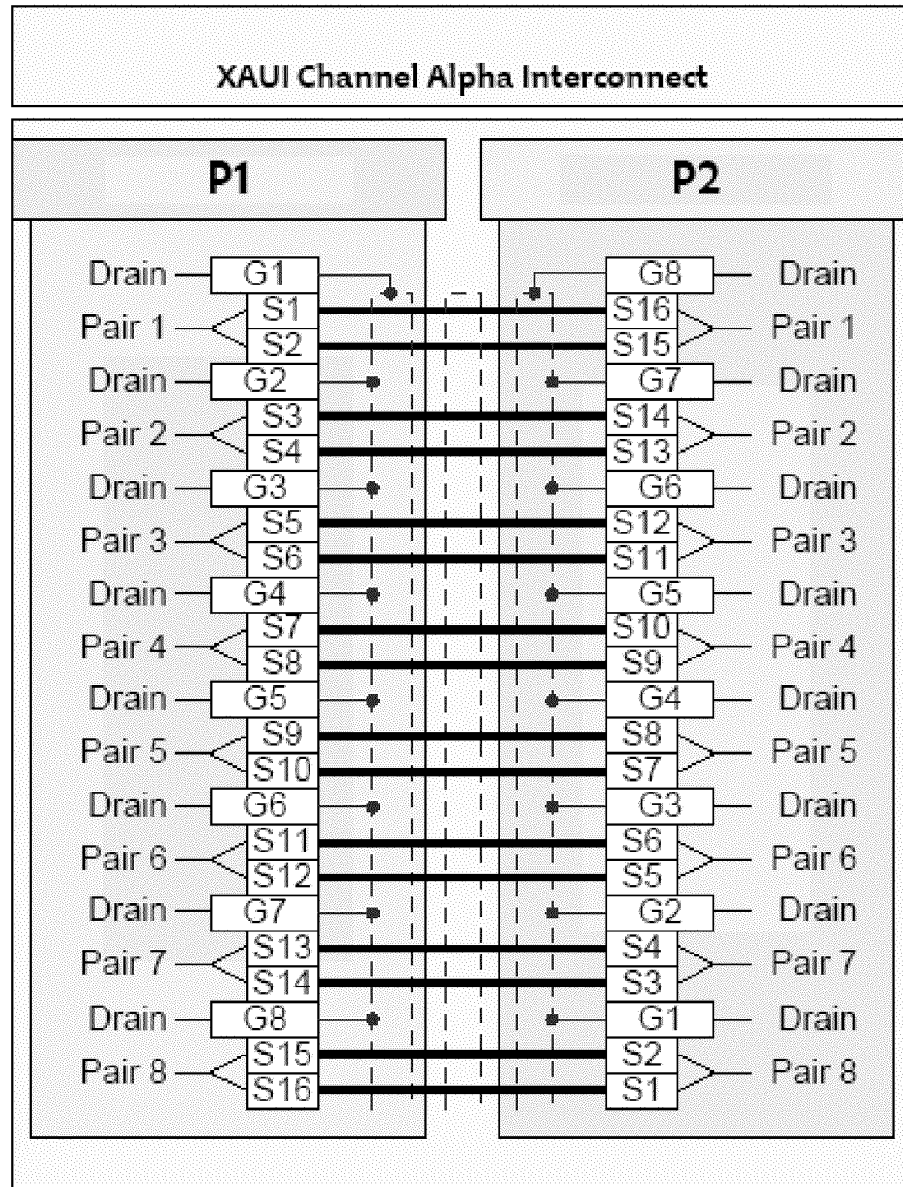
RELEASED FOR PUBLICATION

LOC GP DIST 00

REVISIONS

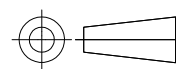
© COPYRIGHT BY TYCO ELECTRONICS CORPORATION. ALL RIGHTS RESERVED.

P	LTR	DESCRIPTION	DATE	DWN	APVD
-	-	SEE SHEET 1	-	-	-



THIS DRAWING IS A CONTROLLED DOCUMENT.

DIMENSIONS:  
mm [INCHES]



TOLERANCES UNLESS OTHERWISE SPECIFIED:

0 PLC	± -
1 PLC	± -
2 PLC	± -
3 PLC	± -
4 PLC	± -
ANGLES	± -
FINISH	-

MATERIAL

DWN Steven Zheng 5-Jan-11

CHK Steven Zheng 5-Jan-11

APVD Bill Gooch 5-Jan-11

PRODUCT SPEC -

APPLICATION SPEC -

WEIGHT -

CUSTOMER DRAWING

Tyco Electronics Corporation  
 Harrisburg, PA 17105-3608

NAME 12X INFIBAND CABLE  
 SIZE A3 CAGE CODE 00779 DRAWING NO. C-1750963 RESTRICTED TO -

SCALE N.T.S. SHEET 2 of 3 REV F

THIS DRAWING IS UNPUBLISHED. RELEASED FOR PUBLICATION  
 © COPYRIGHT - BY TYCO ELECTRONICS CORPORATION. ALL RIGHTS RESERVED.

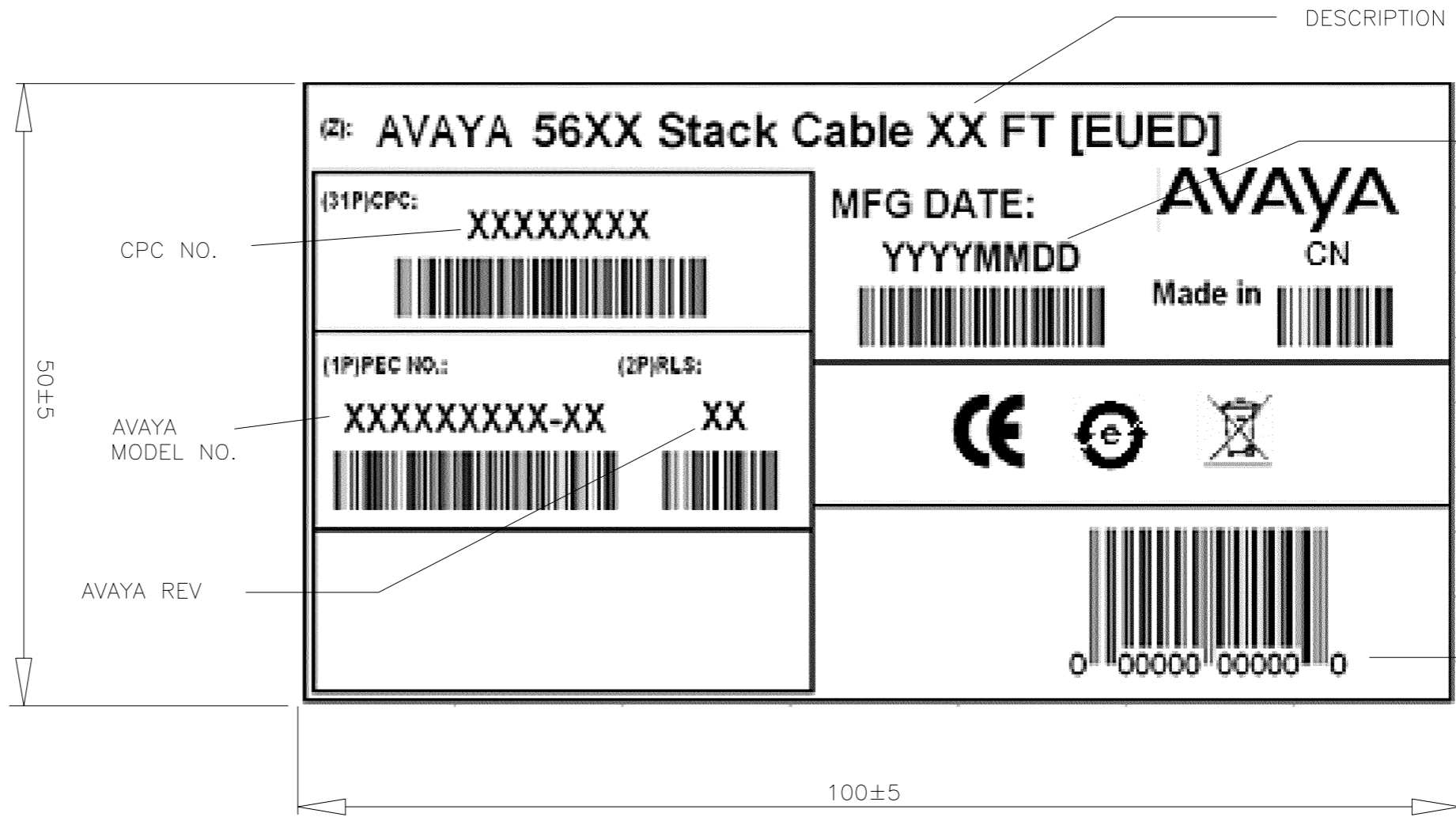
LOC	DIST	REVISIONS					
GP	00	P	LTR	DESCRIPTION	DATE	DWN	APVD
		-		SEE SHEET 1	-	-	-

TYCO P/N	AVAYA CPC	AVAYA MODEL NO.	LENGTH	DESCRIPTION	UPC	WEEE WEIGHT	PACKAGE WEIGHT	INDIV PACK DIM	PACKAGE STYLE	AVAYA REV
1750963-1	N0159912	AL2018027-E6	16.4FT ± 100INCH	56XX Stack Cable 16.4FT	056097 06889 8	1000G	1060G	350mmH*350mmW*H:100mm	1 PER BOX	02
1750963-2	N0159911	AL2018026-E6	10FT ± 4.0 INCH	56XX Stack Cable 10.0FT	056097 06888 1	800G	840G	350mmH*350mmW*H:100mm	1 PER BOX	02
1750963-4	N0159904	AL2018025-E6	3FT ± 1.0 INCH	56XX Stack Cable 3.0FT	056097 06887 4	300G	300G	381mmH*305mmW*H:50mm	BAG	02
1750963-5	N0159903	AL2018024-E6	1.5 FT ± 1.0 INCH	56XX Stack Cable 1.5FT	056097 06886 7	230G	230G	315mmH*230mmW*H:45mm	BAG	02

- NOTES:
- 100% OPEN, SHORT & MIS-WIRE TEST :  
 HI-POT : 300VDC, 0.1 SEC  
 CONDUCTOR RESISTANCE :10 OHM MAX  
 INSULATION RESISTANCE : 5M OHMS
  - LABEL INFORMATION
  - CHINA RoHS COMPLIANT.
  - PACKING LABEL INFORMATION:

AVAYA MODEL NO.  
 TYCO PART REVISION  
 TYCO P/N  
 WW/YY  
 MADE IN CHINA

YY-YEAR  
 WW-WEEK



THIS DRAWING IS A CONTROLLED DOCUMENT.		DWN	Steven Zheng	5-Jan-11	Tyco Electronics Corporation Harrisburg, PA 17105-3608		
DIMENSIONS: mm [INCHES]		CHK	Steven Zheng	5-Jan-11	NAME 12X INFINBAND CABLE		
TOLERANCES UNLESS OTHERWISE SPECIFIED:		APVD	Bill Gooch	5-Jan-11	PRODUCT SPEC		
0 PLC ± -		PRODUCT SPEC		APPLICATION SPEC		RESTRICTED TO	
1 PLC ± -		APPLICATION SPEC		SIZE	CAGE CODE	DRAWING NO	
2 PLC ± -		MATERIAL		A3	00779	C-1750963	
3 PLC ± -		FINISH		CUSTOMER DRAWING			
4 PLC ± -		MATERIAL		SCALE	SHEET	REV	
ANGLES ± -		MATERIAL		N.T.S.	3 OF 3	F	
FINISH		MATERIAL		SHEET 3 OF 3			