

4

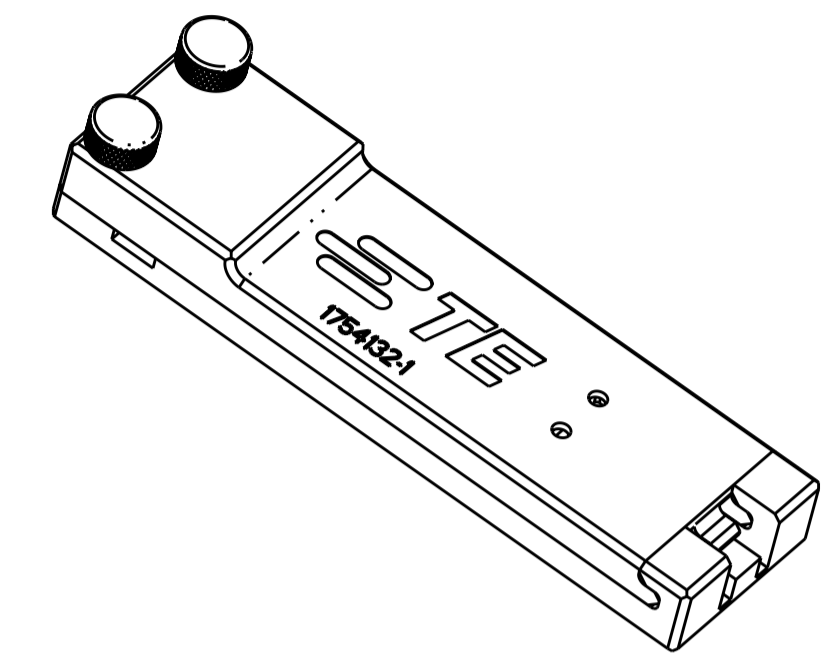
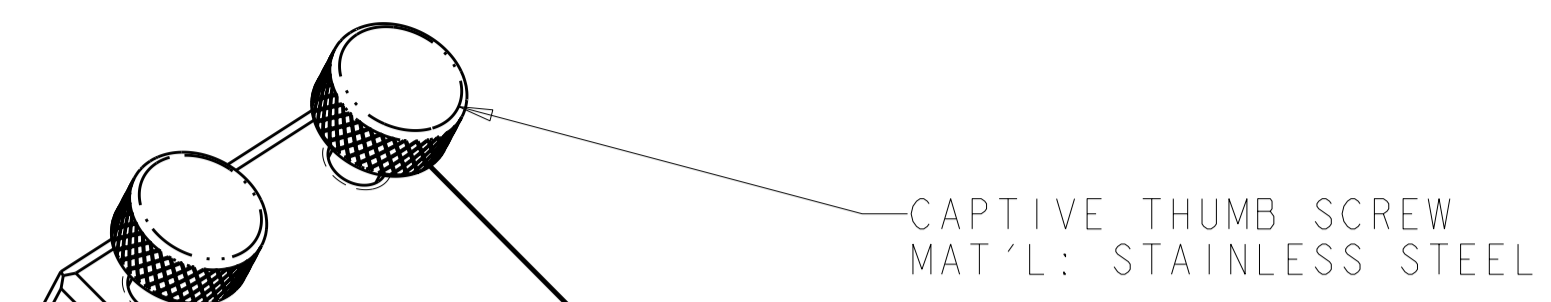
3

2

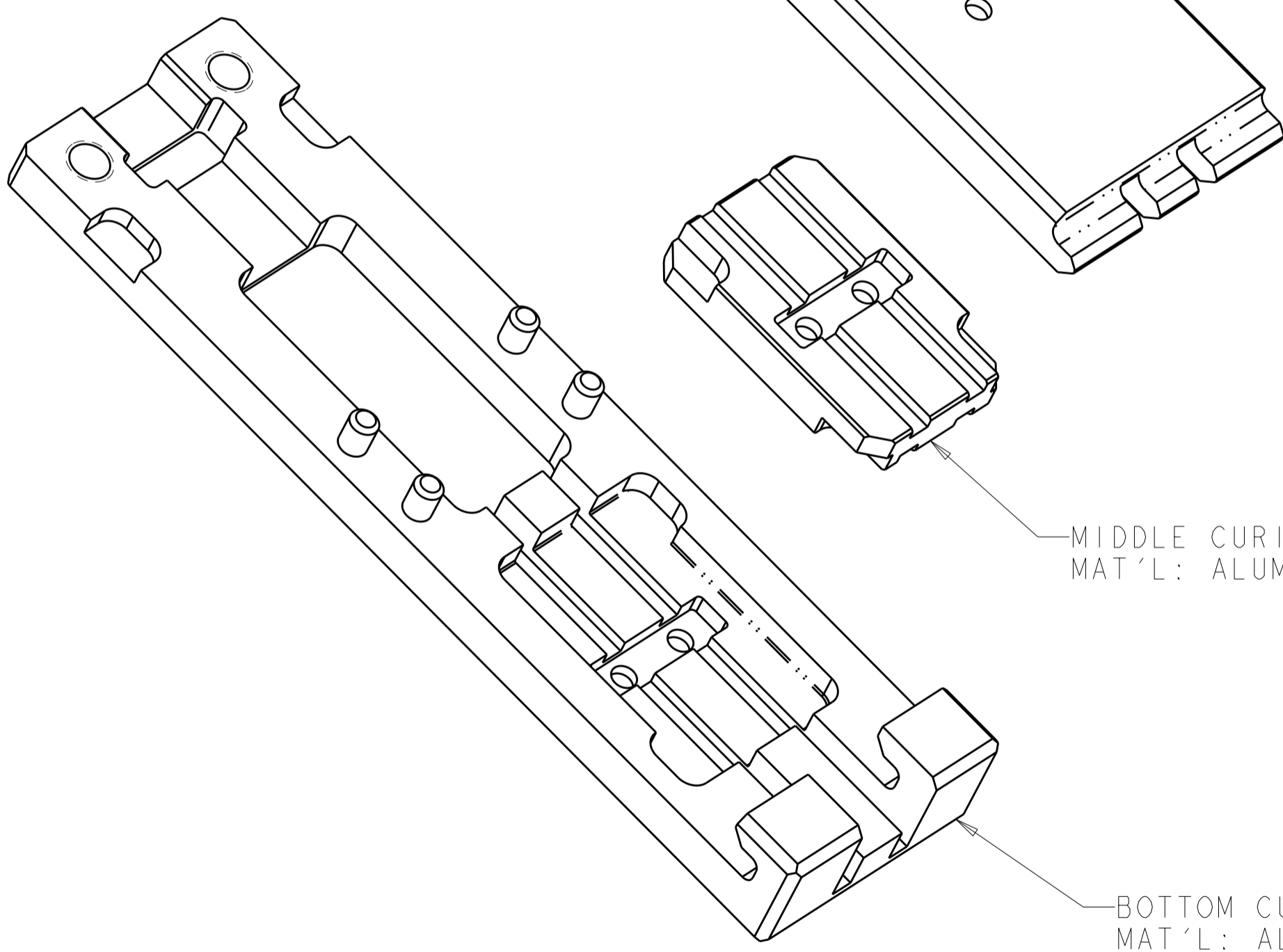
1

THIS DRAWING IS UNPUBLISHED. RELEASED FOR PUBLICATION 20  
 © COPYRIGHT 20 BY - ALL RIGHTS RESERVED.

LOC	DIST	REVISIONS			
P	LTR	DESCRIPTION	DATE	DWN	APVD
CE	16	B	ECR-06-007730	02MAY06	KG DW
		C	ECR-11-011573	06JUN2011	KG DW

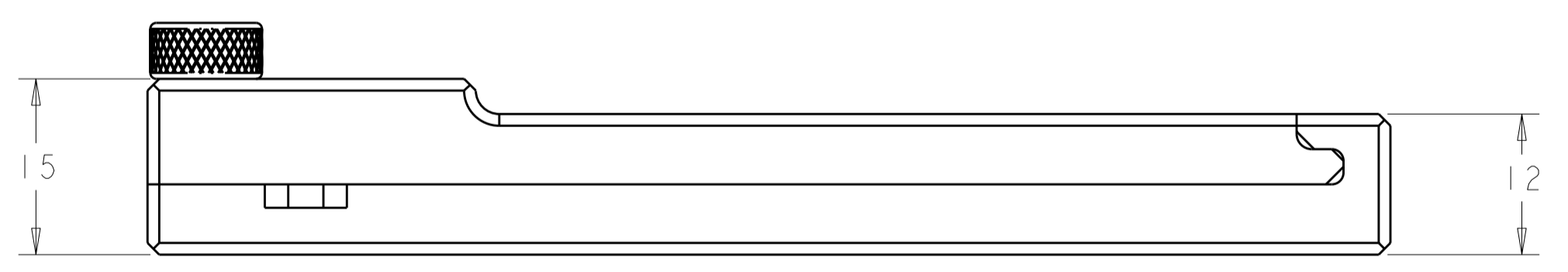
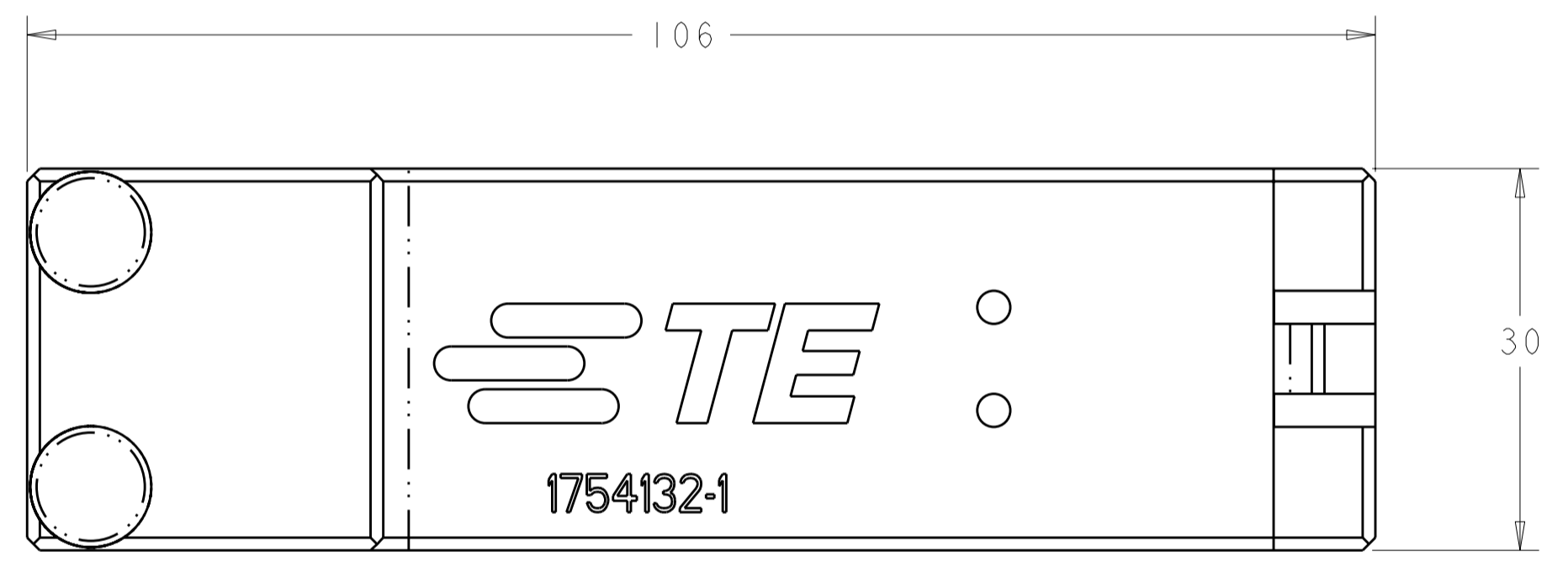


TOP CURING BLOCK  
 MAT'L: ALUMINUM ALLOY



MIDDLE CURING BLOCK  
 MAT'L: ALUMINUM ALLOY

BOTTOM CURING BLOCK  
 MAT'L: ALUMINUM ALLOY



- ALL DIMENSIONS ARE FOR REFERENCE ONLY.
- USE THIS CURING FIXTURE WHEN TERMINATING FERRULES FOR PRO BEAM SR. PLUG CONNECTOR.

1754132-1  
 PART NUMBER

THIS DRAWING IS A CONTROLLED DOCUMENT.		DWN K. GLATFELTER 20NOV2003	TE Connectivity	
DIMENSIONS: mm		CHK D. WERTMAN 10DEC2003		
TOLERANCES UNLESS OTHERWISE SPECIFIED:		APVD D. WERTMAN 15DEC2003	NAME CURING FIXTURE PLUG, PRO BEAM SR.	
0 PLC ± 1 PLC ± 2 PLC ± 3 PLC ± 4 PLC ± ANGLES ± FINISH		PRODUCT SPEC -	SIZE A200779	
MATERIAL AS LISTED		APPLICATION SPEC -	DRAWING NO C-1754132	
HARD ANODIZE (AL ONLY)		WEIGHT -	RESTRICTED TO -	
CUSTOMER DRAWING		SCALE 2:1	SHEET 1 OF 1 REV C	