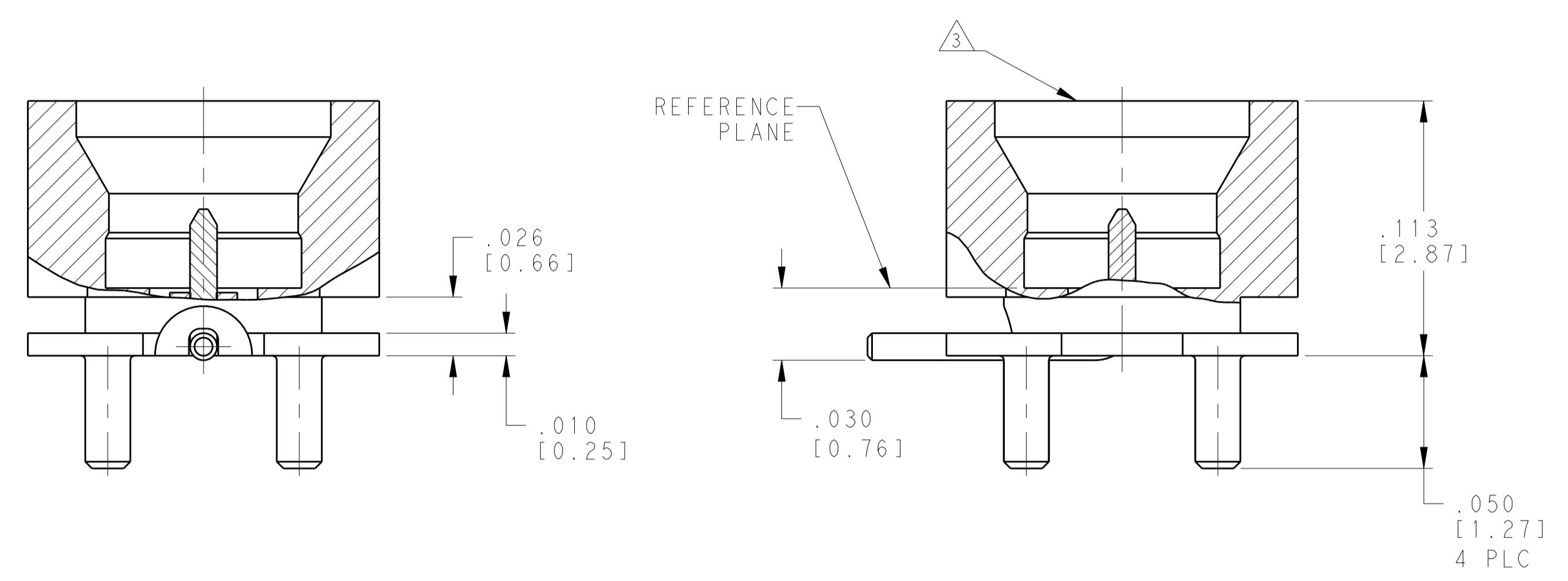
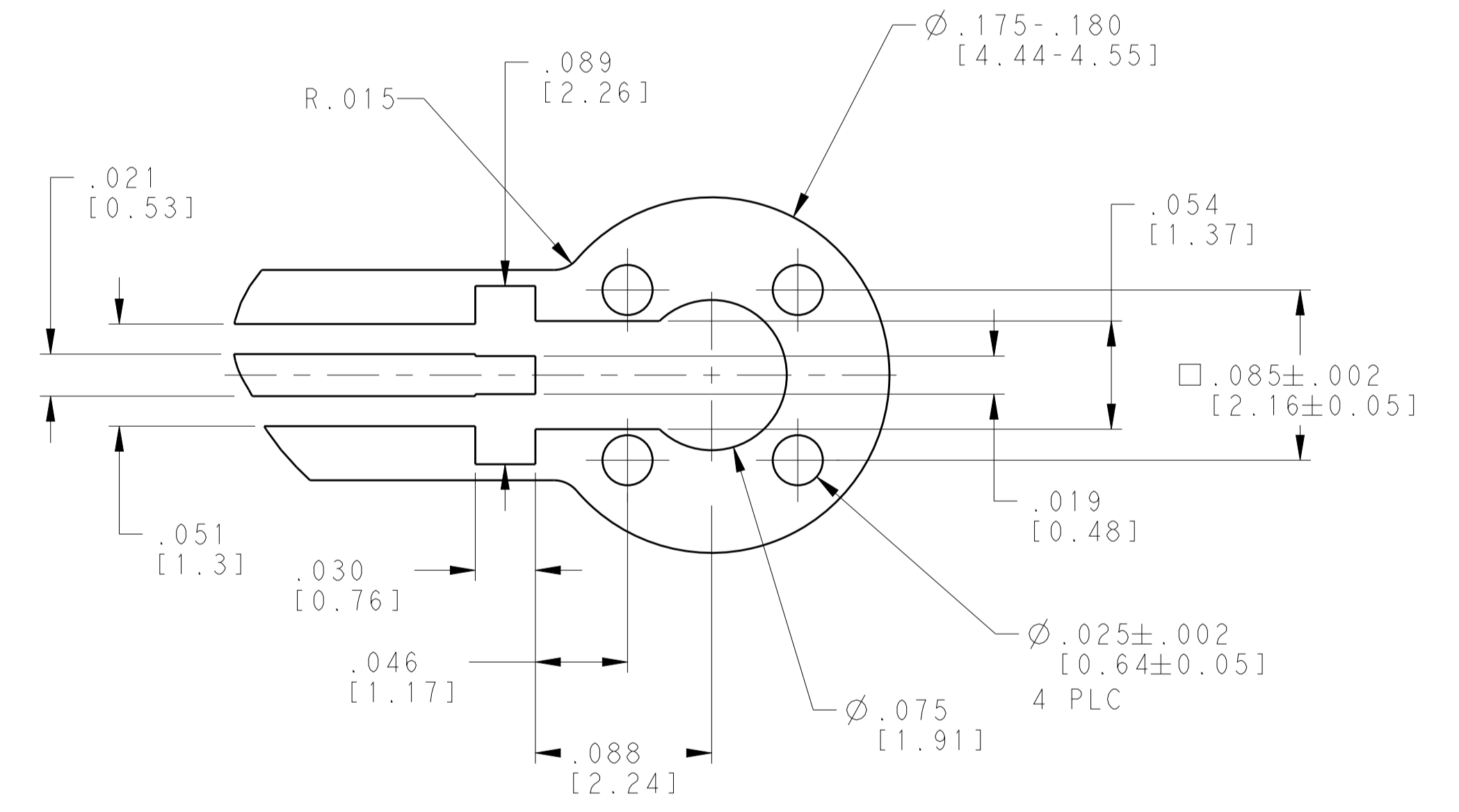
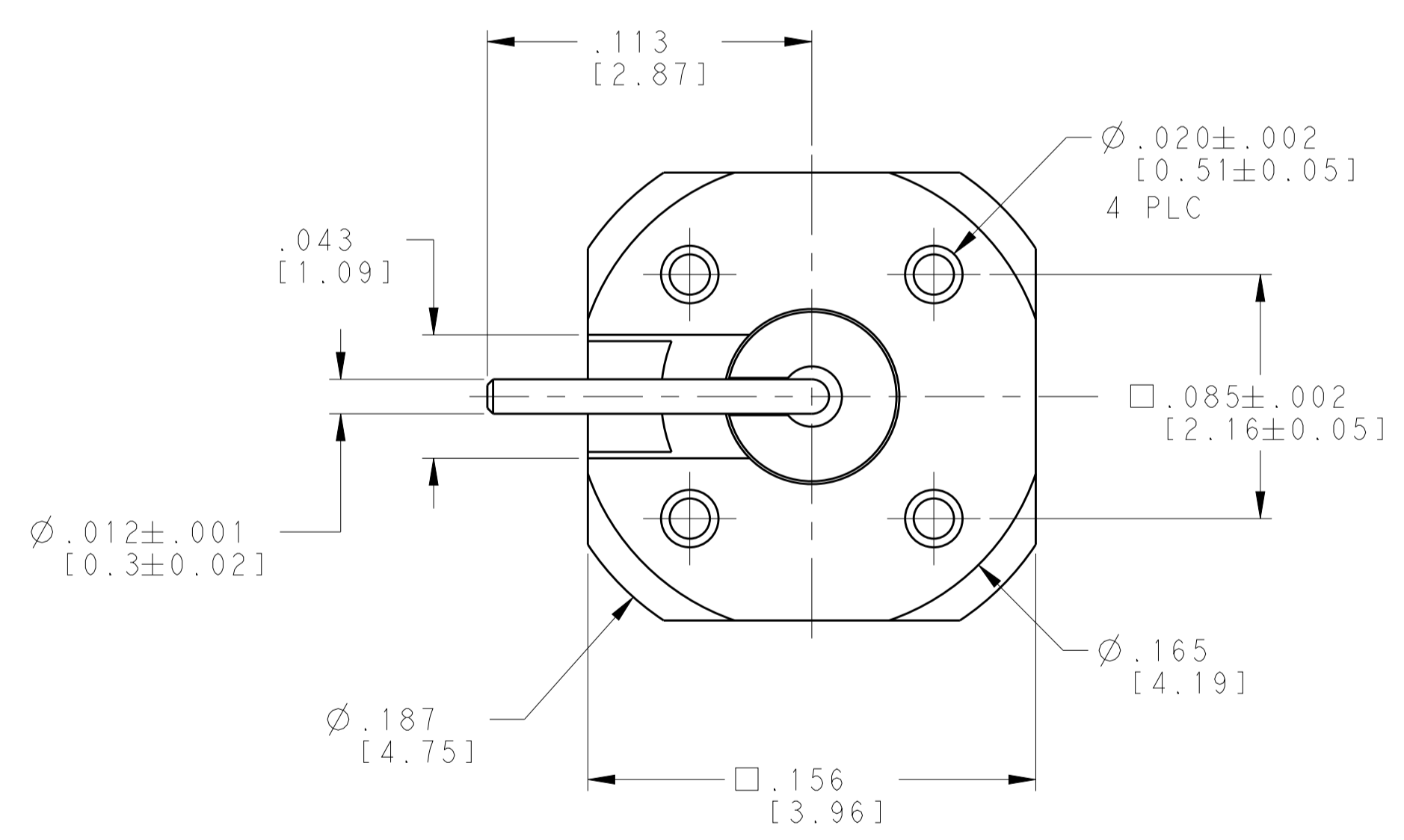


REVISIONS					
P.	LTN.	DESCRIPTION	DATE	DWN.	APVD.
C		REV PER ECO 17-017417	1-12-18	CT	FB



- 1 MATERIALS:  
HOUSING: BRASS PER ASTM B16  
CONTACT: BERYLLIUM COPPER PER ASTM B196  
DIELECTRIC: POLYAMIDE-IMIDE (TORLON) PER MIL-P-46179
- 2 FINISHES:  
HOUSING: GOLD PLATE PER ASTM B488, .000050 [0.0013] MIN THICK OVER NICKEL PER QQ-N-290, .000100 [0.0025] MIN THICK  
CONTACT: GOLD PLATE PER ASTM B488, .000050 [0.0013] MIN THICK OVER NICKEL PER QQ-N-290, .000100 [0.0025] MIN THICK
- 3 SMPM MALE FULL DETENT INTERFACE PER MIL-STD-348B, FIGURE 328-2 OR 328-3.



RECOMMENDED PCB LAYOUT

SMOOTH BORE	1757639-2
FULL DETENT	1757639-1
DESCRIPTION	PART NUMBER

THIS DRAWING IS A CONTROLLED DOCUMENT.		DWN: B. MOYER 15MAR2012	TE Connectivity
DIMENSIONS: INCHES [mm]		CHK: C. THOMAS 3-21-12	
TOLERANCES UNLESS OTHERWISE SPECIFIED:		APVD: B. MOYER 15MAR2012	NAME: SMPM, MALE PCB SURFACE MOUNT WITH THRU HOLE POSTS PRODUCT SPEC: 108-2242 APPLICATION SPEC:
0 PLC ±. 1 PLC ±.02 [0.51] 2 PLC ±.005 [0.13] 3 PLC ±. 4 PLC ±. ANGLES ±1°		SIZE: CAGE CODE DRAWING NO: WEIGHT: .233 Gr CUSTOMER DRAWING	
MATERIAL: 1		FINISH: 2	RESTRICTED TO: A100779C=1757639 SCALE: 20:1 SHEET 1 OF 1 REV C