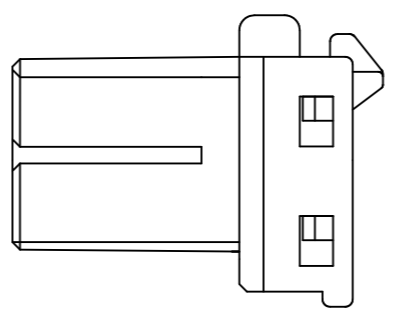
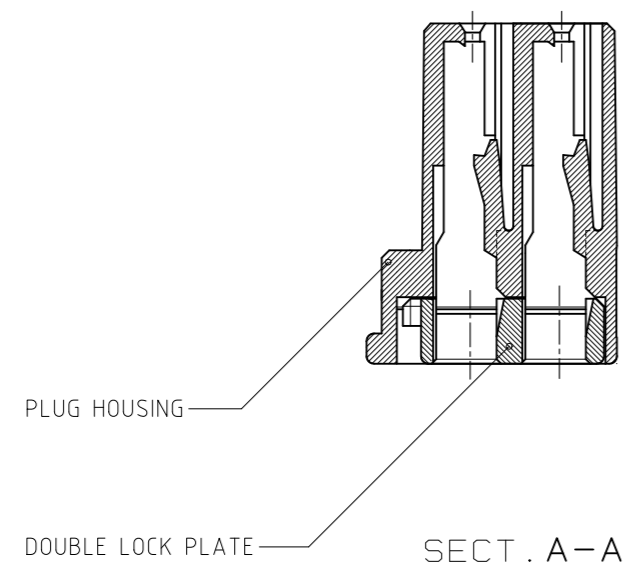
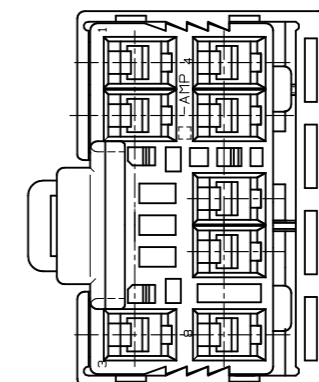
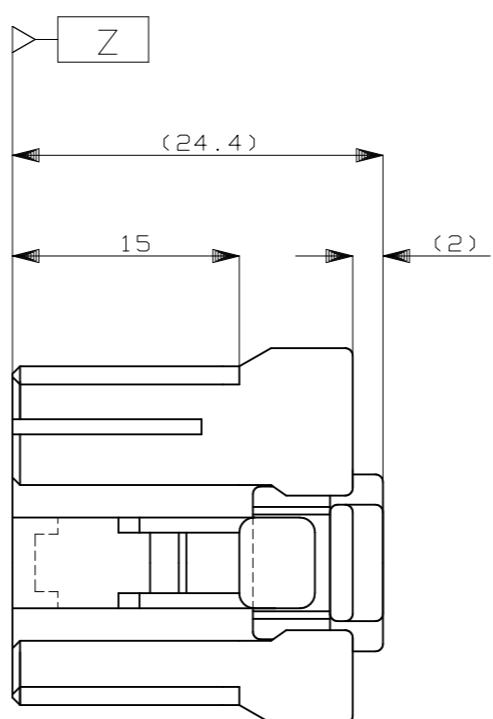
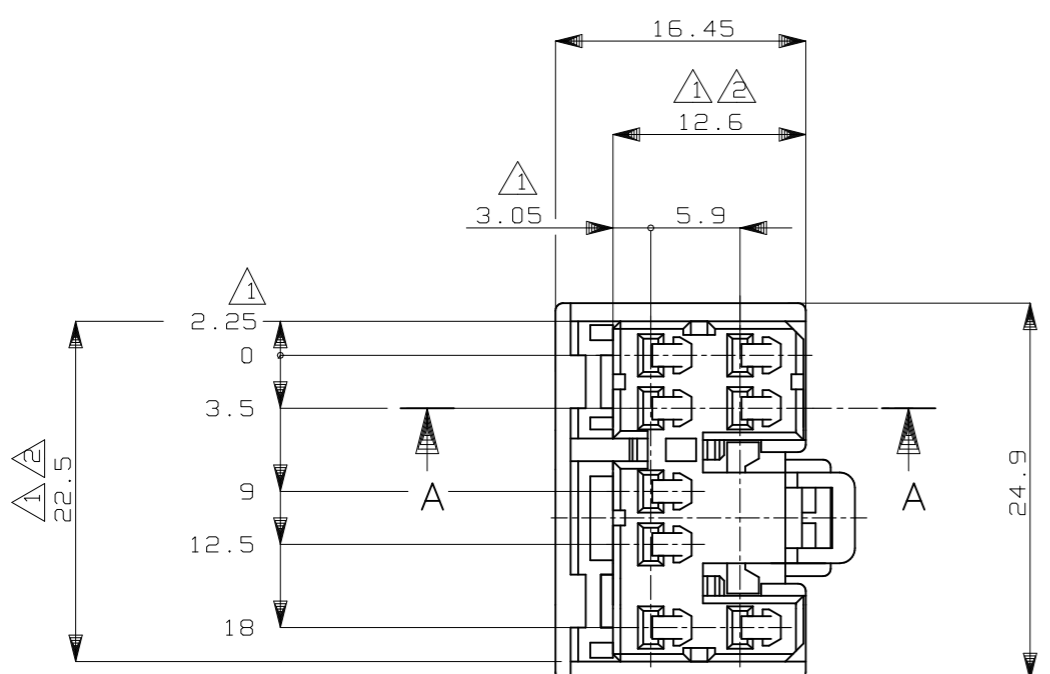


REVISIONS					
P	LTR	DESCRIPTION	DATE	DWN	APVD
	D	REDRAWN W/O CHANGE	ECR-13-007083	30APR2013	TS KB
	D1	REVISED PER ECR-22-154840		06DEC2022	RK MT



- 1 TO BE MEASURED BETWEEN Z AND 2
- 2 TO BE MATE WITH CAP HOUSING SMOOTHLY
- 3. APPLIED CONTACT PART NUMBER: 173630 AND 173631
- 4. PRODUCT SPECIFICATION NUMBER: 108-5312

- 1 Z 面より2mmの範囲で測定
- 2 相手ハウジングと所定の機能を満足して嵌合できること
- 3. 内装するリセパタクルコンタクト型番: 173630, 173631
- 4. 製品規格番号: 108-5312

	GRAY	176113-6
OBOSLETE	BLUE	176113-5
OBOSLETE	GREEN	176113-4
	COLOR	PART NUMBER

一般公差
(GENERAL TOLERANCE)
10以下: ±0.2
10を越え 30以下: ±0.25
30を越え 100以下: ±0.3
角度: ±3°

THIS DRAWING IS A CONTROLLED DOCUMENT.		DWN Y.KAKITANI 12/3'90	TE Connectivity 070 SERIES MULTI LOCK I/O CONNECTOR MK-II 8POSITION PLUG HOUSING ASSEMBLY				
DIMENSIONS: mm		CHK Y.MATSUSAKA 12/3'90				APVD M.NOGUCHI 12/3'90	NAME
TOLERANCES UNLESS OTHERWISE SPECIFIED: 0 PLC ± - 1 PLC ± - 2 PLC ± - 3 PLC ± - 4 PLC ± - ANGLES ± -		PRODUCT SPEC SEE NOTE 4				SIZE	
MATERIAL PBT		FINISH -				CAGE CODE A300779	
		WEIGHT 4.6 g		DRAWING NO C-176113	RESTRICTED TO -		
CUSTOMER DRAWING			SCALE 2:1	SHEET 1 OF 1	REV D1		