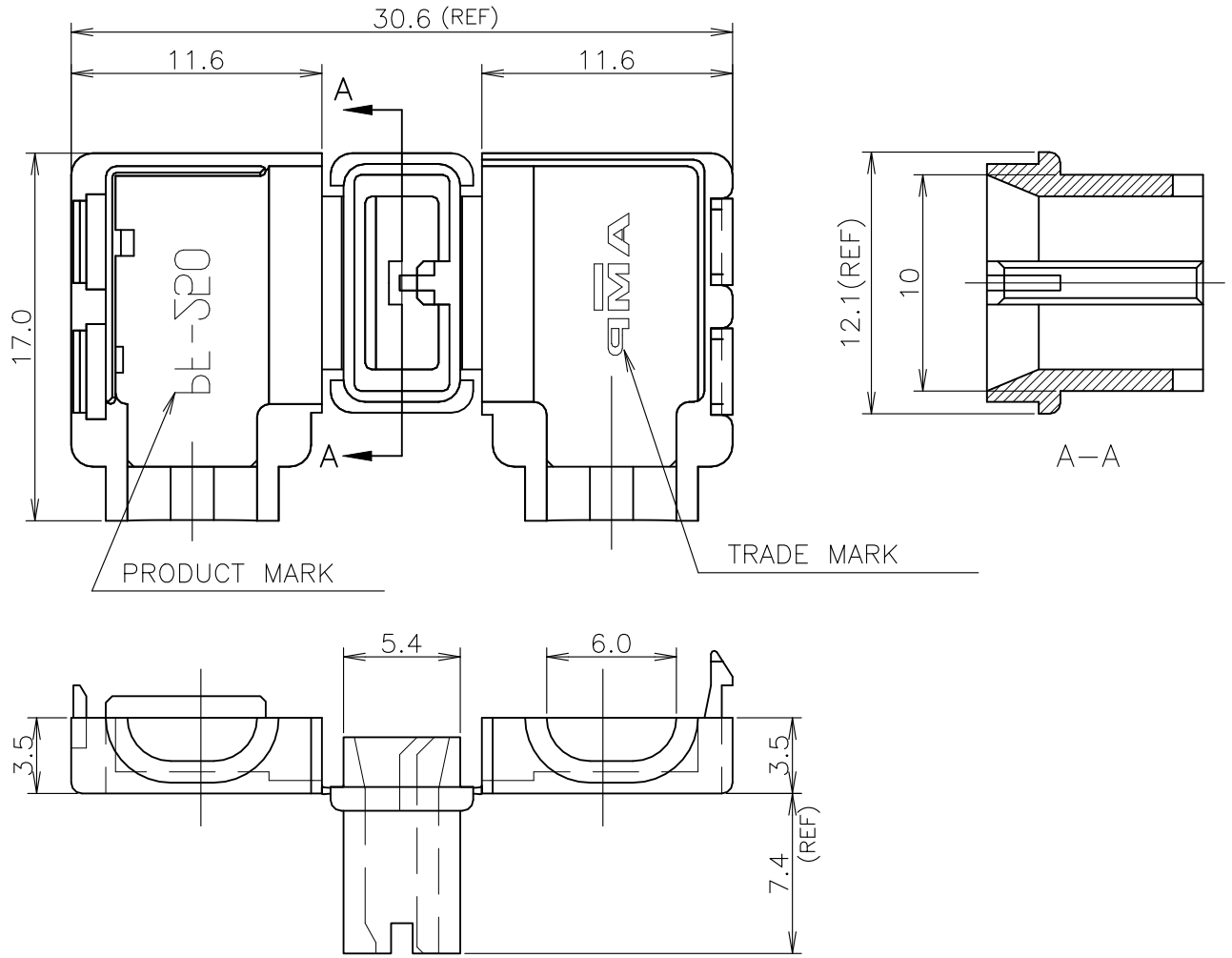


| REVISIONS 変更 | | | | | |
|-----------------|-----|---------------------------|-----------|-----|------|
| P | LTR | DESCRIPTION | DATE | DWN | APVD |
| | N1 | REVISED PER PCN-23-168440 | 04MAY2023 | GK | RE |



1 APPLICABLE CONTACT P/N: 175057-1

2 OBSOLETE PARTS: OBSOLETE CIS STERAMLINING PER D.RENAUD/D.SINSI

3 OBSOLETE PARTS

| | | | |
|---|-----------|-----------|-----------------------|
| 3 | GWT,94V-0 | (NATURAL) | 7-176497-1 |
| | 94V-0 | (BLACK) | 1-176497-9 |
| | 94V-0 | (RED) | 1-176497-7 |
| | 94V-0 | (BLUE) | 1-176497-6 |
| 3 | 94V-0 | (YELLOW) | 1-176497-4 |
| | 94V-0 | (NATURAL) | 1-176497-1 |
| | 94V-2 | (BLACK) | 176497-9 |
| | 94V-2 | (NATURAL) | 176497-1 |
| | UL GRADE | (COLOR) | (P/N) |

| GENERAL TOLERANCE | |
|-------------------|-------|
| 10 ≥ | ±0.2 |
| 30 ≥ > 10 | ±0.25 |
| 100 ≥ > 30 | ±0.3 |
| ANGLES: ±3° | |

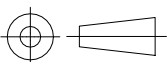
TE Connectivity. All Rights Reserved.

©

DIMENSIONS:
單位: 耗
mm

TOLERANCES UNLESS
OTHERWISE SPECIFIED:
一般公差

| | |
|--------|-----|
| 0 PLC | ± - |
| 1 PLC | ± - |
| 2 PLC | ± - |
| 3 PLC | ± - |
| 4 PLC | ± - |
| ANGLES | ± - |



| | | |
|------------------|----------|-----------|
| DWN | Y.FUJITA | 10NOV1989 |
| CHK | Y.FUJITA | 10NOV1989 |
| APVD | N.ONOUE | 11NOV1989 |
| PRODUCT SPEC | | |
| APPLICATION SPEC | | |
| WEIGHT | 0.000000 | |

| WIRE RANGE | | INSULATION DIA | |
|---|-----------|-----------------|---------------|
| | | mm ² | mm ϕ |
| | | | 2.8~4.2 |
| MATERIAL | | FINISH | |
| 6/6 NYLON(SEE TABLE) | | | |
| | | | |
| TE Connectivity ONE TOUCH SLEEVE 250 SERIES FLAG POSITIVE LOCK-EX | | | |
| SIZE | CAGE CODE | DRAWING NO | RESTRICTED TO |
| A4 | 00779 | C-176497 | |

| | | | | | | |
|------------------|-------|-----|-------|--------|-----|---|
| CUSTOMER DRAWING | SCALE | NTS | SHEET | 1 OF 1 | REV | J |
|------------------|-------|-----|-------|--------|-----|---|