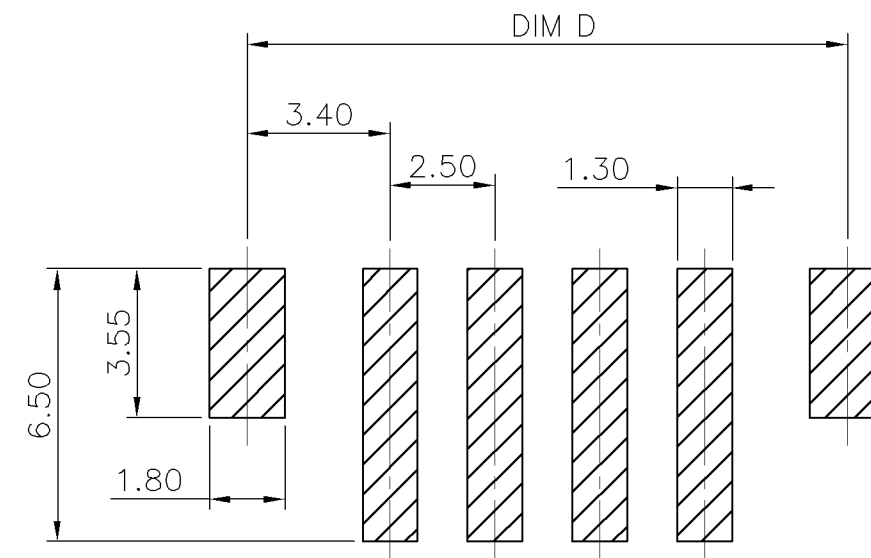
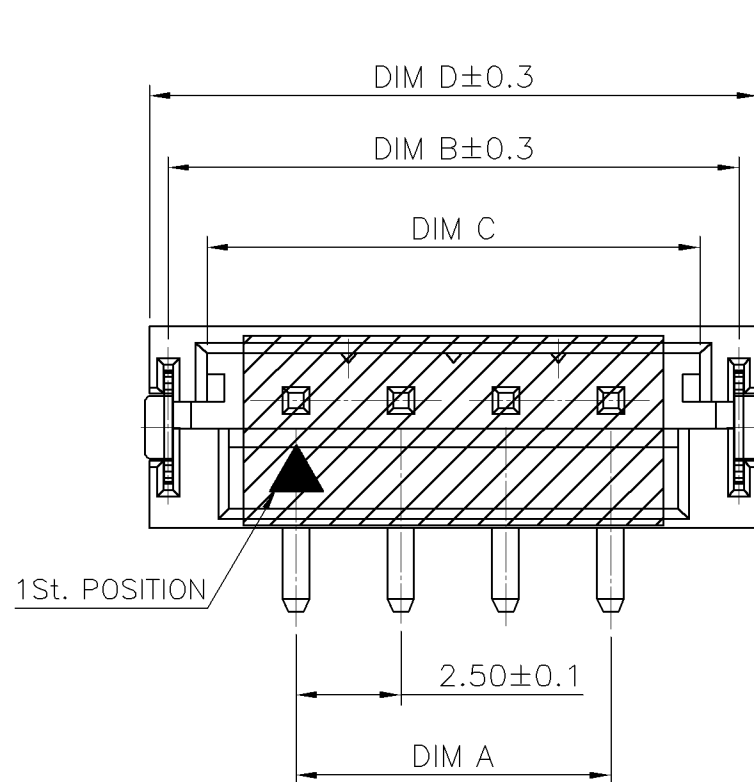
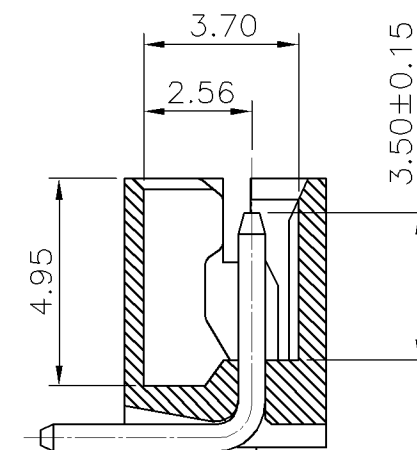
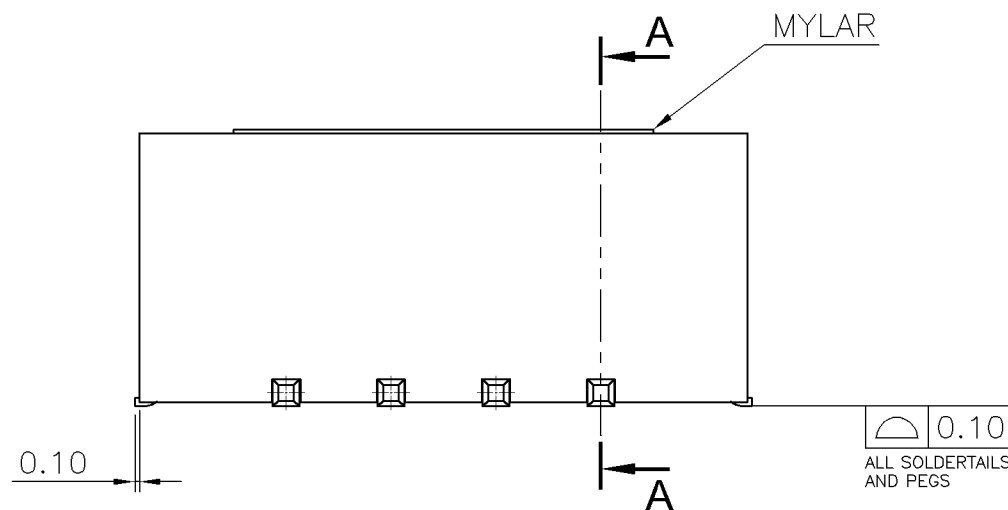
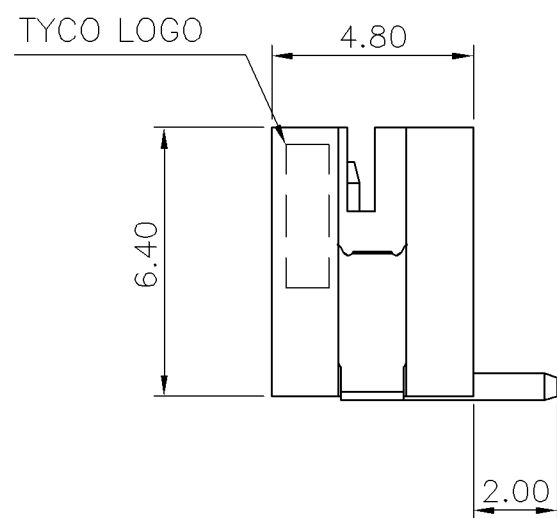


THIS DRAWING IS UNPUBLISHED. RELEASED FOR PUBLICATION  
 © COPYRIGHT BY TYCO ELECTRONICS CORPORATION. ALL RIGHTS RESERVED.

LOC DW	DIST —	REVISIONS			
P	LTR	DESCRIPTION	DATE	DWN	APVD
	A1	RELEASED ECR-20-007447	03JUL20	T.Q	WK



RECOMMENDED PCB LAYOUT



SECTION A-A

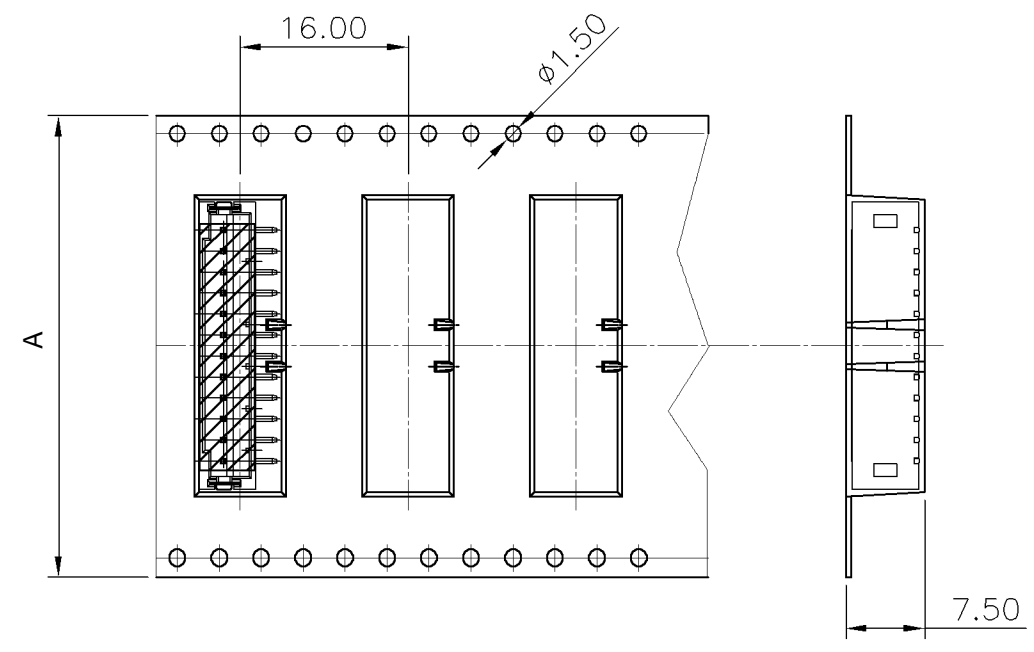
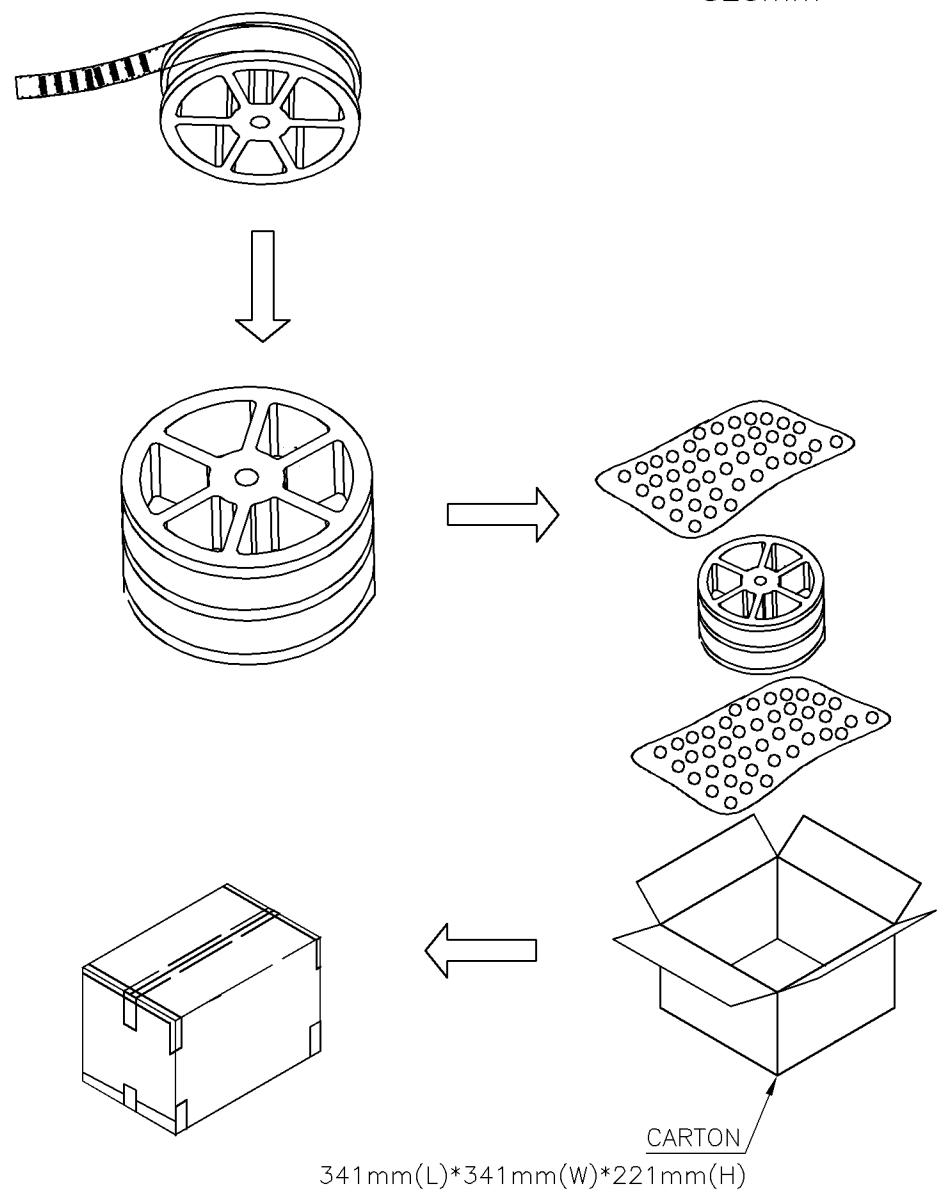
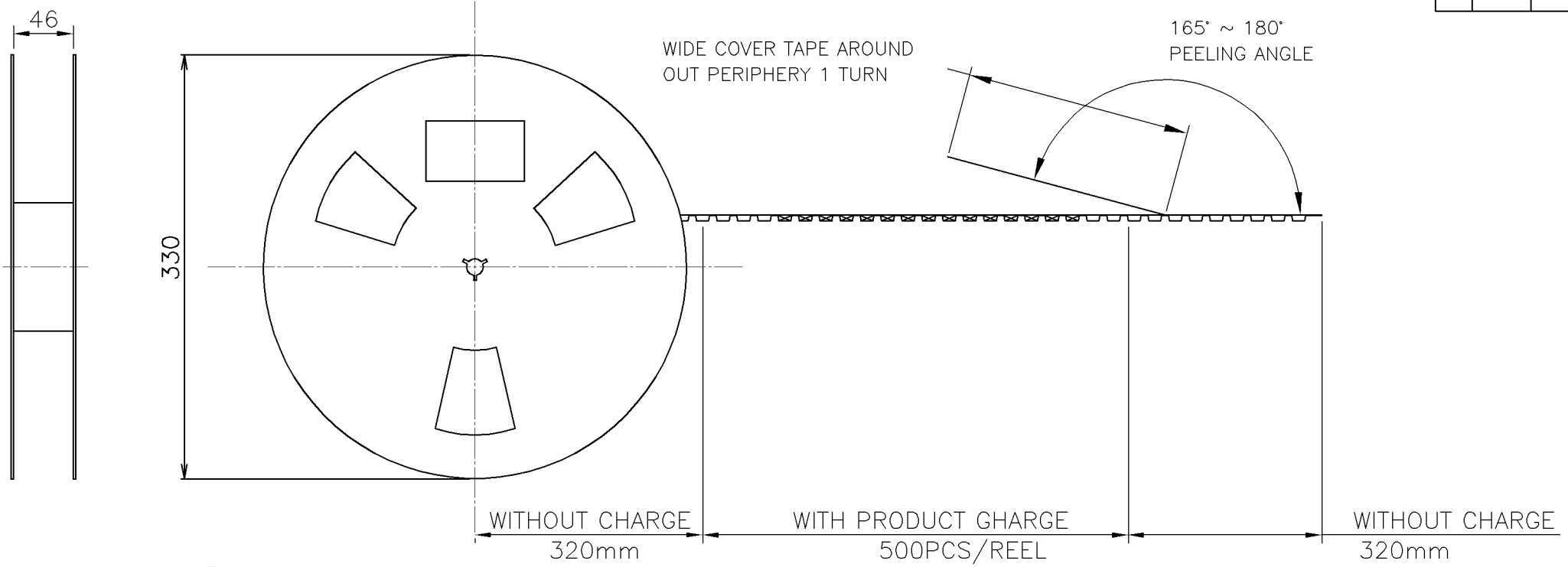
42.0	39.2	41.1	35.00	15	1-1775317-5
39.5	36.7	38.6	32.50	14	1-1775317-4
37.0	34.2	36.1	30.00	13	1-1775317-3
34.5	31.7	33.6	27.50	12	1-1775317-2
32.0	29.2	31.1	25.00	11	1-1775317-1
29.5	26.7	28.6	22.50	10	1-1775317-0
27.0	24.2	26.1	20.00	9	1775317-9
24.5	21.7	23.6	17.50	8	1775317-8
22.0	19.2	21.1	15.00	7	1775317-7
19.5	16.7	18.6	12.50	6	1775317-6
17.0	14.2	16.1	10.00	5	1775317-5
14.5	11.7	13.6	7.50	4	1775317-4
12.0	9.2	11.1	5.00	3	1775317-3
9.5	6.7	8.6	2.50	2	1775317-2
DIM D	DIM C	DIM B	DIM A	POS.	PART NUMBER

- NOTE:
- MATERIAL:  
HOUSING: PA9T, VIRGIN, UL 94V-0, COLOR: NATURAL.  
CONTACTS: BRASS.
  - FINISH:  
CONTACTS: 2.0µm [80µ"] MIN. MATTE-TIN OVER 1.27µm [50µ"] MIN.  
NICKEL ON ENTIRE CONTACT.
  - REFLOW SOLDER CAPABLE TO 260°C PER TYCO TEST SPEC.  
109-201, CONDITION B.

THIS DRAWING IS A CONTROLLED DOCUMENT.		DWN O. HU	10JAN2006	<b>tyco</b> Tyco Holdings (Bermuda)	
		CHK S. HOU	10JAN2006	<b>Electronics</b> VII Ltd. Taiwan Branch	
		APVD W.J. KE	10JAN2006	NAME	
DIMENSIONS: MM		TOLERANCES UNLESS OTHERWISE SPECIFIED:		PRODUCT SPEC	
		0 PLC ± -		108-57099	
		1 PLC ± 0.25		QUALIFICATION TEST REPORT	
		2 PLC ± 0.15		501-57057	
		3 PLC ± 0.05		SIZE	
		4 PLC ± -		CAGE CODE	
		ANGLES ± 3'		DRAWING NO	
MATERIAL SEE NOTE		FINISH SEE NOTE		RESTRICTED TO	
		WEIGHT --		A3 00779 C=1775317	
CUSTOMER DRAWING				SCALE --	SHEET 1 OF 2
				REV A1	

THIS DRAWING IS UNPUBLISHED. RELEASED FOR PUBLICATION  
 © COPYRIGHT BY TYCO ELECTRONICS CORPORATION. ALL RIGHTS RESERVED.

LOC	DIST	REVISIONS			
P	LTR	DESCRIPTION	DATE	DWN	APVD
		SEE SHEET 1.			



DIM.A	PCS/CARTON	PCS/REEL	POS.	PART NUMBER
56.0	1,500	500	15	1-1775317-5
56.0	1,500	500	14	1-1775317-4
56.0	1,500	500	13	1-1775317-3
56.0	1,500	500	12	1-1775317-2
56.0	1,500	500	11	1-1775317-1
44.0	2,000	500	10	1-1775317-0
44.0	2,000	500	9	1775317-9
44.0	2,000	500	8	1775317-8
44.0	2,000	500	7	1775317-7
32.0	2,500	500	6	1775317-6
32.0	2,500	500	5	1775317-5
32.0	2,500	500	4	1775317-4
32.0	2,500	500	3	1775317-3
32.0	2,500	500	2	1775317-2

THIS DRAWING IS A CONTROLLED DOCUMENT.

DIMENSIONS: MM	TOLERANCES UNLESS OTHERWISE SPECIFIED:	DWN O. HU 10JAN2006	Tyco Holdings (Bermuda) VII Ltd. Taiwan Branch NAME: HPI CONN., 2.5MM PITCH V/T, SMT TYPE
	0 PLC ± -	CHK S. HOU 10JAN2006	
	1 PLC ± -	APVD W.J. KE 10JAN2006	
	2 PLC ± -	PRODUCT SPEC	
MATERIAL	FINISH	APPLICATION SPEC	RESTRICTED TO

WEIGHT: -

CUSTOMER DRAWING

SIZE: A3	CAGE CODE: C-1775317	DRAWING NO: C-1775317	RESTRICTED TO: -
SCALE: -	SHEET: 2 OF 2	REV: A1	