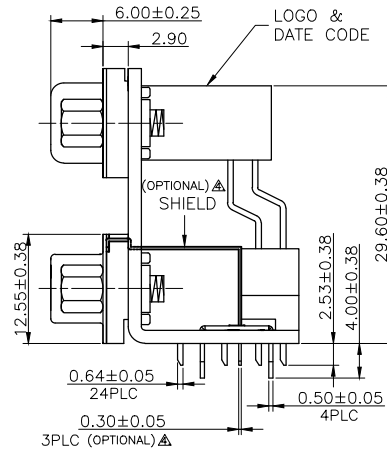
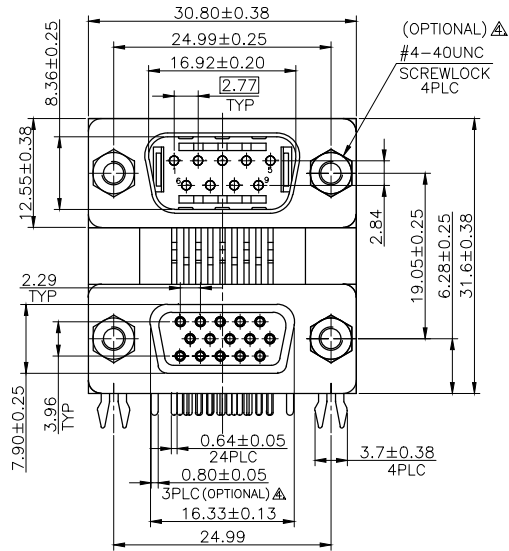


LOC DW

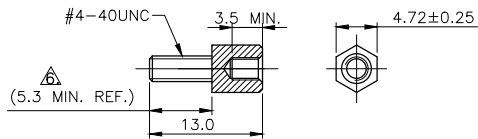
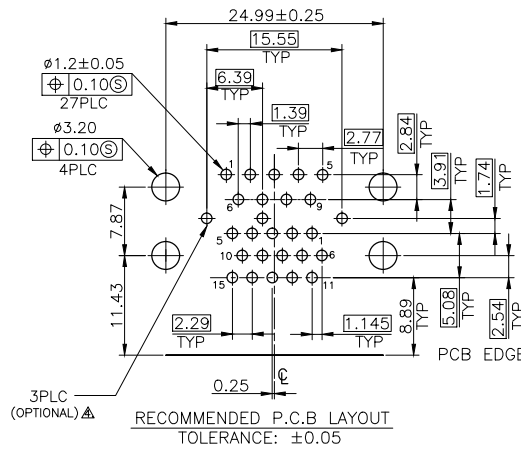
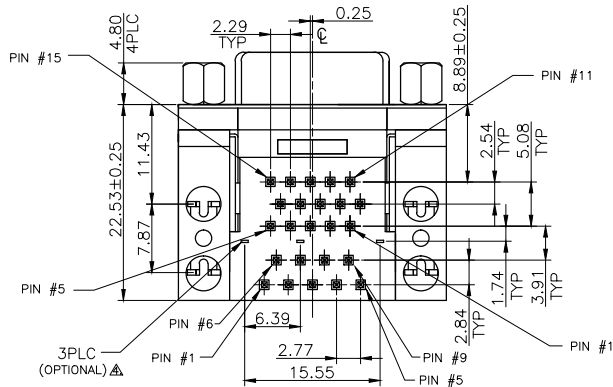
DIST

REVISIONS

P	LTR	DESCRIPTION	DATE	DWN	APVD
D2		REVISED (ECR-14-005336)	22JUL14	SW	HL



- NOTES:
- MATERIAL:
 - 1.1 HOUSING: THERMOPLASTIC (NYLON 6T), UL94V-0
15F COLOR: BLUE (661C)
9M COLOR: TURQUOISE (322C)
BASE HOUSING COLOR: BLACK.
 - 1.2 CONTACTS: BRASS
 - 1.3 BOARDLOCK: BRASS
 - 1.4 SHELL: SPCC
 - 1.5 SHIELD: SPCC
 - 1.6 SCREW: COPPER ALLOY
 - FINISH:
 - 2.1 CONTACT: GOLD PLATING (SEE TABLE) ON CONTACT AREA
2.54um [100u"] MIN. BRIGHT TIN PLATING ON SOLDER TAILS
1.27um [50u"] MIN. NICKEL UNDERPLATED OVERALL
 - 2.2 BOARDLOCK: 2.54um [100u"] MIN. BRIGHT TIN PLATING ON SOLDER TAILS
1.27um [50u"] MIN. NICKEL UNDERPLATED OVERALL
 - 2.3 SHELL: 2.54um [100u"] MIN. NICKEL PLATING
 - 2.4 SHIELD: 2.54um [100u"] MIN. BRIGHT TIN PLATING ON SOLDER TAILS
1.27um [50u"] MIN. NICKEL UNDERPLATED OVERALL
 - 2.5 SCREW: 2.54um [100u"] MIN. NICKEL PLATING
 - RECOMMENDED PCB THICKNESS: 1.60
 - SHIELD AND SCREW ARE OPTIONAL. (SEE TABLE FOR DETAIL)
 - WAVE SOLDER CAPABLE TO 265°C PER TE SPEC. 109-202, CONDITION B.
 - RECOMMENDED SCREW LENGTH 5.3 MM MIN. (FOR W/O SCREW OPTIONAL)



EOL	W/	W/	0.381um [15u"]	5	-2
EOL	-W/	W/	0.762um [30u"]	4	-2
	W/	W/0	0.762um [30u"]	4	-1
EOL	-W/	W/	GOLD FLASH	3	-2
	W/	W/0	GOLD FLASH	3	-1
EOL	-W/	W/	0.508um [20u"]	2	-2
EOL	-W/	W/0	0.508um [20u"]	2	-1
EOL	-W/0	W/	GOLD FLASH	1	-2
EOL	-W/0	W/0	GOLD FLASH	1	-1
EOL	-W/0	W/	0.508um [20u"]		-2
EOL	-W/0	W/0	0.508um [20u"]		-1
	△ SHIELD	△ △ SCREW	MINI. GOLD PLATING	1775377	1

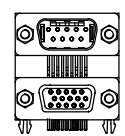
THIS DRAWING IS A CONTROLLED DOCUMENT.		DWN S. CHIEN 18MAY2009	TE Connectivity			
DIMENSIONS: MM		CHK S. CHIEN 18MAY2009				
TOLERANCES UNLESS OTHERWISE SPECIFIED:		APVD W. KODAMA 18MAY2009	NAME			
0 PLC ± - 1 PLC ± 0.3 2 PLC ± 0.2 3 PLC ± 0.15 4 PLC ± - ANGLES ± 3°		PRODUCT SPEC 108-57584	D-SUB 8.89mm, 9 POS PLUG OVER 15 POS RCPT			
MATERIAL SEE NOTE		QUALIFICATION TEST REPORT 501-57680	SIZE A3	CAGE CODE 00779	DRAWING NO. C=1775377	RESTRICTED TO
FINISH SEE NOTE		WEIGHT 24 GRAMS	SHEET 1 of 2			
		CUSTOMER DRAWING	REV D2			

LOC DW

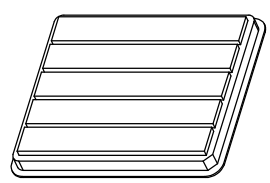
DIST

REVISIONS

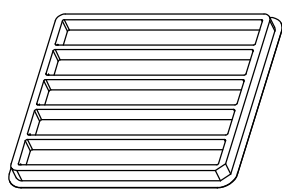
P	LTR	DESCRIPTION	DATE	DWN	APVD
		SEE SHEET 1.			



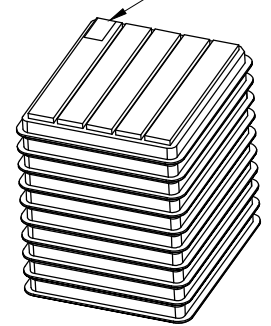
1775377



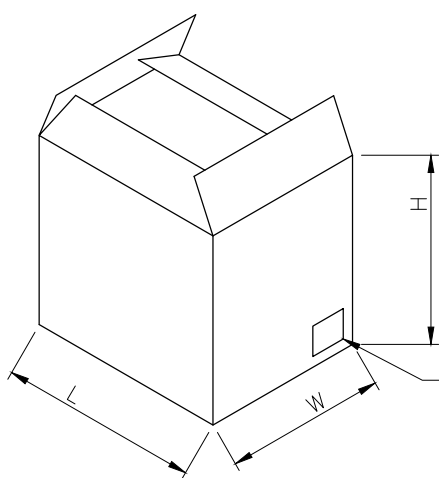
TOP COVER



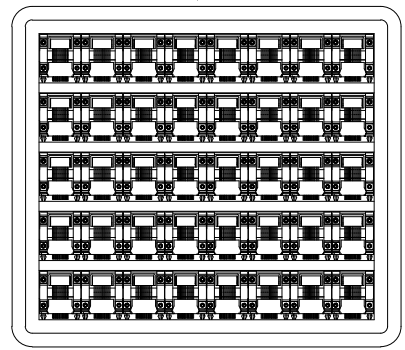
TRAY



LABEL



LABEL



TRAY LAYOUT

NOTES:

- 1. MATERIAL:
 - 1.1 TRAY: PVC
 - 1.2 SHIPPING CARTON: CORRUGATED FIBERBOARD
- 2. DIMENSION:
 - 2.1 TRAY: L=285, W=250, H=29
 - 2.1 SHIPPING CARTON: L=295, W=260, H=300
- 3. QUANTITY:
 - 3.1 PRIMARY PACKING: 40 PCS/TRAY
 - 3.2 SECONDARY PACKING: 10 TRAY/CARTON(400PCS)
- 4. CARTON WEIGHT:
 - 4.1 NET WEIGHT: 9.6Kg
 - 4.2 GROSS WEIGHT: 11.5Kg

THIS DRAWING IS A CONTROLLED DOCUMENT.

DIMENSIONS:	TOLERANCES UNLESS OTHERWISE SPECIFIED:
MM	
	0 PLC ± -
	1 PLC ± -
	2 PLC ± -
	3 PLC ± -
	4 PLC ± -
	ANGLES ± -

MATERIAL FINISH

DWN	/
CHK	/
APVD	/
PRODUCT SPEC	/
APPLICATION SPEC	/
WEIGHT	-
CUSTOMER DRAWING	/

STE TE Connectivity

NAME: D-SUB 8.89mm, 9 POS PLUG OVER 15 POS RCPT

SIZE	CAGE CODE	DRAWING NO	RESTRICTED TO
A3	00779	C=1775377	-

SCALE: - SHEET: 2 OF 2 REV: D2