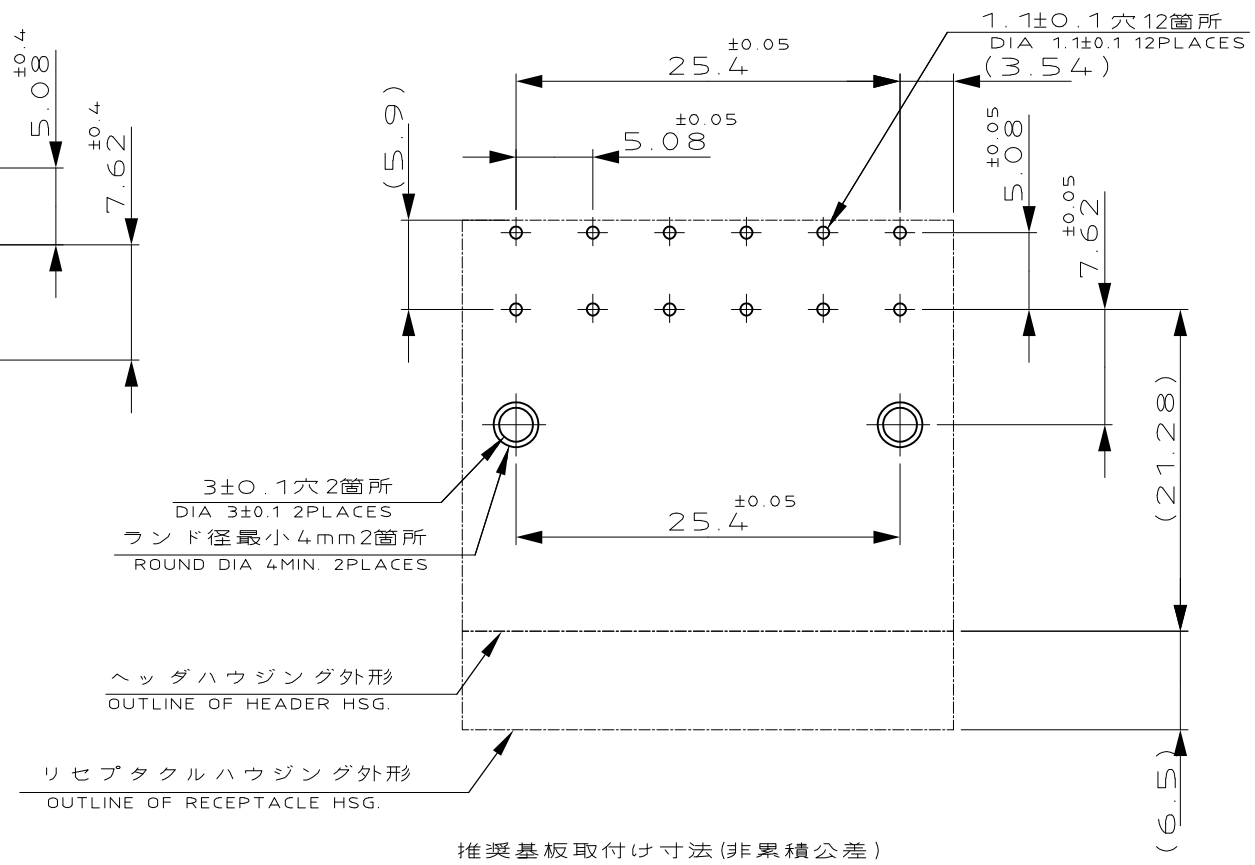
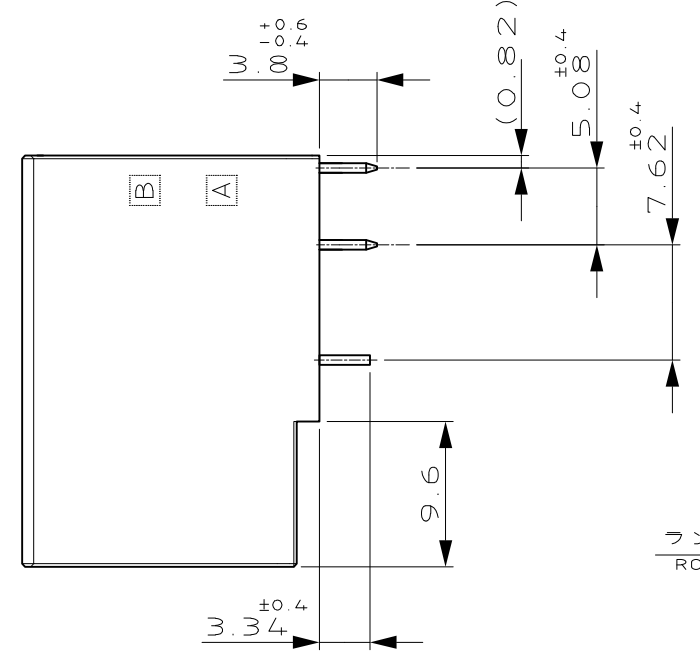
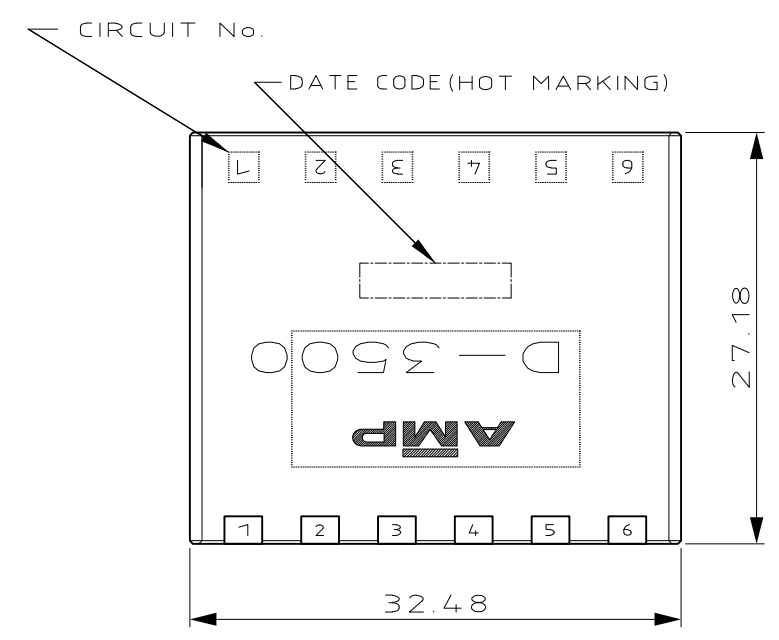
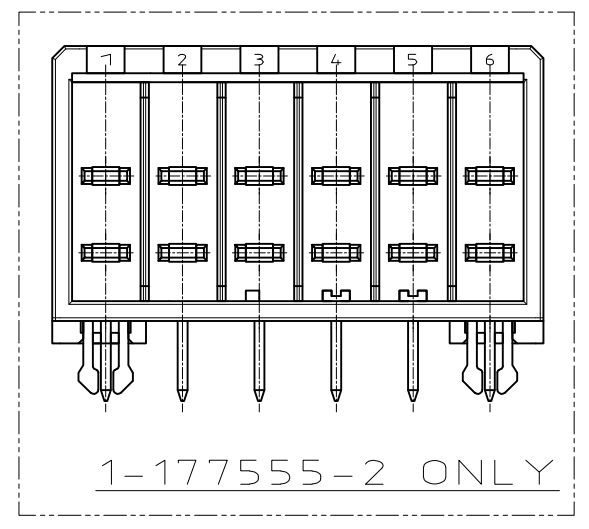
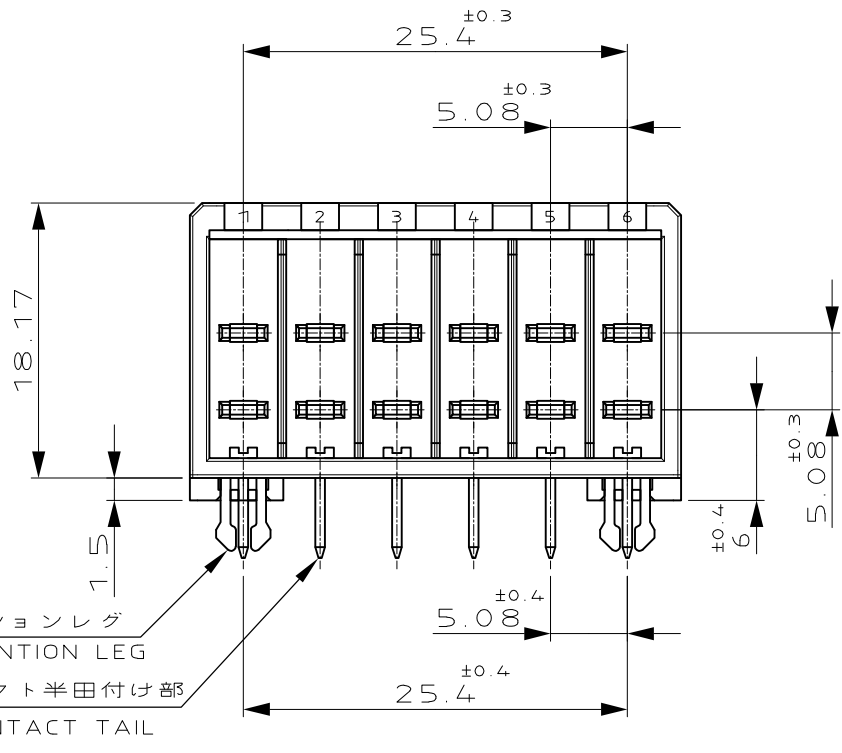


REVISIONS					
P	LTR	DESCRIPTION	DATE	DWN	APVD
E		REVISED PER ECR-17-002262	28FEB2017	K.T	E.T



推奨基板取付け寸法 (非累積公差)
 RECOMMEND PC BOARD HOLE (NOT ACCUMULATE TOLERANCE)
 PC BOARD THICKNESS: 1.6 ± 0.1
 基板厚: 1.6 ± 0.1



- 1 材料: 熱可塑性ポリエステル樹脂(ガラス入り)
 色: 黒
 2 製品規格: 108-5349
 3 製品認定報告書: 501-5013
 ▲ 接触部仕上げ: ニッケル下地 0.38 μ m MIN. 金メッキ
 ▲ 接触部仕上げ: ニッケル下地 0.76 μ m MIN. 金メッキ
 ▲ 接触部仕上げ: ニッケル下地 2.0 μ m MIN. 金メッキ
 ▲ レグおよび脚部仕上げ: ニッケル下地半田メッキ
 ▲ レグおよび脚部仕上げ: ニッケル下地スズメッキ
- 1 MATERIAL: GLASS FIELD THERMO PLASTIC, POLYESTER.
 COLOR: BLACK
 2 PRODUCT SPEC: 108-5349
 3 QUALIFICATION TEST REPORT: 501-5013
 ▲ FINISH (CONTACT AREA): 0.38 μ MIN. GOLD PLT. OVER NICKEL.
 ▲ FINISH (CONTACT AREA): 0.76 μ MIN. GOLD PLT. OVER NICKEL.
 ▲ FINISH (CONTACT): 2.0 μ MIN. TIN PLT. OVER NICKEL.
 ▲ FINISH (RETENTION LEG AND CONTACT TAIL): TIN LEAD PLT. OVER NICKEL.
 ▲ FINISH (RETENTION LEG AND CONTACT TAIL): TIN PLT. OVER NICKEL.

⑧	⑥	-5
⑧	⑤	-3
⑧	④	177555-2
⑧	④	1-177555-2
FINISH		PART NUMBER

THIS DRAWING IS A CONTROLLED DOCUMENT.		DWN	7/7/'92		TE Connectivity
		CHK	6/AUG/'92		
		APVD	6/AUG/'92		
		PRODUCT SPEC	S.MANABE		
DIMENSIONS: mm		TOLERANCES UNLESS OTHERWISE SPECIFIED: ± 0.3		NAME	
		0-PLC \pm		DYNAMIC(D-3500)	
		1-PLC \pm		12 POS. HDR. ASS'Y	
		2-PLC \pm		-	
		3-PLC \pm		APPLICATION SPEC	
		4-PLC \pm		-	
		ANGLES $\pm 3'$		SIZE	
MATERIAL		FINISH		CAGE CODE	
SEE NOTE		-		A300779	
		CUSTOMER DRAWING		DRAWING NO	
		-		C-177555	
		WEIGHT		RESTRICTED TO	
		-		-	
		SCALE		SHEET	
		1:2		1 OF 1	
		REV		E	