

THIS DRAWING IS UNPUBLISHED. RELEASED FOR PUBLICATION
 © COPYRIGHT - By - ALL RIGHTS RESERVED.

| LOC | | DIST | | REVISIONS | | | |
|-----|-----|-------------|---------------------------|-----------|------|----|--|
| P | LTR | DESCRIPTION | DATE | DWN | APVD | | |
| | | C | REVISED PER ECO-14-000477 | 13JAN2014 | KH | MM | |

- 1 MATERIAL: .032 THICK, BRASS, TEMPERED.
- 2 FINISH: BRIGHT TIN PLATE.
- 3 FOR USE WITH .437" DOUBLE ROW BARRIER STRIPS.

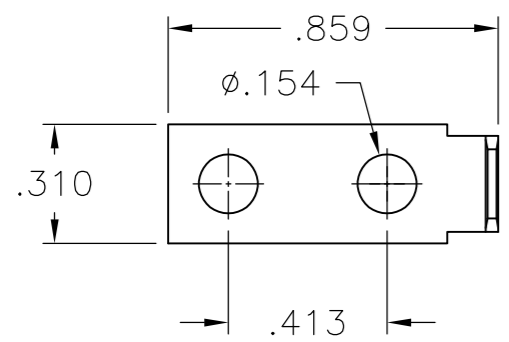


FIGURE 1

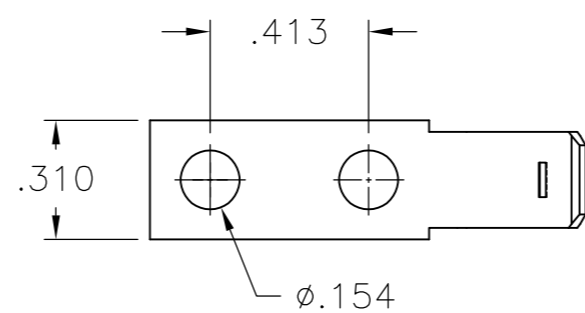
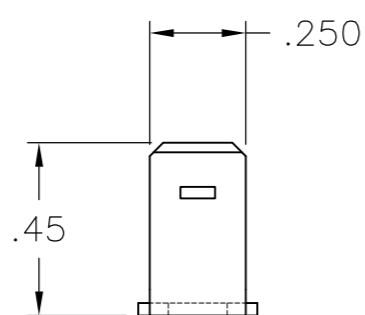
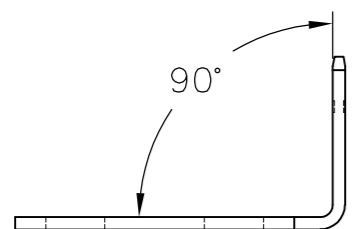


FIGURE 2

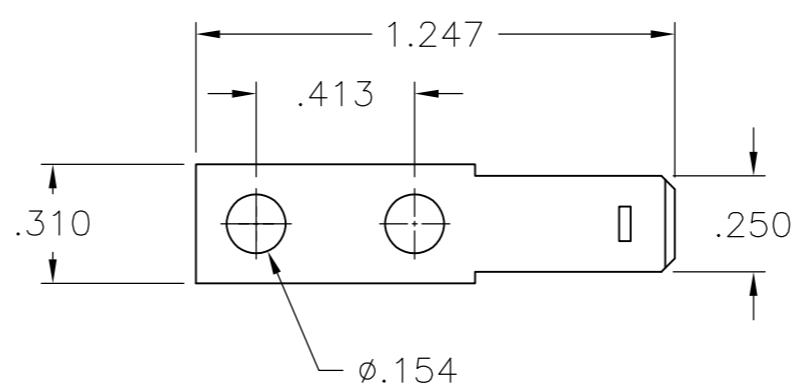
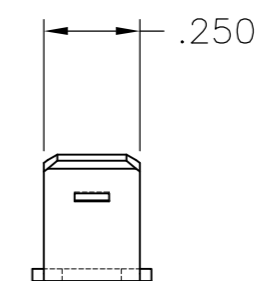
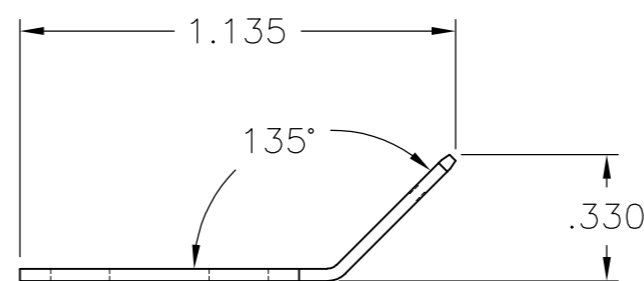
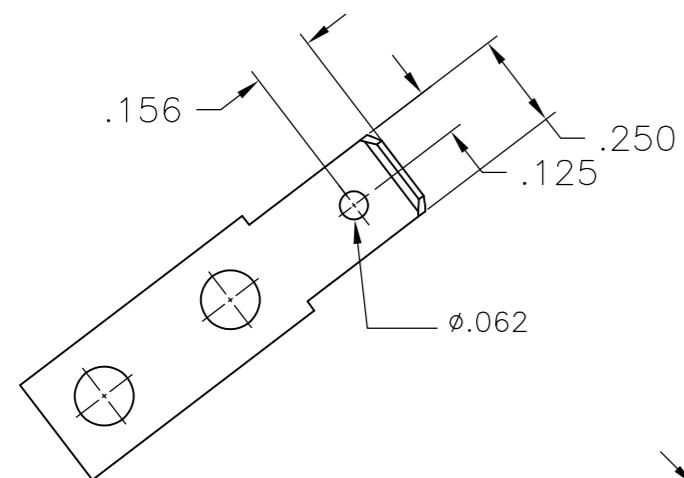
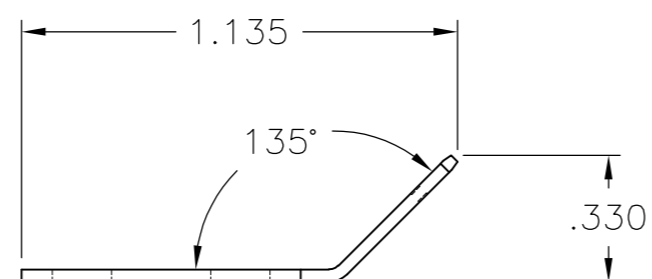
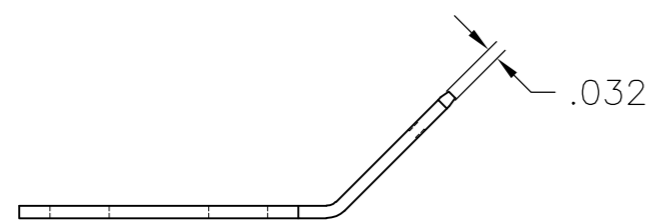


FIGURE 3



TAB DETAILS

FIGURE 4



| | |
|----------|-------------|
| FIGURE 4 | 1776110-4 |
| FIGURE 3 | 1776110-3 |
| FIGURE 2 | 1776110-2 |
| FIGURE 1 | 1776110-1 |
| FIGURE | PART NUMBER |

| | | | | | | | |
|---|--|------------------|------------|------------|--|---|--|
| THIS DRAWING IS A CONTROLLED DOCUMENT. | | DWN | S SCHLEGEL | 6/28/04 | | | |
| DIMENSIONS: INCHES | | CHK | S YODER | 6/28/04 | | | |
| TOLERANCES UNLESS OTHERWISE SPECIFIED: | | APVD | S YODER | 6/28/04 | | | |
| 0 PLC ± - 1 PLC ± - 2 PLC ± .01 3 PLC ± .005 4 PLC ± - ANGLES ± 3° | | PRODUCT SPEC | NAME | | | | |
| MATERIAL | | APPLICATION SPEC | | NAME | | .437 DOUBLE ROW, .250 WIDE QC TABS SINGLE SIDED | |
| FINISH | | WEIGHT | | SIZE | | RESTRICTED TO | |
| 1 | | - | | A2 | | - | |
| 2 | | - | | 00779 | | - | |
| CUSTOMER DRAWING | | SCALE | | DRAWING NO | | DRAWING NO | |
| | | 2:1 | | C-1776110 | | 1776110 | |
| | | SHEET | | REV | | REV | |
| | | 1 of 1 | | C | | C | |