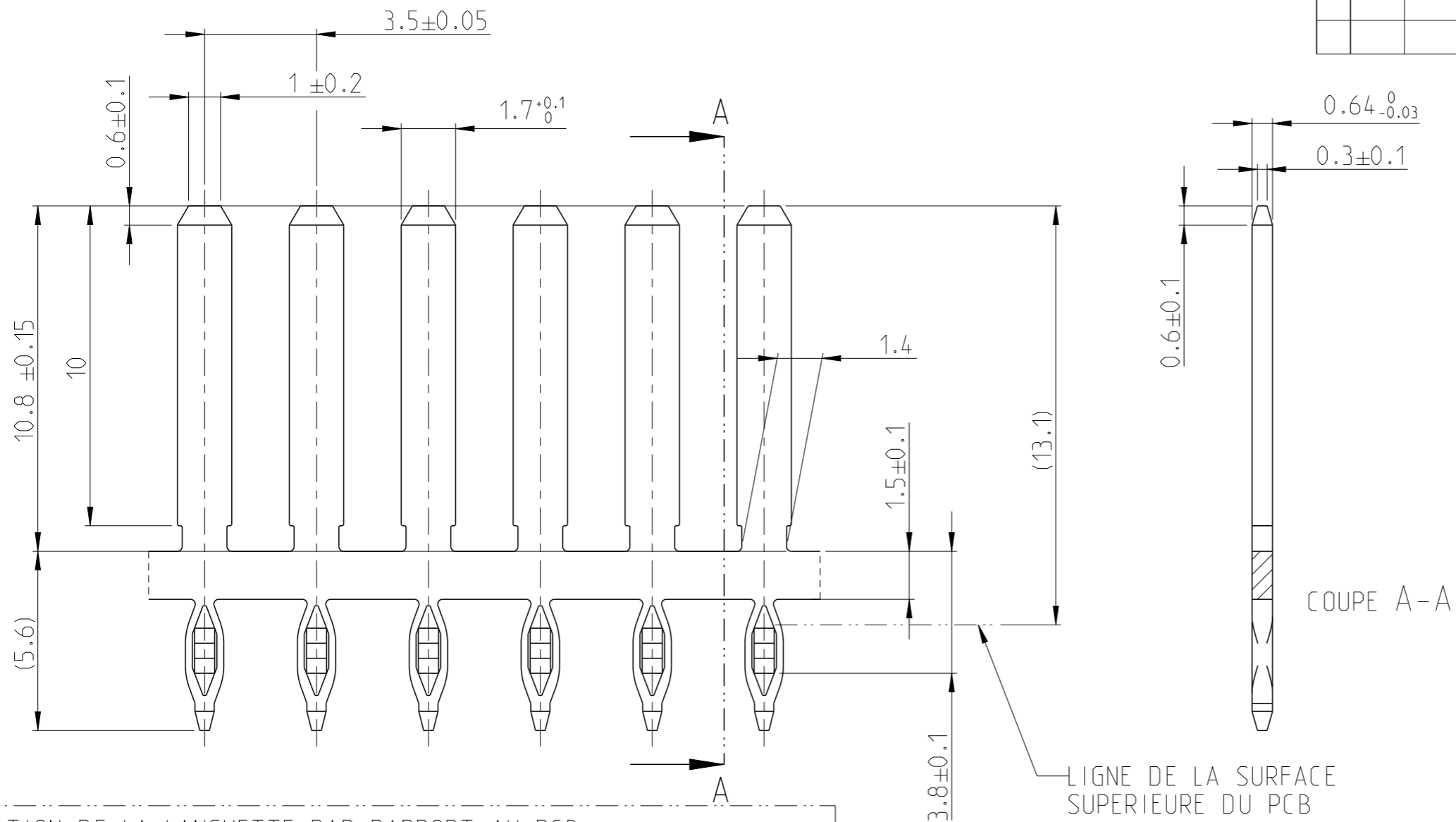
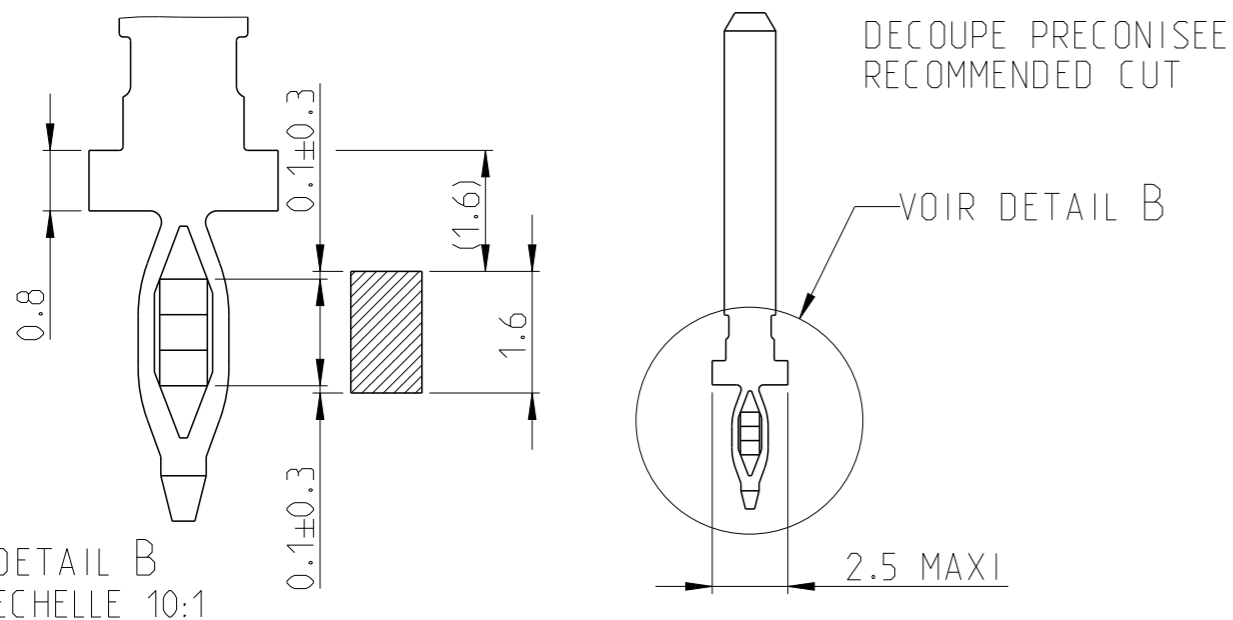


| P | LTR | DESCRIPTION     | DATE      | DWN  | APVD |
|---|-----|-----------------|-----------|------|------|
|   | A   | INITIAL RELEASE | 29JUL2020 | NT.N | J.L  |
|   |     |                 |           |      |      |
|   |     |                 |           |      |      |



LIGNE DE LA SURFACE SUPERIEURE DU PCB

POSITION DE LA LANGUETTE PAR RAPPORT AU PCB  
POSITION OF THE TAB COMPARED TO THE PCB



DETAIL B  
ECHELLE 10:1

|                               |          |           |
|-------------------------------|----------|-----------|
| POST-ETAME<br>POST-TIN PLATED | CuSn4    | 1801059-1 |
| FINISH                        | MATERIAL | PART NO   |

|   |  |                                   |                             |                    |                         |
|---|--|-----------------------------------|-----------------------------|--------------------|-------------------------|
| THIS DRAWING IS A CONTROLLED DOCUMENT.                              |  | DWN<br>NT.NGUYEN<br>24 JUL 2020   | TE Connectivity             |                    |                         |
| DIMENSIONS:<br>mm   |  | CHK<br>J. LALANGE<br>24 JUL 2020  |                             |                    |                         |
| TOLERANCES UNLESS OTHERWISE SPECIFIED:                              |  | APVD<br>J. LALANGE<br>24 JUL 2020 |                             |                    |                         |
| 0 PLC ±<br>1 PLC ±<br>2 PLC ±0.13<br>3 PLC ±<br>4 PLC ±<br>ANGLES ± |  | PRODUCT SPEC<br>108-90800         | NAME<br>TAB 1.7 MULTISPRING |                    |                         |
| MATERIAL  |  | APPLICATION SPEC<br>-             | SIZE<br>A3                  | CAGE CODE<br>00779 | DRAWING NO<br>C-1801059 |
| FINISH  |  | WEIGHT<br>-                       | RESTRICTED TO<br>-          |                    |                         |
| CUSTOMER DRAWING  |  |                                   | SCALE<br>4:1                | SHEET<br>1 OF 1    | REV<br>A                |