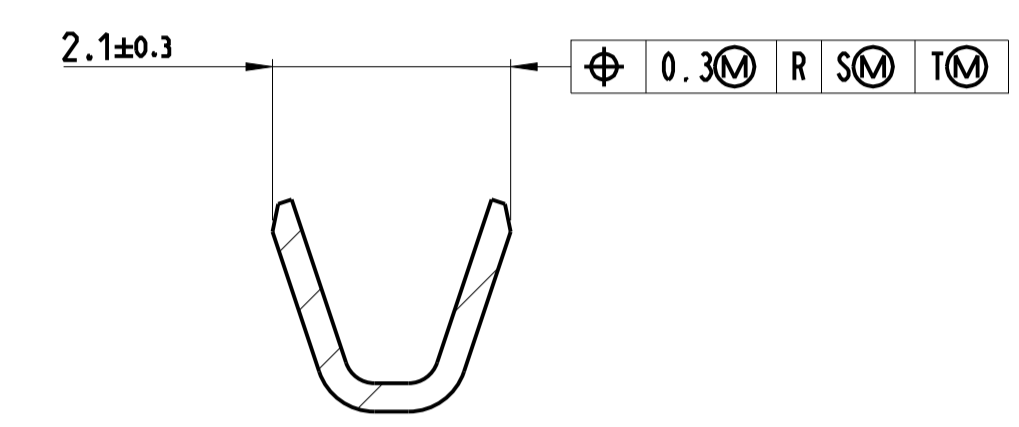
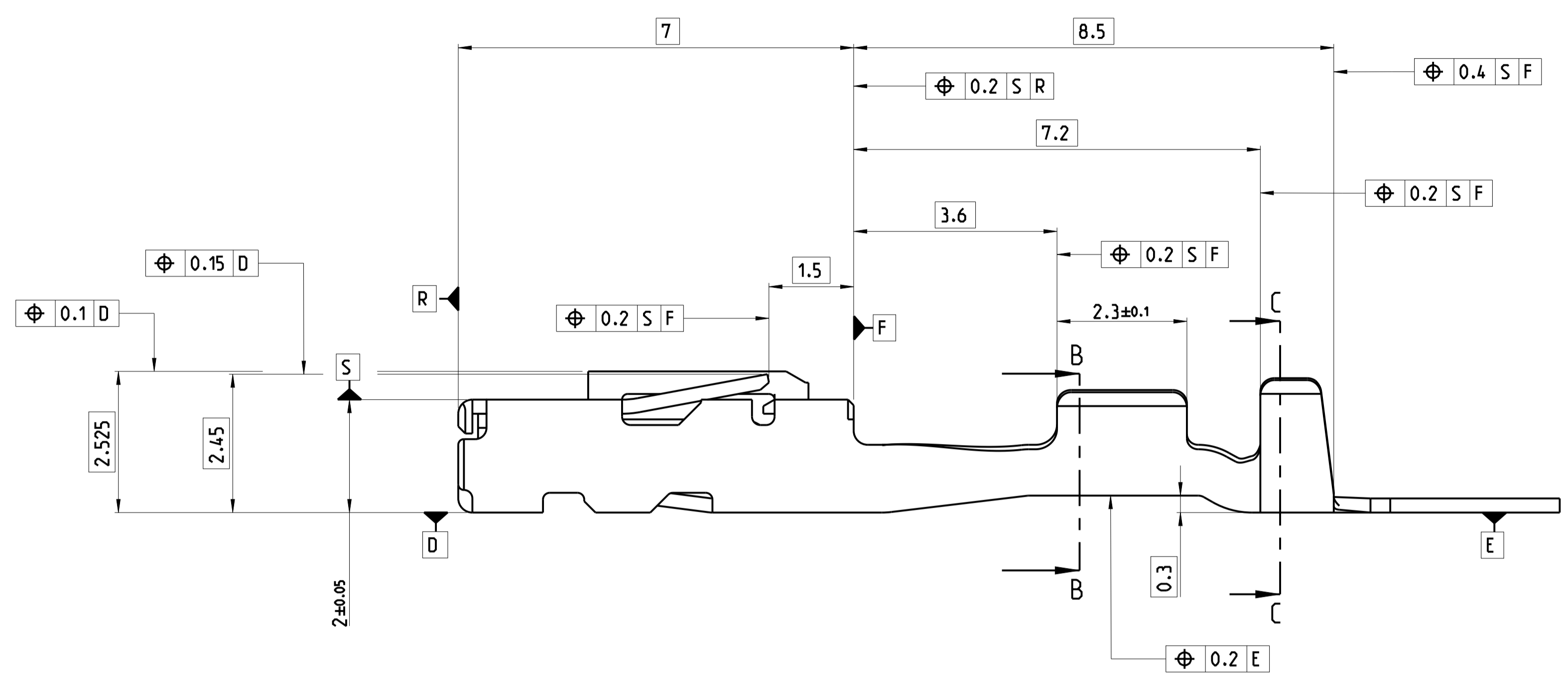
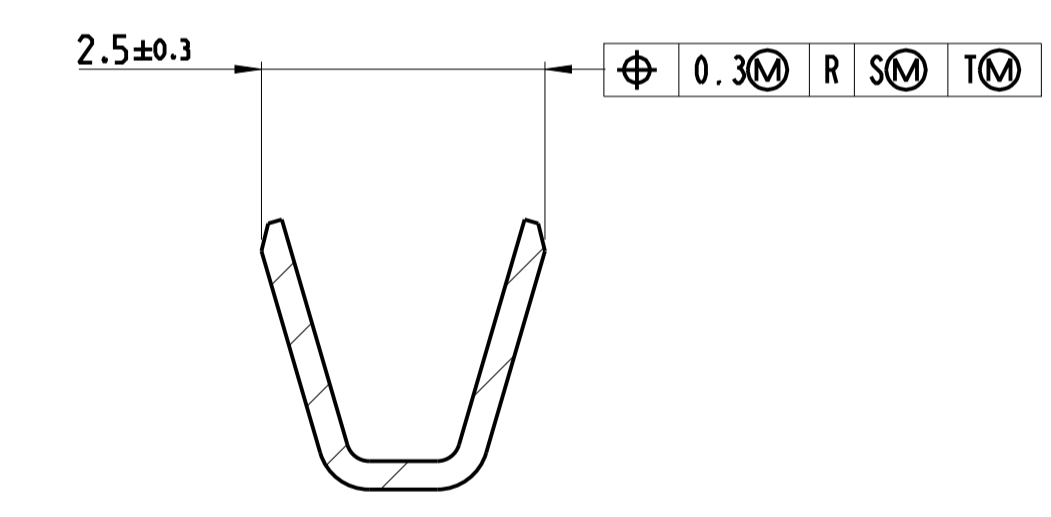
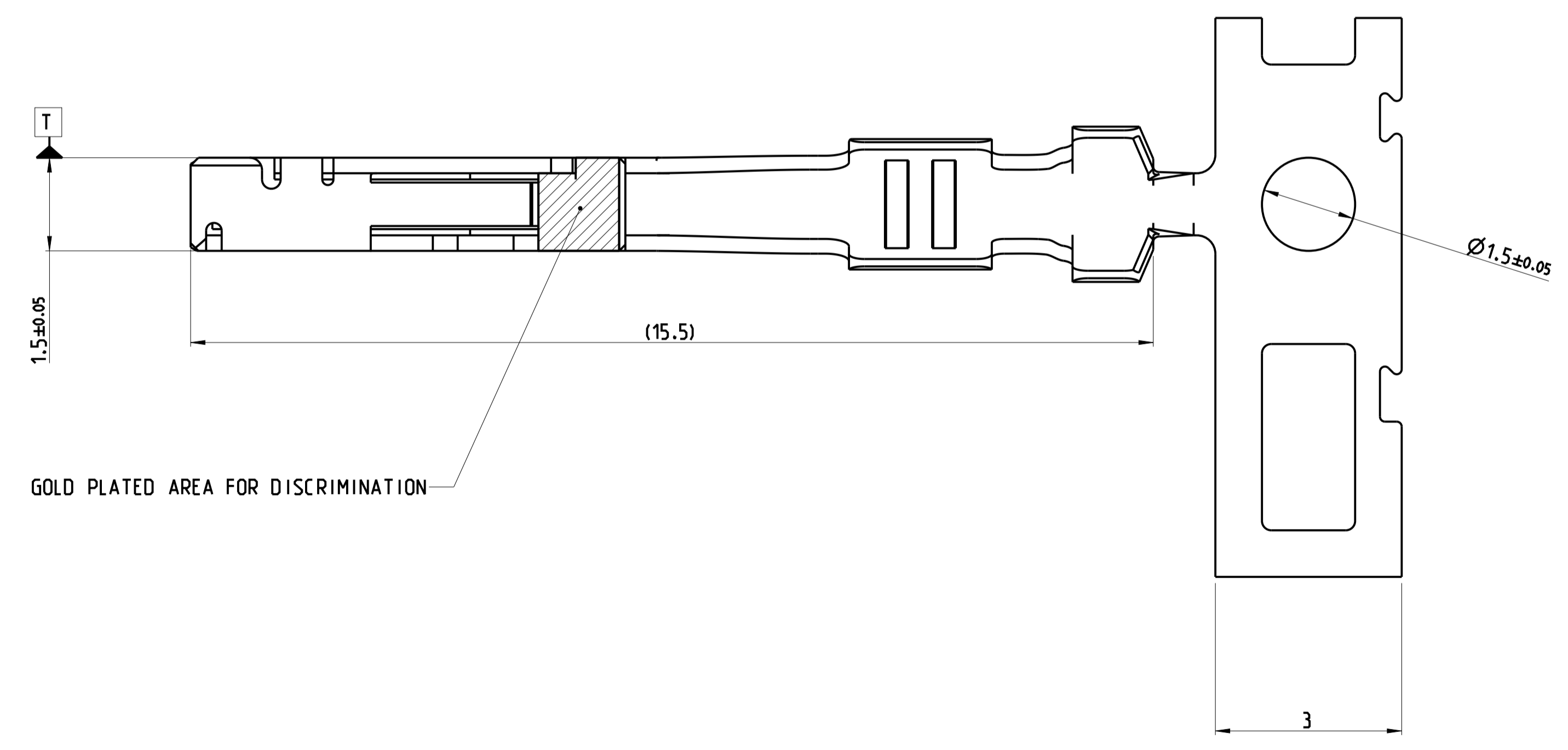


REVISIONS				
P	LTR	DESCRIPTION	DATE	DWH APVD
A		INITIAL RELEASE	13AUG2014	CS JPP



SECTION B-B



SECTION C-C

INDICE REVISION	REFERENCE TE	MATIERE	FINITION
PRODUIT	TE PN	MATERIALE	FINISH
PART			
REVISION			
CODE			
0	1801069-2	CuNiSi	DORE GOLD 0.8 µ mini

THIS DRAWING IS A CONTROLLED DOCUMENT.

DIMENSIONS:	TOLERANCES UNLESS OTHERWISE SPECIFIED:	DWH	C. SALGADO	13AUG2014
mm	0 PLC ±	CHK	JP. PICAUD	13AUG2014
	1 PLC ±0.1	APVD	J. DAHER	13AUG2014
	2 PLC ±0.2	NAME	CLIP 025 TH	
	3 PLC ±0.001	PRODUCT SPEC	0.22 A 0.5 SQ mm	
	4 PLC ±0.0001	APPLICATION SPEC	SIZE	CAGE CODE DRAWING NO
	ANGLES ±5°	FINISH	114-15120	RESTRICTED TO
MATERIAL		WEIGHT	0.2g	A 1 00779 C=1801069
		Customer Drawing	SCALE	15:1 SHEET 1 OF 1 REV A

STE TE Connectivity