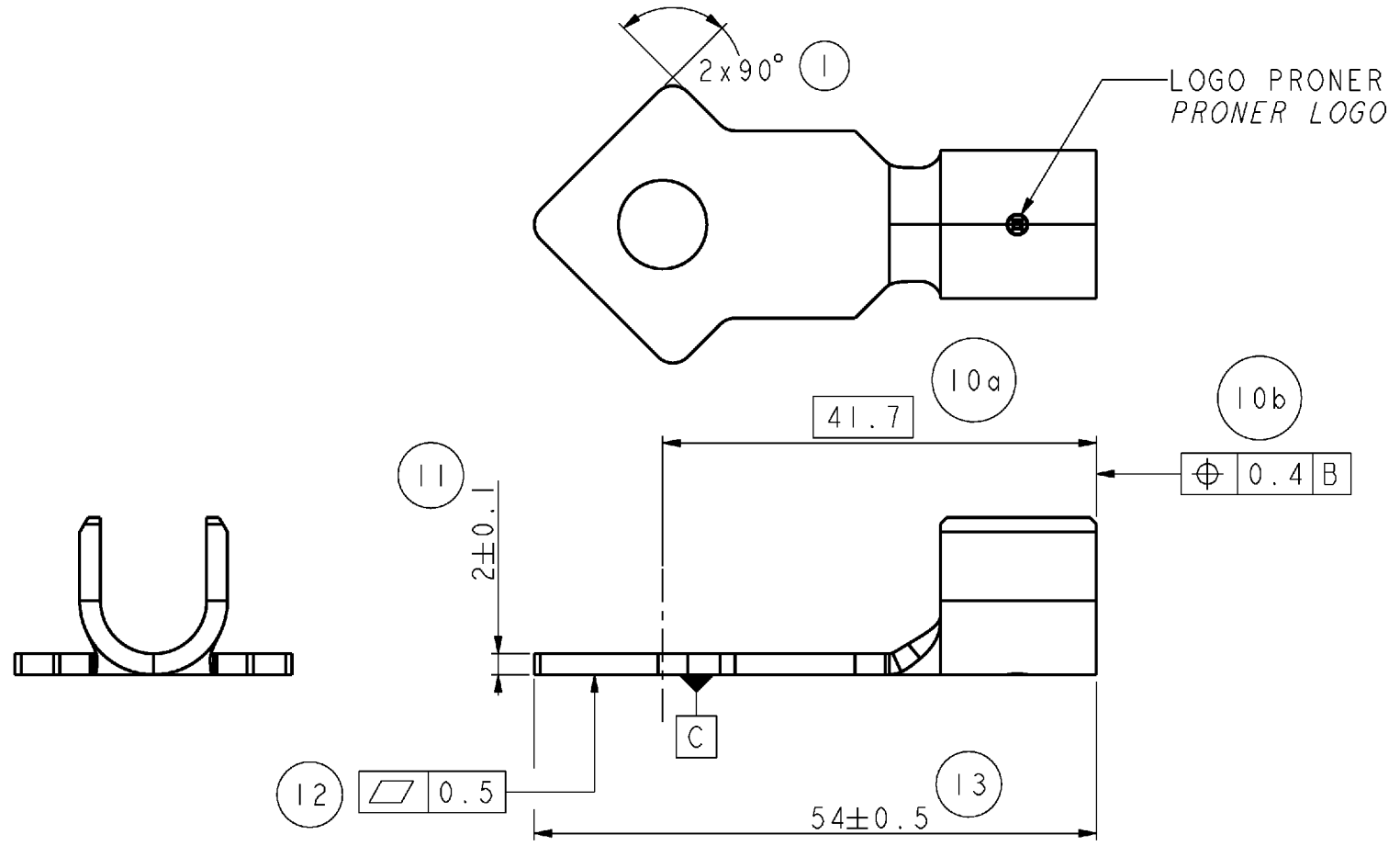


THIS DRAWING IS UNPUBLISHED.
 DIFFUSION RESTREINTE AMP
 © COPYRIGHT 2007 BY TYCO ELECTRONICS CORPORATION. ALL RIGHTS RESERVED.
 TOUS DROITS RESERVES

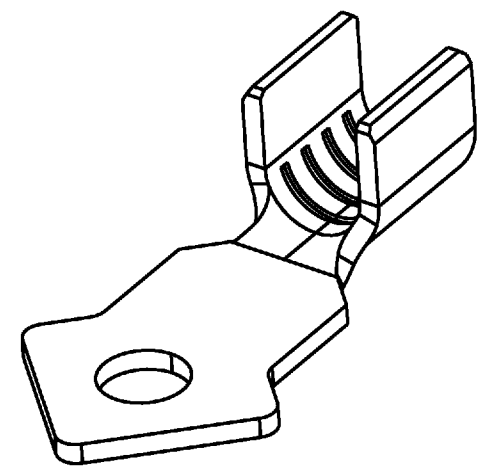
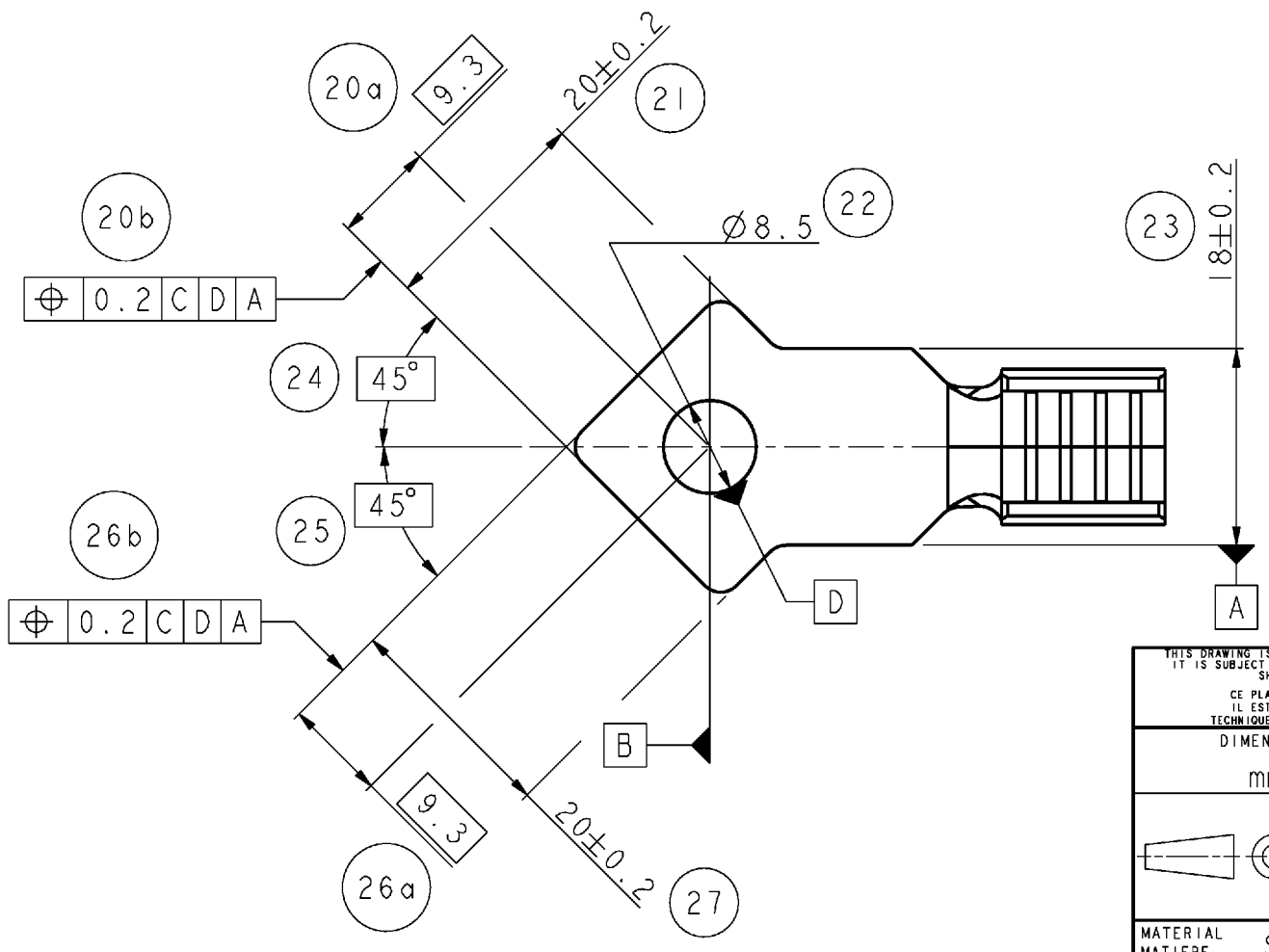
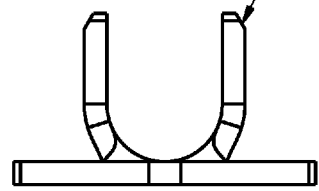
RELEASED FOR PUBLICATION
 LIBRE A LA DIFFUSION
 2007

LOC	DIST	REVISIONS			
P	LTR REV	DESCRIPTION MODIFICATIONS	DATE	DWN DESS.	APVD APP.
F	00	A	FIRST ISSUE	29MAY2007	FSt JDr



COTATION ET PARAMETRES
 DE SERTISSAGE DU FUT:
 VOIR PLAN 1544594
 FOR BARREL DIMENSION
 AND CRIMPING PARAMETERS:
 SEE DRAWING 1544594

NOTE/NOTA:
 EPAISSEUR MATIERE: 2±0.1mm
 MATERIAL THICKNESS: 2±0.1mm
 RAYON NON COTE: R2
 ALL RADIUS IF NOT SPECIFIED: R2



ETAMAGE 4 A 8 µm TINNING 4 TO 8 µm	CuZn33	1801363-1
TRAITEMENT DE SURFACE FINISH	MATIERE MATERIAL	REF. TE TE PN

THIS DRAWING IS A CONTROLLED DOCUMENT FOR TYCO ELECTRONICS CORPORATION IT IS SUBJECT TO CHANGE AND THE CONTROLLING ENGINEERING ORGANIZATION SHOULD BE CONTACTED FOR THE LATEST REVISION. CE PLAN EST UN DOCUMENT CONTROLE PAR AMP INCORPORATED. IL EST SUSCEPTIBLE D'ETRE REVISE. CONTACTER LE SERVICE TECHNIQUE D'AMP DE FRANCE POUR OBTENIR LA DERNIERE REVISION.		DWN/DESSINE 29MAY2007 F. SAPET CHK/VERIFIE 29MAY2007 P. CHARLES APVD/APPROUVE 29MAY2007 J. DAHER		Tyco Electronics Corporation 38 Chapareillan, France	
DIMENSIONS: mm		TOLERANCES UNLESS OTHERWISE SPECIFIED: TOLERANCES NON SPECIFIEES (SUIV NB DE DECIMALES): 0 PLC/DEC: ±- 1 PLC/DEC: ±0.1 2 PLC/DEC: ±- 3 PLC/DEC: ±- 4 PLC/DEC: ±- ANGLES ±5°		NAME TITRE P. CHARLES TERMINAL, LOZENGE TONG OPEN BARREL, 14-41 MM2 WIRE COSSE LOZANGE, GAMME 14-41 MM2	
MATERIAL MATIERE SEE TABLE		FINISH FINITION SEE TABLE		PRODUCT SPEC SPEC. PRODUIT P. CHARLES APPLICATION SPEC SPEC. APPLICATION 411-15733	
WEIGHT MASSE APPROX. 19g		SIZE FORMAT A3		CAGE CODE 300779	
CUSTOMER DRAWING /PLAN CLIENT		UNIFORMEMENT POUR REFERENCE		DRAWING NO No PLAN C=1801363	
SCALE ECHELLE 3:2		SHEET FEUILLE 1		OF DE 1	
REV A		RESTRICTED TO RESERVE A -			