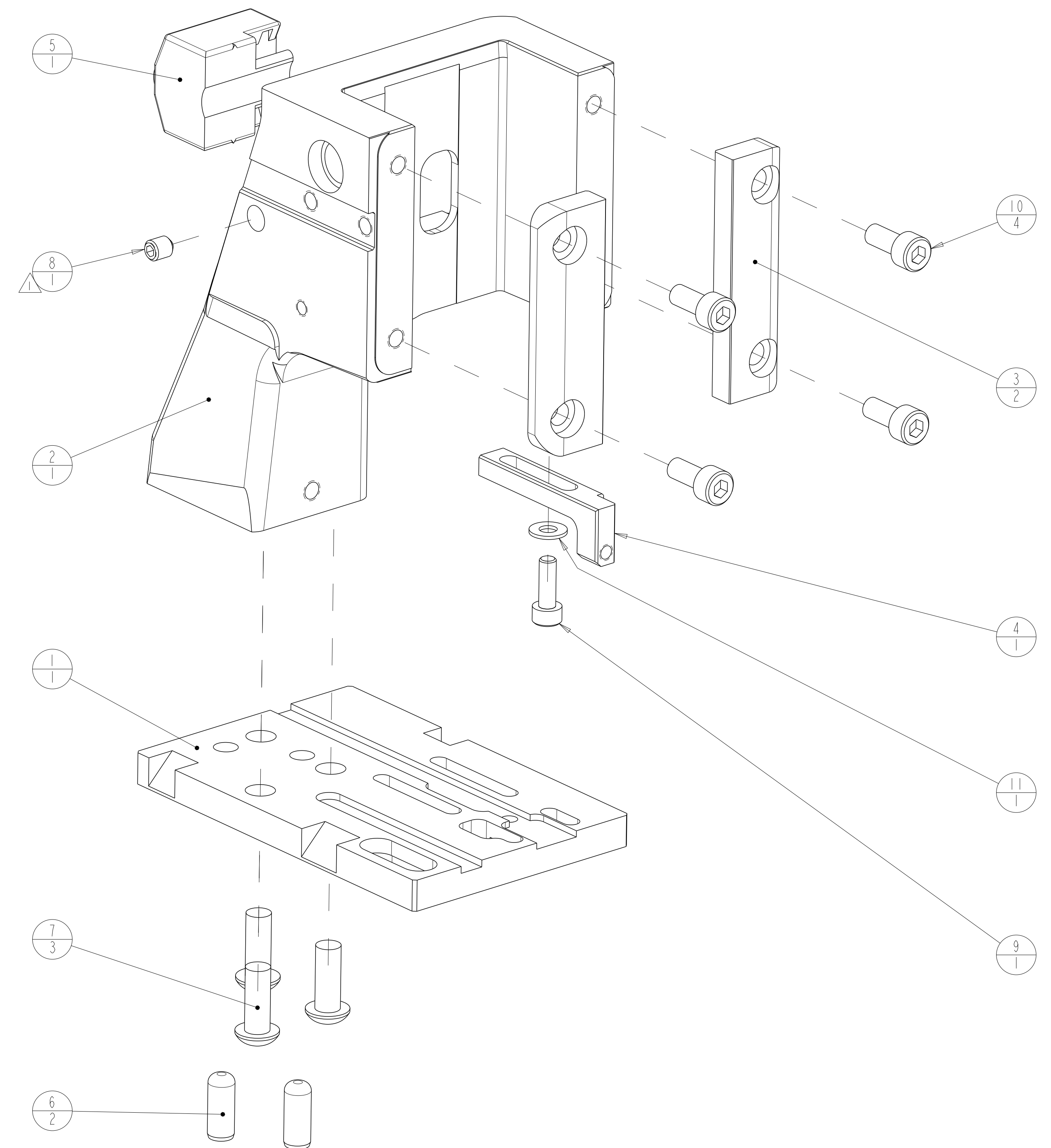


REVISIONS					
P.	LTN	DESCRIPTION	DATE	DWN	APVD
E3		ADDED - 47	16 JUN 2021	JWC	TE
E4		ADDED - 48	09 DEC 2021	LG	TE
E5		ADDED - 49 AND - 50	21 MAR 2024	HB	LS
E7		ADDED - 51	03 APR 2024	TB	GB

⚠ TIGHTEN SET SCREW 1/4 TURN AFTER IT FIRST COMES INTO CONTACT WITH COUNTER.  
 ⚠ THIS SUB-ASSEMBLY TO RUN ON THE FOLLOWING:  
 KOMAX BT700 SSC  
 KIRSTEN K750 STRIPPER CRIMPER SC  
 PAWO BIG STRIPPER/SEALER/CRIMPER  
 SCHLEUNIGER STRIP CRIMP Ø75



THIS DRAWING IS A CONTROLLED DOCUMENT.		DWN D. J. GOOD 18-Oct-18		
DIMENSIONS:		CHK J. STACHURA 18-Oct-18		
mm	TOLERANCES UNLESS OTHERWISE SPECIFIED:	APVD J. STACHURA 18-Oct-18	NAME APPLICATOR BASIC ASSEMBLY, SF	
0 PLC	±	PRODUCT SPEC	SIZE	
1 PLC	±0.5	APPLICATION SPEC	CAGE CODE	
2 PLC	±0.13	WEIGHT	DRAWING NO	
3 PLC	±0.013	CUSTOMER DRAWING	A100779C=1803583	
4 PLC	±	SCALE	3:2	
ANGLES	±	SHEET	1 OF 2	
FINISH	±	REV	E7	

PART NUMBER	REV	ASSEMBLY STYLE	APPLICATORS USED ON	BASE PLATE	HOUSING	RAM GIBS	STRIPPER MOUNT	COUNTER	DOWEL PIN	SCREWS	SET SCREW	SCREW	SCREW	WASHER
				QTY=1 (1)	QTY=1 (2)	QTY=2 (3)	QTY=1 (4)	QTY=1 (5)	QTY=2 (6)	QTY=3 (7)	QTY=1 (8)	QTY=1 (9)	QTY=4 (10)	QTY=1 (11)
1803583-1	D	ATLANTIC	SPECIAL (SEE BASE PLATE PRINT)	2844912-2	2119377-1	2119057-1	2119534-1	994970-2	2-21030-1	2168447-1	18032-4	2168083-3	2-2168083-0	1-18028-2
1803583-2	D	PACIFIC		2844976-2	2119377-1	2119057-1	2119534-1	994970-2	2-21030-1	2168863-2	18032-4	2168083-3	2-2168083-0	1-18028-2
1803583-3	D	ATLANTIC	MEDIUM SEAL 7.91mm-14.20mm APPLICATIONS	2844912-3	1803099-1	2119057-1	2119534-1	994970-2	2-21030-1	2168447-1	18032-4	2168083-3	2-2168083-0	1-18028-2
1803583-4	D	PACIFIC		2844976-3	1803099-1	2119057-1	2119534-1	994970-2	2-21030-1	2168863-2	18032-4	2168083-3	2-2168083-0	1-18028-2
1803583-5	D	ATLANTIC	SPECIAL (SEE BASE PLATE PRINT)	2844912-5	2119377-1	2119057-1	2119534-1	994970-2	2-21030-1	2168447-1	18032-4	2168083-3	2-2168083-0	1-18028-2
1803583-6	D	PACIFIC		2844976-5	2119377-1	2119057-1	2119534-1	994970-2	2-21030-1	2168863-2	18032-4	2168083-3	2-2168083-0	1-18028-2
1803583-7	D	ATLANTIC	SPECIAL (SEE BASE PLATE PRINT)	2844912-7	2119377-1	2119057-1	2119534-1	994970-2	2-21030-1	2168447-1	18032-4	2168083-3	2-2168083-0	1-18028-2
1803583-8	D	PACIFIC		2844976-7	2119377-1	2119057-1	2119534-1	994970-2	2-21030-1	2168863-2	18032-4	2168083-3	2-2168083-0	1-18028-2
1803583-9	D	ATLANTIC	DEFAULT (STANDARD) 7.9mm MAX SEAL	1-2844912-2	2119377-1	2119057-1	2119534-1	994970-2	2-21030-1	2168447-1	18032-4	2168083-3	2-2168083-0	1-18028-2
1-1803583-0	D	PACIFIC		1-2844976-2	2119377-1	2119057-1	2119534-1	994970-2	2-21030-1	2168863-2	18032-4	2168083-3	2-2168083-0	1-18028-2
1-1803583-1	D	ATLANTIC	SPECIAL (SEE BASE PLATE PRINT)	1-2844912-3	2119377-1	2119057-1	2119534-1	994970-2	2-21030-1	2168447-1	18032-4	2168083-3	2-2168083-0	1-18028-2
1-1803583-2	D	PACIFIC		1-2844976-3	2119377-1	2119057-1	2119534-1	994970-2	2-21030-1	2168863-2	18032-4	2168083-3	2-2168083-0	1-18028-2
1-1803583-3	D	ATLANTIC	SPECIAL (SEE BASE PLATE PRINT)	1-2844912-4	2119377-1	2119057-1	2119534-1	994970-2	2-21030-1	2168447-1	18032-4	2168083-3	2-2168083-0	1-18028-2
1-1803583-4	D	PACIFIC		1-2844976-4	2119377-1	2119057-1	2119534-1	994970-2	2-21030-1	2168863-2	18032-4	2168083-3	2-2168083-0	1-18028-2
1-1803583-5	D	ATLANTIC	SPECIAL (SEE BASE PLATE PRINT)	1-2844912-5	2119377-1	2119057-1	2119534-1	994970-2	2-21030-1	2168447-1	18032-4	2168083-3	2-2168083-0	1-18028-2
1-1803583-6	D	PACIFIC		1-2844976-5	2119377-1	2119057-1	2119534-1	994970-2	2-21030-1	2168863-2	18032-4	2168083-3	2-2168083-0	1-18028-2
1-1803583-7	D	ATLANTIC	LARGE SEAL 14.21mm-17.50mm APPLICATIONS	1-2844912-6	1803099-1	2119057-1	2119534-1	994970-2	2-21030-1	2168447-1	18032-4	2168083-3	2-2168083-0	1-18028-2
1-1803583-8	D	PACIFIC		1-2844976-6	1803099-1	2119057-1	2119534-1	994970-2	2-21030-1	2168863-2	18032-4	2168083-3	2-2168083-0	1-18028-2
1-1803583-9	D	ATLANTIC	ULTRA FAST (SPECIAL CARRIER SCRAP GUIDE FEATURES)	2161334-2	2119377-1	2119057-1	2119534-1	994970-2	2-21030-1	2168447-1	18032-4	2168083-3	2-2168083-0	1-18028-2
2-1803583-0	D	PACIFIC		2161333-2	2119377-1	2119057-1	2119534-1	994970-2	2-21030-1	2168863-2	18032-4	2168083-3	2-2168083-0	1-18028-2
2-1803583-1	D	ATLANTIC	PAWO/KIRSTEN (SEE HOUSING PRINT)	1-2844912-2	1803066-1	2119057-1	-	994970-2	2-21030-1	2168447-1	18032-4	-	2-2168083-0	-
2-1803583-2	D	PACIFIC		1-2844976-2	1803066-1	2119057-1	-	994970-2	2-21030-1	2168863-2	18032-4	-	2-2168083-0	-
2-1803583-3	D	ATLANTIC	CUTOUT HOUSING WITH ALTERNATE STRIPPER LOCATION	1-2844912-2	1803099-1	2119057-1	-	994970-2	2-21030-1	2168447-1	18032-4	-	2-2168083-0	-
2-1803583-4	D	PACIFIC		1-2844976-2	1803099-1	2119057-1	-	994970-2	2-21030-1	2168863-2	18032-4	-	2-2168083-0	-
2-1803583-5	E	ATLANTIC	SMALL TERMINAL APPLICATOR	1803201-2	1803099-1	2119057-1	2119534-1	994970-2	2-21030-1	2168447-1	18032-4	2168083-3	2-2168083-0	1-18028-2
2-1803583-6	D	ATLANTIC	LARGE SEAL APPLICATIONS 14.21mm-17.50mm WITH BASE PLATE RELIEF	1-2844912-7	1803099-1	2119057-1	2119534-1	994970-2	2-21030-1	2168447-1	18032-4	2168083-3	2-2168083-0	1-18028-2
2-1803583-7	D	PACIFIC		1-2844976-7	1803099-1	2119057-1	2119534-1	994970-2	2-21030-1	2168863-2	18032-4	2168083-3	2-2168083-0	1-18028-2
2-1803583-8	D	ATLANTIC	CUTOUT HOUSING WITH STANDARD STRIPPER	1-2844912-2	1803099-1	2119057-1	2119534-1	994970-2	2-21030-1	2168447-1	18032-4	2168083-3	2-2168083-0	1-18028-2
2-1803583-9	D	PACIFIC		1-2844976-2	1803099-1	2119057-1	2119534-1	994970-2	2-21030-1	2168863-2	18032-4	2168083-3	2-2168083-0	1-18028-2
3-1803583-0	E	PACIFIC	SMALL TERMINAL APPLICATOR	1803347-2	2119377-1	2119057-1	2119534-1	994970-2	2-21030-1	2168863-2	18032-4	2168083-3	2-2168083-0	1-18028-2
3-1803583-1	D	ATLANTIC	DUAL CRIMP APPLICATOR	1803351-2	1803099-1	2119057-1	2119534-1	994970-2	-	2168447-1	18032-4	2168083-3	2-2168083-0	1-18028-2
3-1803583-2	D	PACIFIC		1803352-2	1803099-1	2119057-1	2119534-1	994970-2	-	2168863-2	18032-4	2168083-3	2-2168083-0	1-18028-2
3-1803583-3	D	ATLANTIC	PAWO/KIRSTEN (SEE HOUSING PRINT)	2844912-3	1803066-1	2119057-1	-	994970-2	2-21030-1	2168447-1	18032-4	-	2-2168083-0	-
3-1803583-4	D	PACIFIC		2844976-3	1803066-1	2119057-1	-	994970-2	2-21030-1	2168863-2	18032-4	-	2-2168083-0	-
3-1803583-5	D	ATLANTIC	BASE PLATE W/SCRAP CUTOUT	1-2844912-8	2119377-1	2119057-1	2119534-1	994970-2	2-21030-1	2168447-1	18032-4	2168083-3	2-2168083-0	1-18028-2
3-1803583-6	D	PACIFIC		1-2844976-8	2119377-1	2119057-1	2119534-1	994970-2	2-21030-1	2168863-2	18032-4	2168083-3	2-2168083-0	1-18028-2
3-1803583-7	D	ATLANTIC	PAWO/KIRSTEN (SEE HOUSING PRINT)	1-2844912-6	1803066-1	2119057-1	-	994970-2	2-21030-1	2168447-1	18032-4	-	2-2168083-0	-
3-1803583-8	D	PACIFIC		1-2844976-6	1803066-1	2119057-1	-	994970-2	2-21030-1	2168863-2	18032-4	-	2-2168083-0	-
3-1803583-9	D	PACIFIC	BASE PLATE W/UNDERCUT	1-2844976-9	2119377-1	2119057-1	2119534-1	994970-2	2-21030-1	2168863-2	18032-4	2168083-3	2-2168083-0	1-18028-2
4-1803583-1	D	ATLANTIC	LARGE WIRE INSULATION (NO INSULATION BARREL)	2-2844912-0	1803099-1	2119057-1	2119534-1	994970-2	2-21030-1	2168447-1	18032-4	2168083-3	2-2168083-0	1-18028-2
4-1803583-2	D	PACIFIC		2-2844976-0	1803099-1	2119057-1	2119534-1	994970-2	2-21030-1	2168447-1	18032-4	2168083-3	2-2168083-0	1-18028-2
4-1803583-3	E	ATLANTIC	DUAL CRIMP APPLICATOR W/SPECIAL FLOATING SHEAR	1803351-4	1803099-1	2119057-1	2119534-1	994970-2	-	2168447-1	18032-4	2168083-3	2-2168083-0	1-18028-2
4-1803583-4	E	PACIFIC		1803352-4	1803099-1	2119057-1	2119534-1	994970-2	-	2168863-2	18032-4	2168083-3	2-2168083-0	1-18028-2
4-1803583-5	E	ATLANTIC	BASE PLATE WITH THROUGH SLOT USED WITH ADJUSTABLE TERMINAL SUPPORT	2-2844912-1	2119377-1	2119057-1	2119534-1	994970-2	2-21030-1	2168447-1	18032-4	2168083-3	2-2168083-0	1-18028-2
4-1803583-6	E	PACIFIC		2-2844976-1	2119377-1	2119057-1	2119534-1	994970-2	2-21030-1	2168863-2	18032-4	2168083-3	2-2168083-0	1-18028-2
4-1803583-7	E	ATLANTIC	SPECIAL (SEE BASE PLATE PRINT)	1803975-1	2119377-1	2119057-1	2119534-1	994970-2	2-21030-1	2168447-1	18032-4	2168083-3	2-2168083-0	1-18028-2
4-1803583-8	E	ATLANTIC	PAWO/KIRSTEN SMALL TERMINAL APPLICATOR	1803201-2	1803066-1	2119057-1	-	994970-2	2-21030-1	2168447-1	18032-4	-	2-2168083-0	-
4-1803583-9	E	ATLANTIC	DUAL CRIMP APPLICATOR	2482888-2	1803099-1	2119057-1	2119534-1	994970-2	2-21030-1	2168447-1	18032-4	2168083-3	2-2168083-0	1-18028-2
5-1803583-0	E	ATLANTIC	DUAL CRIMP APPLICATOR W/SPECIAL FLOATING SHEAR	2482888-1	1803099-1	2119057-1	2119534-1	994970-2	2-21030-1	2168447-1	18032-4	2168083-3	2-2168083-0	1-18028-2
5-1803583-1	E	ATLANTIC	SPECIAL SMALL TERMINAL APPLICATOR	1803201-3	1803099-1	2119057-1	2119534-1	994970-2	2-21030-1	2168447-1	18032-4	2168083-3	2-2168083-0	1-18028-2

REVISIONS				
REV	DATE	DESCRIPTION	BY	APPV
-	-	SEE SHEET 1	-	-

THIS DRAWING IS A CONTROLLED DOCUMENT.

OWN: D.J. GOOD 18-Oct-18  
CHK: J. STACHURA 18-Oct-18  
APPV: J. STACHURA 18-Oct-18

**STE** TE Connectivity

NAME: APPLICATOR BASIC ASSEMBLY, SF

SIZE: A1 CAGE CODE: 1803583 DRAWING NO: 100779

RESTRICTED TO: -

MATERIAL: - FINISH: - WEIGHT: -

CUSTOMER DRAWING SCALE: 3:4 SHEET: 2 OF 2 REV: E7