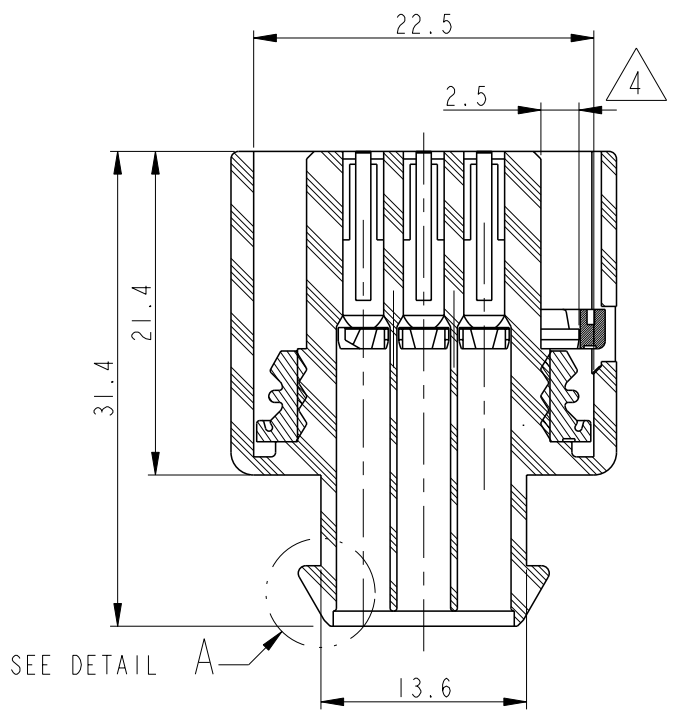
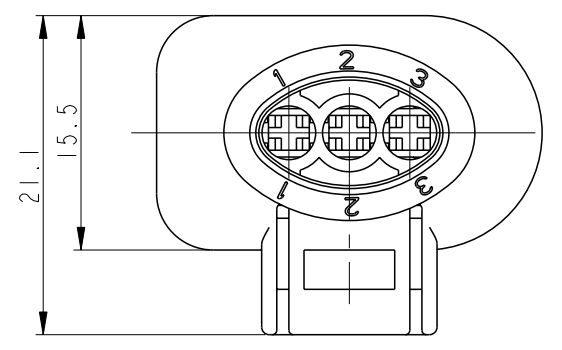
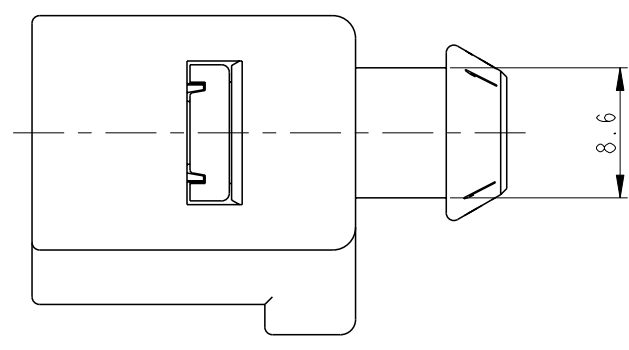
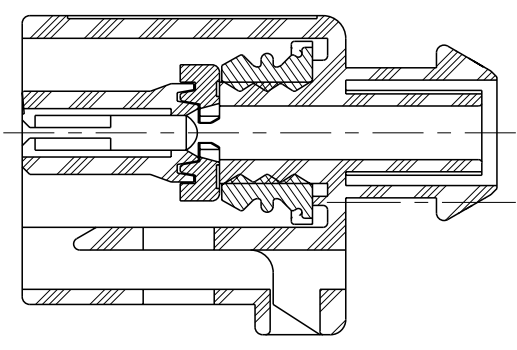
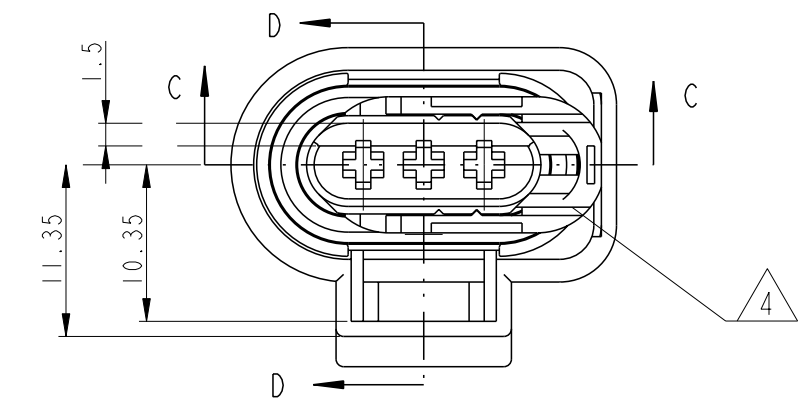
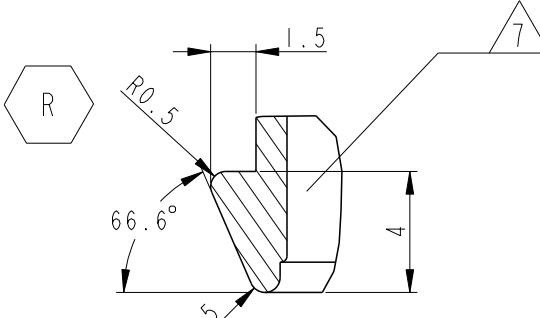
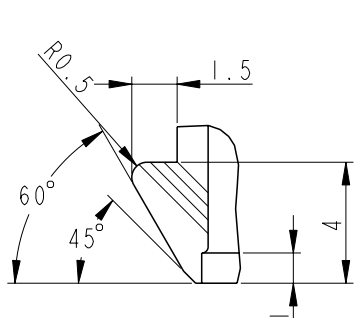


LOC		DIST		REVISIONS			
P	LTR	DESCRIPTION	DATE	DWN	APVD		
	O	NEW RELEASED	20APR2006	S.X	K.O		
	R	CHANGE FEATURE AND MARK ECR-16-012797	23SEP2016	C.N	I.Y		



SECTION D-D



DETAIL A
SCALE 4:1

DETAIL A
SCALE 4:1

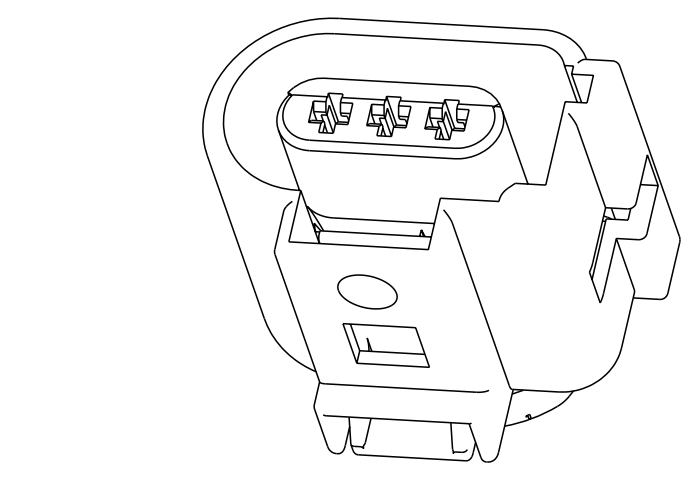
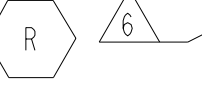
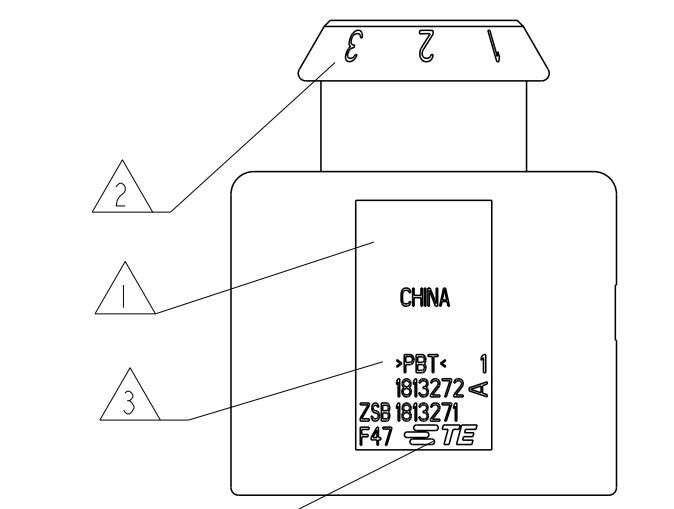
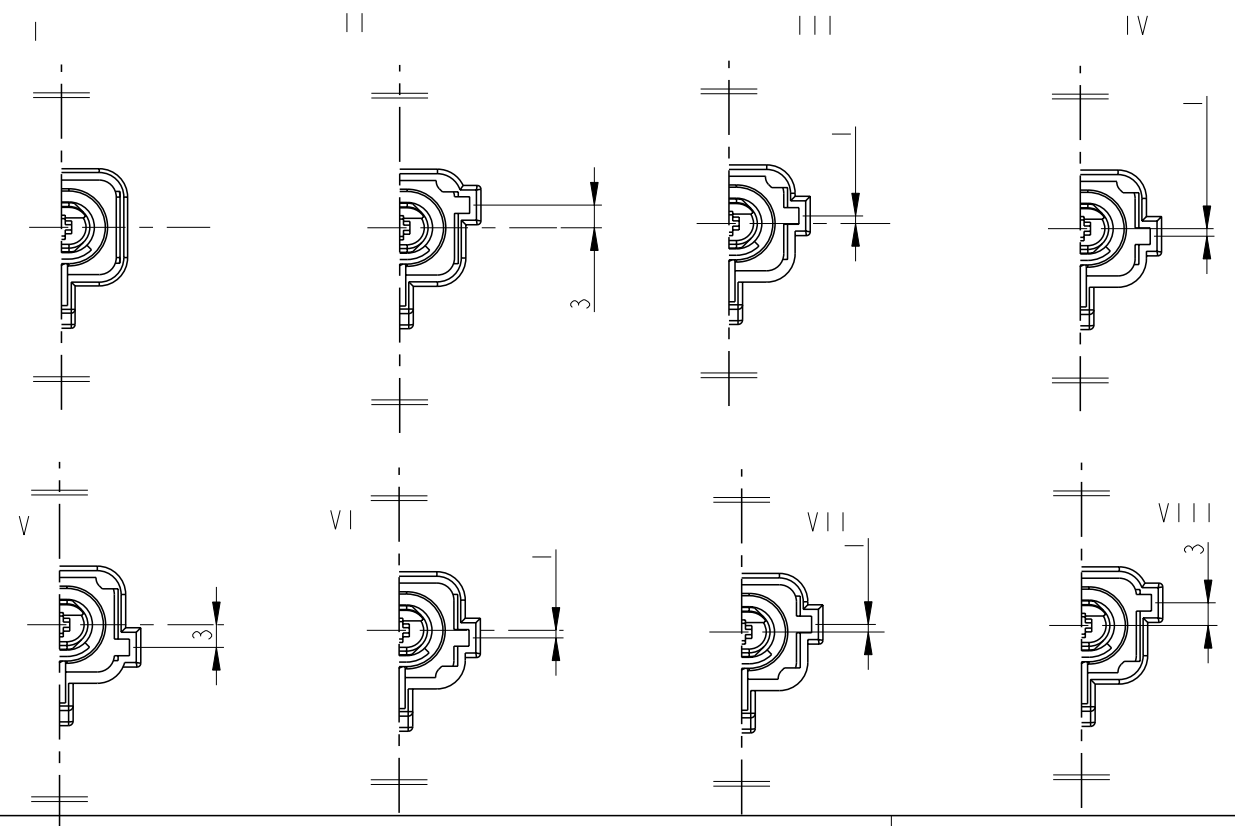
NOTES

- 1 AREA EXCHNGABLE
- 2 CONTACT CAVITY NUMBER: CHARACTERS 2.5 RECEDE 0.3
- 3 MATERIAL MARKING ACC. TO VDA 260
- 4 SHOWN AS SUPPLIED: RETAINER IN PRE-LOCKED POSITION.

5 BULK PACKAGED

- 6 TE LOGO DEVIATION FOR OLD MOLD
- 7 NEW SHAPE APPLIED FOE NEW MOLD AND MOLD REPLACEMENT

CODINGS



CODING	ASSY NO	MATERIAL	COLOR FINISH	DESCRIPTION	Q'TY	ITEM NO
V III	1-1813271-0	MVQ	ORANGE	SEAL RING, 3 POSN	1	3
		PBT GF10	VIOLET	PLUG DBL PL, 3 POSN	1	2
V I	1813271-9	PBT	GREY	PLUG HSG, 3 POSN	1	1
		MVQ	ORANGE	SEAL RING, 3 POSN	1	3
I V	1813271-8	PBT GF10	VIOLET	PLUG DBL PL, 3 POSN	1	2
		PBT	WHITE	PLUG HSG, 3 POSN	1	1
III	1813271-7	MVQ	ORANGE	SEAL RING, 3 POSN	1	3
		PBT GF10	VIOLET	PLUG DBL PL, 3 POSN	1	2
III	1813271-6	PBT	ORANGE	PLUG HSG, 3 POSN	1	1
		MVQ	ORANGE	SEAL RING, 3 POSN	1	3
III	1813271-5	PBT GF10	VIOLET	PLUG DBL PL, 3 POSN	1	2
		PBT	BLACK	PLUG HSG, 3 POSN	1	1
II	1813271-4	MVQ	ORANGE	SEAL RING, 3 POSN	1	3
		PBT GF10	VIOLET	PLUG DBL PL, 3 POSN	1	2
II	1813271-3	PBT	DARK BLUE	PLUG HSG, 3 POSN	1	1
		MVQ	ORANGE	SEAL RING, 3 POSN	1	3
I	1813271-2	PBT GF10	VIOLET	PLUG DBL PL, 3 POSN	1	2
		PBT	BROWN	PLUG HSG, 3 POSN	1	1
I	1813271-1	MVQ	ORANGE	SEAL RING, 3 POSN	1	3
		PBT GF10	VIOLET	PLUG DBL PL, 3 POSN	1	2
I	1813271-1	PBT	BLACK	PLUG HSG, 3 POSN	1	1

THIS DRAWING IS A CONTROLLED DOCUMENT FOR TYCO ELECTRONICS CORPORATION. IT IS SUBJECT TO CHANGE AND THE CONTROLLING ENGINEERING ORGANIZATION SHOULD BE CONTACTED FOR THE LATEST REVISION.

DWN: S.XUE 20APR2006
 CHK: R.ZHOU 20APR2006
 APVD: K.ODA 20APR2006

TOLERANCES UNLESS OTHERWISE SPECIFIED: ±0.3

0-PLC ±
 1-PLC ±
 2-PLC ±
 3-PLC ±
 4-PLC ±
 ANGLES ±
 FINISH

MATERIAL: S.TAB

APPLICATION SPEC: 108-18179-1

WEIGHT: 6.21g

tyco Electronics
 Tyco Electronics AMP
 Shanghai, China

NAME: PLUG HOUSING ASSEMBLY, 3 POSITION
 RADIAL SEALED MICRO TIMER II

SIZE: A2 CAGE CODE: 00779 DRAWING NO: C-1813271 RESTRICTED TO: -

CUSTOMER DRAWING SCALE: 2:1 SHEET 1 OF 1 REV R