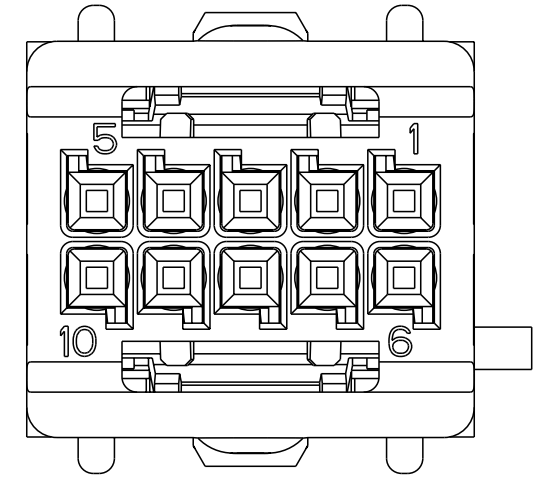
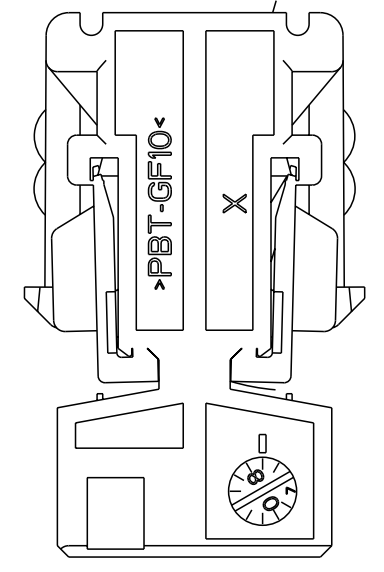


THIS DRAWING IS UNPUBLISHED. RELEASED FOR PUBLICATION 2015  
 © COPYRIGHT 2015 ALL RIGHTS RESERVED.

LOC		DIST		REVISIONS			
P	LTR	DESCRIPTION	DATE	DWN	APVD		
A		NEW DRAWING RELEASED	02SEP2015	T.D	S.W		
AI		Revised (ECR-24-212793)	25JUN2024	DMR	S.W		

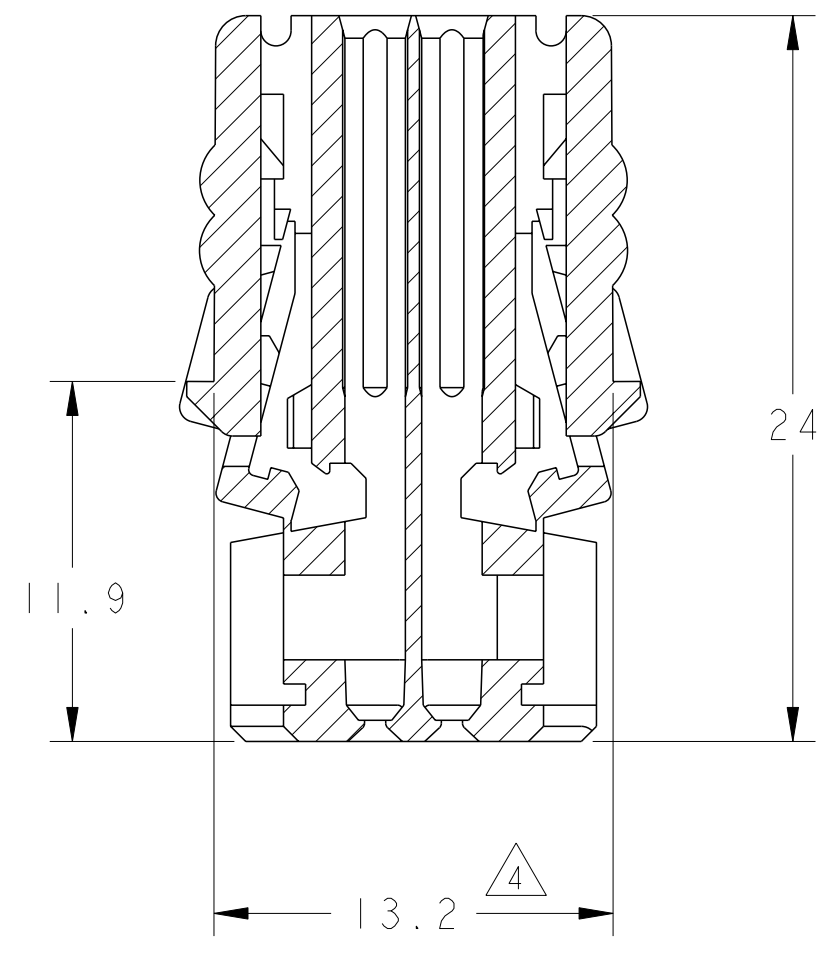
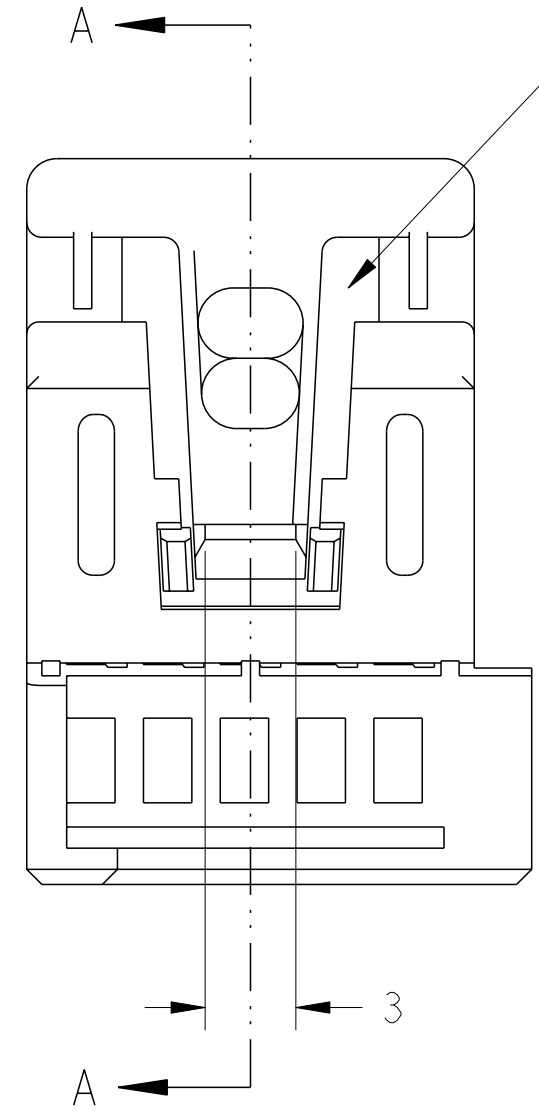
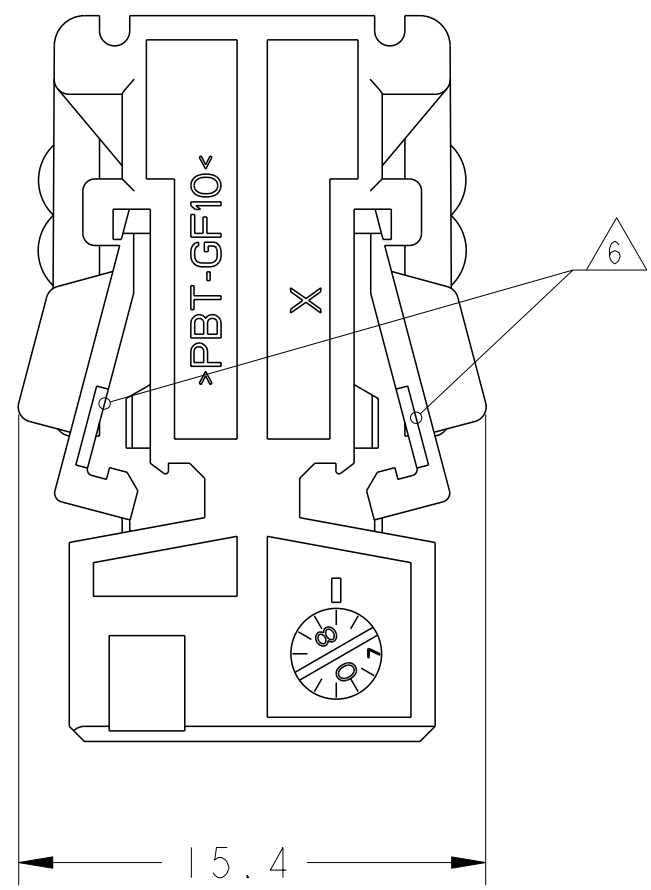
RETAINER IN LOCKED POSITION



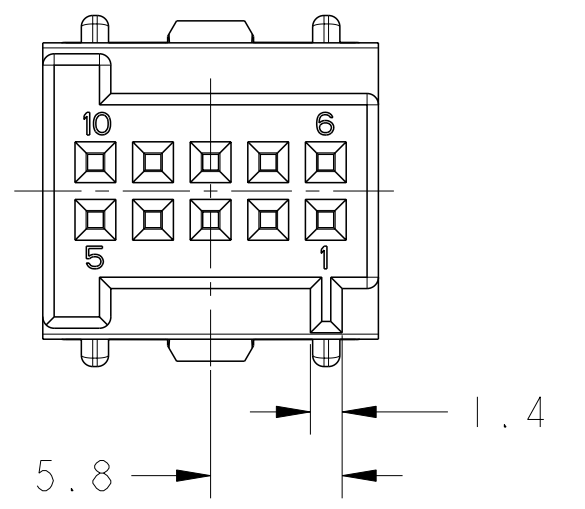
NOTES:

1. MOULD BURRS MAX.0.3 PERMITTED
2. RECYCLED MATERIAL MAX.25% PERMISSIBLE
3. DETAILS OF DESIGN ARE LEFT TO MANUFACTURE
- △ WARPAGE PERMITTED TO MAX. 0.3(TO MINUS DIRECTION)
- ⬡ 5. SHROUDED CONNECTION SEE DRAWING: 114-18892
- △ CONDITION AS DELIVERY: IN PRE LOCKED POSITION
7. SUITABLE FOR CONTACT SEE DRAWING: 929454

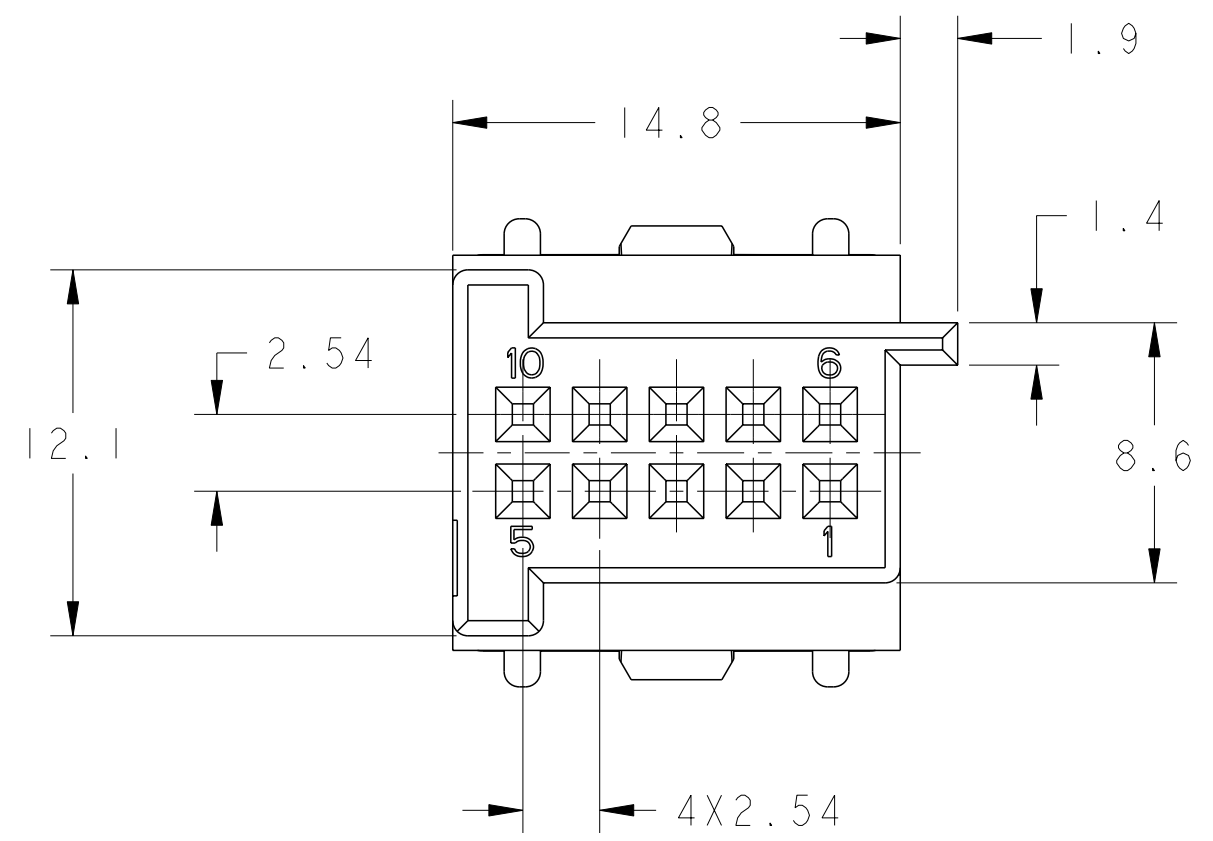
MATERIAL: PBT-GF10



SECTION A-A



-3 AS SHOW



-1 AS SHOW

2.7	BLUE	A	1813967-3	C
2.7	BLACK	A	1813967-1	A
WEIGHT (g)	COLOR	REV.	TE ORDER NO.	COD.

DIMENSIONS:		TOLERANCES UNLESS OTHERWISE SPECIFIED:		DWN		CHK		APVD		NAME	
mm		ACC. TO DIN16901-140		T. DONG 02SEP2015		A. DANG 02SEP2015		S. WANG 02SEP2015		TE Connectivity	
		6-PLC ±.5 1-PLC ±0.13 2-PLC ±0.13 3-PLC ±0.13 4-PLC ±0.001 ANGLES ± FINISH ±		PRODUCT SPEC		APPLICATION SPEC		WEIGHT SEE TABLE		MICRO QUADLOCK SYSTEM SOCKET HSG., 10Pos.	
MATERIAL		-		RESTRICTED CUSTOMER		SCALE 3:1		SHEET 1 OF 1		REV AI	

Printed on 25 Jun 2024 11:39 (India Standard Time) from TE463367