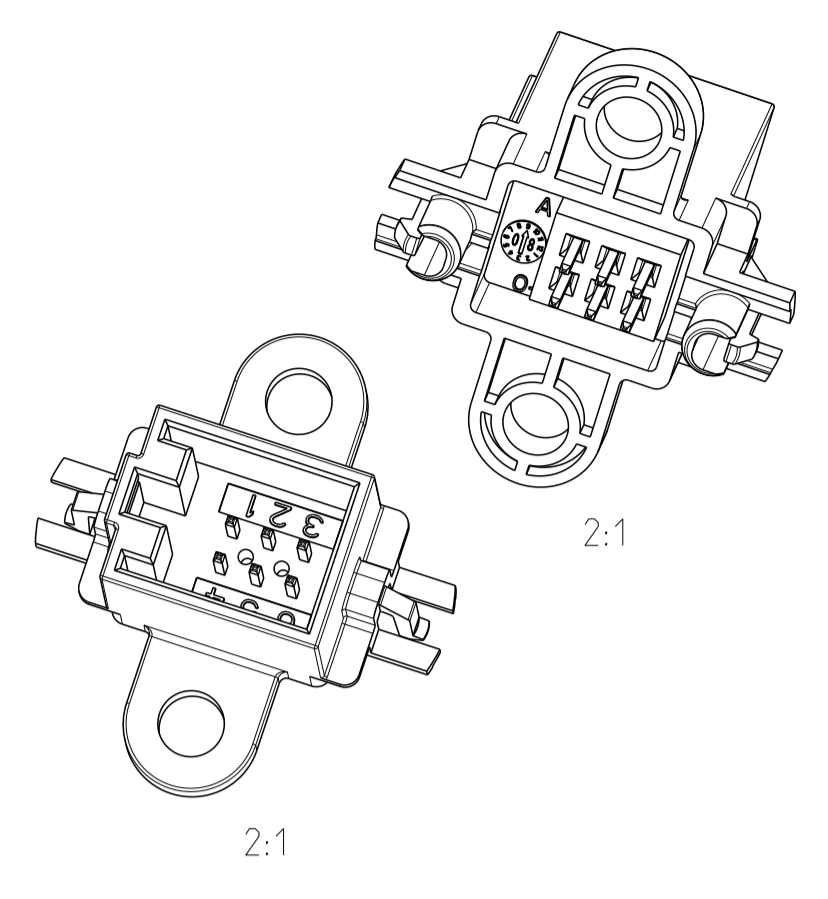


REVISIONS				
P.	LTH	DESCRIPTION	DATE	DWN APVD
C1		PCB Layout added	02MAY2019	KK BF



- NOTES:
 Bemerkungen:
- CHARACTERS DEEPENED RAISED
Schrift vertieft erhaben
 - NOT SPECIFIED RADII R0.5±0.1
Unbenannte Radien R0.5±0.1
 - ONLY THE GERMAN LANGUAGE VERSION SHALL BE BINDING
Massgebend ist der deutsche Text
 - CODING A AS SHOWN
Kodierung A wie dargestellt
 - CONTACTS TINPLATED
Kontakte verzinkt
 - CONTACT RETENTION FORCES MIN. 30N
(DEVIATING TO DC -NO.: A210 000 74 99 /
TE SPEC.-NO.: 114-18063-001)
(abweichend zu DC-Nr.: A210 000 74 99 /
TE Spec.-Nr.: 114-18063-001)
 - PART NUMBER
Teilenummer
 - PART REVISION INDEX
Revisionsstand
 - TE ASSEMBLY NUMBER
TE Baugruppennummer
 - PRODUCTION DATE
Datum
 - TE LOGO
TE Logo
 - PLATING IN AREA OF CONTACT
MATING CONNECTOR WITH THE SAME METAL PLATING
PLATING HAS TO BE SIMILAR OF ALL 4 SURFACES
Beschichtung im Kontaktbereich
Gegenstecker mit gleicher Metallbeschichtung
Beschichtung muss auf allen 4 Flächen gleiche sein
 - CAVITY MARKING
Nestmarkierung
 - PACKAGING: LOOSE MATERIAL ALL INTO CARTON
Verpackung: Schuettgutverpackung im Karton

Ausdruckkraft bis ca. 30N
 CONTACT RETENTION FORCES MIN. 30N

COD	TE-PN.	ASSY Rev.	QTY.	REV.	TE No	COLOUR	MATERIAL	DESCRIPTION	ITEM
D	0-1823172-2	C	6	A	7-968455-8		Cu Sn 0.15	PIN 0.64 x 0.64	2
			1	C	0-1823173-2	WHITE	PPA-GF25	HOUSING	1
A	0-1823172-1	B	6	A	7-968455-8		Cu Sn 0.15	PIN 0.64 x 0.64	2
			1	B	0-1823173-1	BLACK	PPA-GF25	HOUSING	1

Kodierung siehe Kundenzeichnung
 WSK 013 070 J
 CODING SEE CUSTOMER DRAWING
 WSK 013 070 J

THIS DRAWING IS A CONTROLLED DOCUMENT. DWN 240CT2008
 O.T. 240CT2008
 CHK H.S.
 DIMENSIONS: mm
 TOLERANCES UNLESS OTHERWISE SPECIFIED: DIN 16901-130
 0 PLC ±
 1 PLC ±
 2 PLC ±
 3 PLC ±
 4 PLC ±
 ANGLES ±1°
 MATERIAL - FINISH -
 THIS DRAWING IS A CONTROLLED DOCUMENT. DWN 240CT2008
 O.T. 240CT2008
 CHK H.S.
 DIMENSIONS: mm
 TOLERANCES UNLESS OTHERWISE SPECIFIED: DIN 16901-130
 0 PLC ±
 1 PLC ±
 2 PLC ±
 3 PLC ±
 4 PLC ±
 ANGLES ±1°
 MATERIAL - FINISH -
 CUSTOMER DRAWING

NAME: 6 POS - MQS PINHEADER ASSY
 PIN / PASTE
 SIZE: A1
 CAGE CODE: 00779
 DRAWING NO: 1823172
 RESTRICTED TO: 1
 SCALE: 5:1
 SHEET: 1 OF 1
 REV: C 1

TE Connectivity