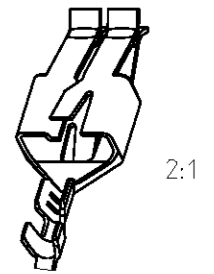
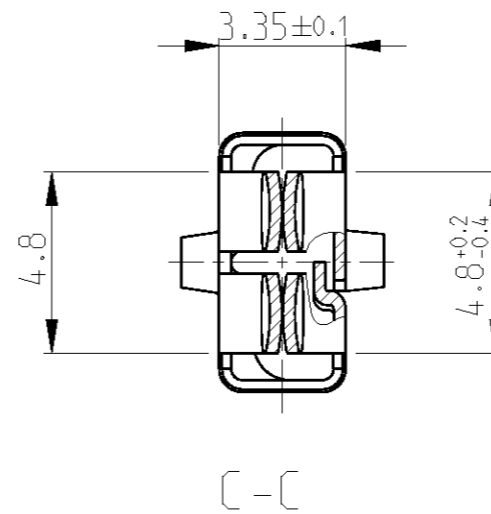
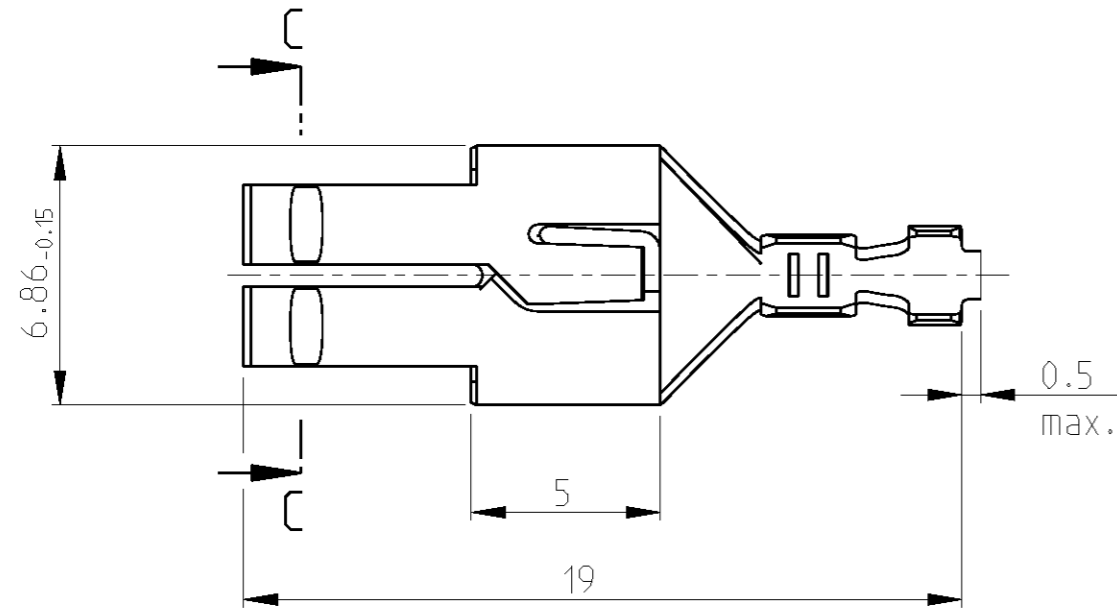
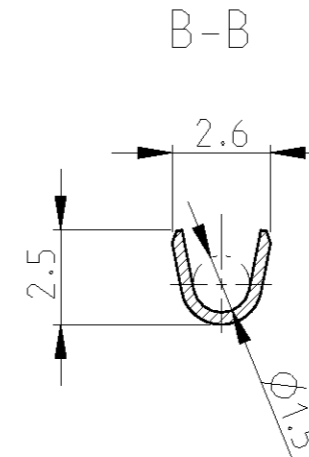
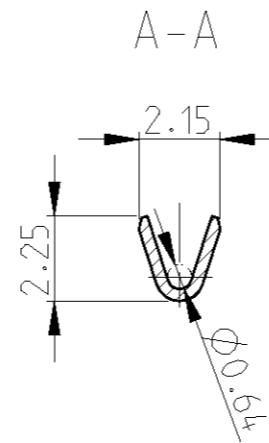
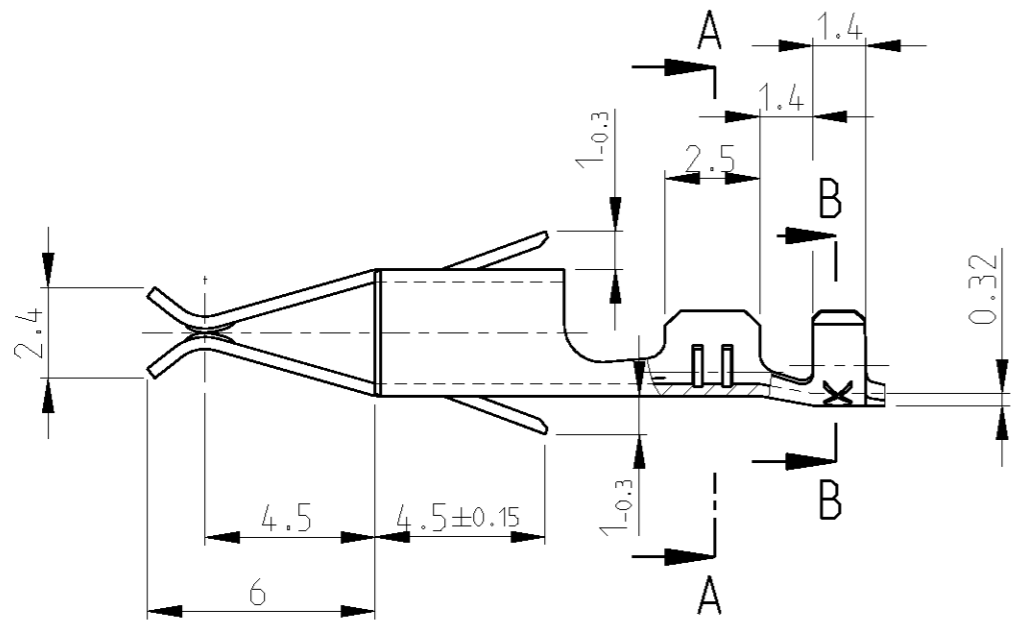


LOC  
A1

DIST  
2

REVISIONS

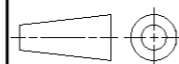
P	LTR	DESCRIPTION	DATE	DWN	APVD
A		NEW DRAWING CREATED	03MAR2009	Abr	Brun
B		DRAWING ADAPTED ECR-10-016842	18AUG2010	JS	LB
C		SEE ECR-11-010607	29MAR2011	JS	LB
C1		SEE ECR 11-014315	08JUL2011	JS	LB



Pre-Tin (vorverzinnt)	CuSn4	1823562-2	C
Pre-Tin (vorverzinnt)	CuZn30	1823562-1	C
FINISH	MATERIAL	PART NO.	REV.

THIS DRAWING IS A CONTROLLED DOCUMENT.

DIMENSIONS:  
mm



TOLERANCES UNLESS OTHERWISE SPECIFIED:

0 PLC	±	±0.2
1 PLC	±	
2 PLC	±	
3 PLC	±	
4 PLC	±	±1°
ANGLES	±	

MATERIAL -

FINISH -

DWN 03MAR2009

Abraham.G.

CHK 04MAR2009

Brunner.M.

APVD 05MAR2009

Bleicher.M.

PRODUCT SPEC

108-18054

APPLICATION SPEC

114-18080

WEIGHT

0.6 g

CUSTOMER DRAWING



TE Connectivity

NAME  
STANDARD TIMER CONTACT  
(TWO LOCKING LANCE)

SIZE	CAGE CODE	DRAWING NO	RESTRICTED TO
A3	00779	©=1823562	-

WIRE RANGE 0.2-0.5 mm<sup>2</sup>  
 Drahtgroessenbereich 0.2-0.5 mm<sup>2</sup>  
 INSULATION RANGE Ø1.0-1.6 mm  
 Isolationsbereich Ø1.0-1.6 mm