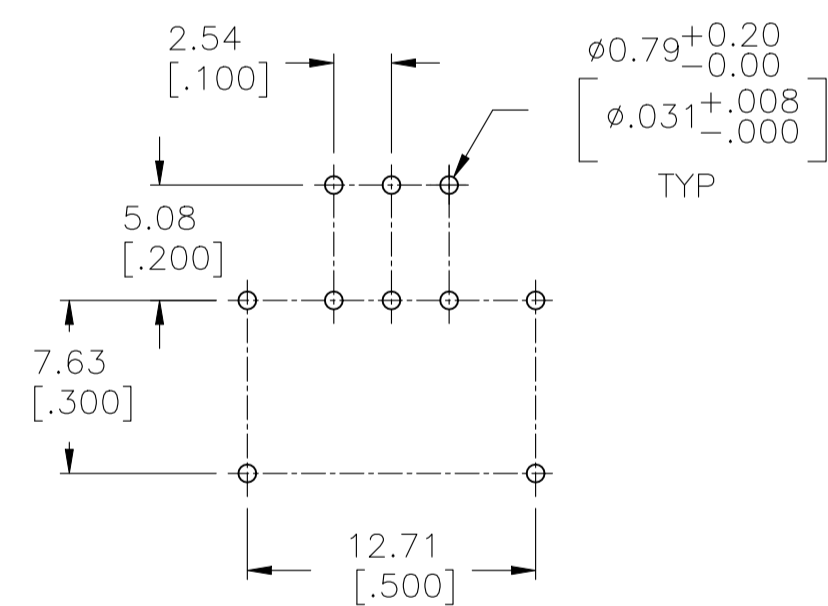


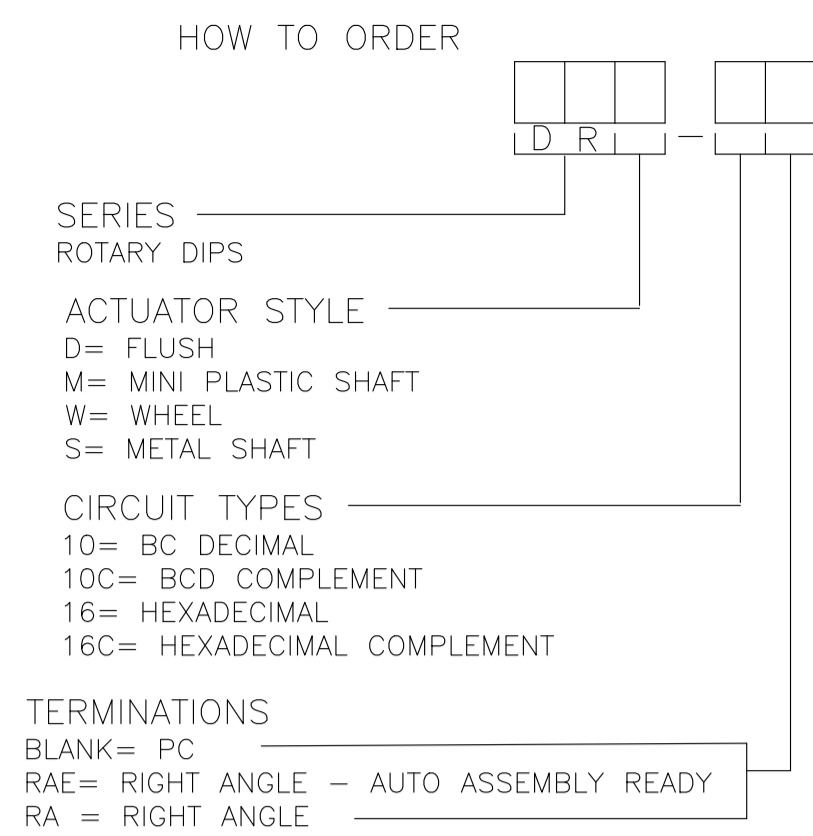
DRD RIGHT ANGLE
PC MOUNT



"S" STYLE

MINI SHAFT
FLUSH
WHEEL

PRINTED CIRCUIT BOARD LAYOUTS



SPECIFICATIONS:

MATERIAL:
FRAME & CASE- PPS UL94V-0, BLACK
ROTOR, PA6T UL94V-0, COLOR SEE P/N TABLE
FIXED CONTACT/TERMINAL- COPPER ALLOY, GOLD FLASH OVER NICKEL PLATE
MOVING CONTACT- COPPER ALLOY, GOLD FLASH OVER NICKEL PLATE
BALL SUPPORT PLATE- COPPER ALLOY
BALL- STAINLESS STEEL
DETENT SPRING- STAINLESS STEEL
BUSHING (DRS)- ZINC DIE CAST
SHAFT (DRS)- COPPER ALLOY- NICKEL PLATE

ELECTRICAL:
CONTACT RATING- 0.4VA@ 20V DC OR PEAK AC
INITIAL CONTACT RESISTANCE- 50 MILLIOHMS MAX
INSULATION RESISTANCE- 1,000 MEGOHMS@100V DC
DIELECTRIC STRENGTH- 300V AC
LIFE EXPECTANCY- 10,000 ROTATIONS

MECHANICAL:
OPERATING FORCE- 13.88 OZF.IN. MAX

ENVIRONMENTAL:
OPERATING TEMPERATURE- -30°C TO +85°C
STORAGE TEMPERATURE- -45°C TO +100°C
RESISTANCE TO SOLDER HEAT-PER 109-202, COND B (THRU-HOLE)
SOLDERABILITY-PER JIS C 0050 & JIS C 0053

NOTES:

- ALL MATERIALS AND FINISHES SHALL COMPLY WITH EU DIRECTIVE 2002/95/EC OF 27JAN2003 (ROHS)
- COMMON TERMINALS ARE CONNECTED INTERNALLY, EXCEPT ON HYBRID VERSIONS.
- RED ROTOR WITH WHITE PRINTING ON TOP AND SIDE OF SWITCH. "S" STYLES HAVE NOT PRINTING ON TOP.
- BLACK ROTOR WITH WHITE PRINTING ON TOP AND SIDE OF SWITCH. "S" STYLES HAVE NO PRINTING ON TOP.
- ORANGE ROTOR WITH WHITE PRINTING ON TOP AND SIDE OF SWITCH "S" STYLES HAVE NO PRINTING ON TOP.
- WHITE ROTOR WITH WHITE PRINTING ON TOP AND SIDE OF SWITCH "S" STYLE HAVE NO PRINTING ON TOP.

LOCATE 'ALCO' TRADE NAME AND LOT NUMBER MARKING. LOT NUMBER TO BE MARKED AS FOLLOW:

4 F
1ST DIGIT 2ND DIGIT
YEAR 1194 MONTH 6

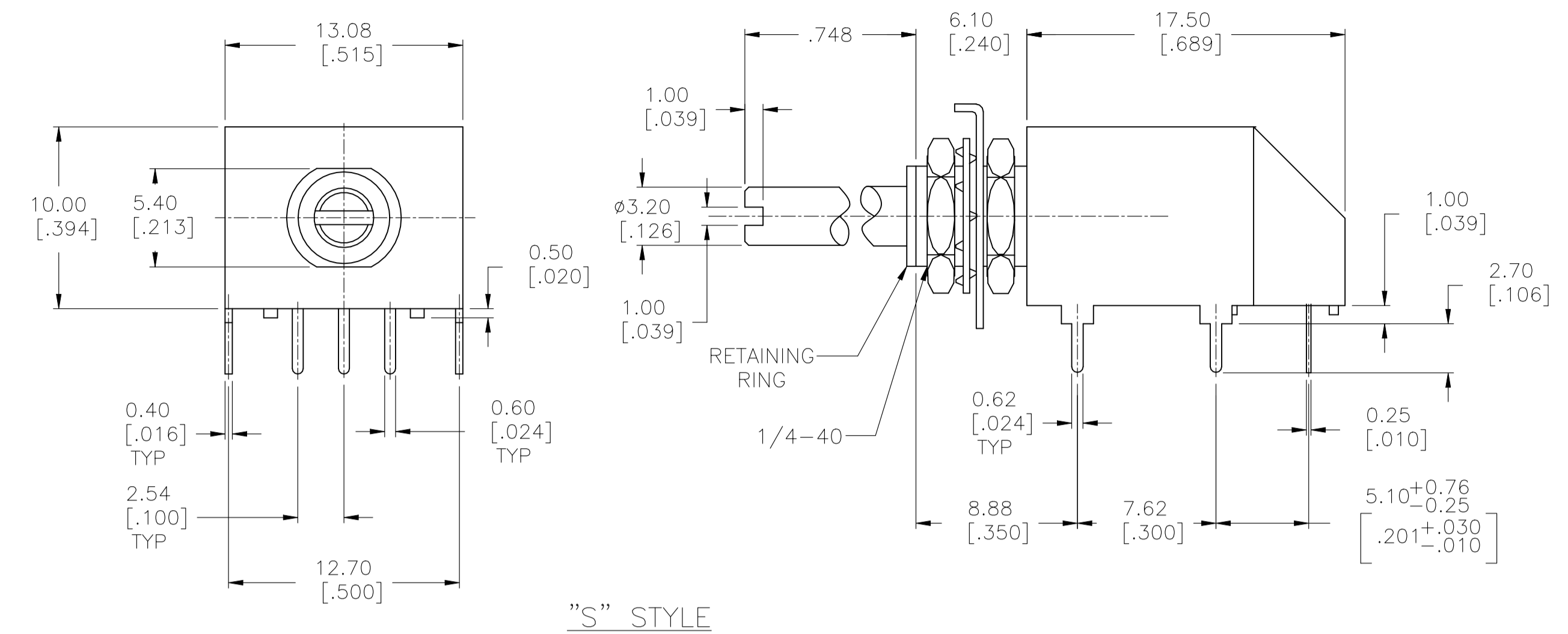
MARK WITH PERMANENT WHITE INK.

REV	DESCRIPTION	DATE	BY	APPV
A6	REVISED PER ECN-24-287296	08oct2024	GSK	DM

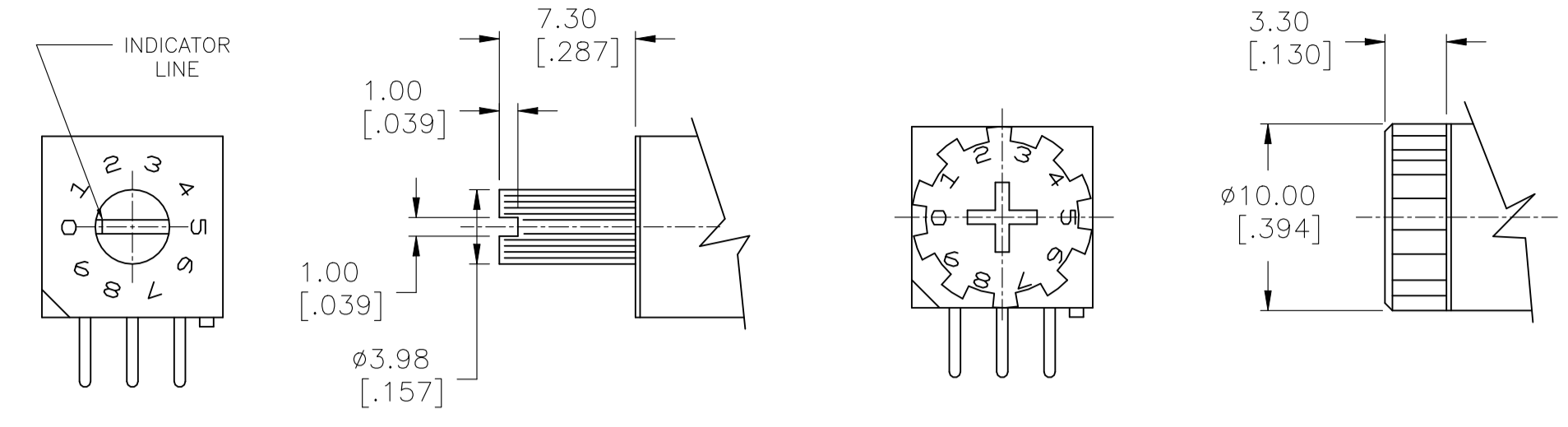
REV	DESCRIPTION	DATE	BY	APPV
1	BLACK	DRW16RAE04	1-1825008-6	
	WHITE	DRW16CRAE04	1-1825008-5	
1	RED	DRW10RAE04	1-1825008-4	
1	ORANGE	DRW10CRAE04	1-1825008-3	
1	N/A	DRS16RA04	1-1825008-2	
1	N/A	DRS16CRA04	1-1825008-1	
1	N/A	DRS10RA04	1-1825008-0	
1	N/A	DRS10CRAE04	1825008-9	
	BLACK	DRM16RAE04	1825008-8	
1	WHITE	DRM16CRAE04	1825008-7	
1	RED	DRM10RAE04	1825008-6	
1	ORANGE	DRM10CRAE04	1825008-5	
	BLACK	DRD16RAE04	1825008-4	
	WHITE	DRD16CRAE04	1825008-3	
	RED	DRD10RAE04	1825008-2	
1	ORANGE	DRD10CRAE04	1825008-1	
	ROTOR COLOR	T&B P/N	PART NO.	

THIS DRAWING IS A CONTROLLED DOCUMENT.		DIN 17MAY2005	
DIMENSIONS: mm [NCHES]		E.S.VISWESWARA	
TOLERANCES UNLESS OTHERWISE SPECIFIED:		CIRK M.S.SARVER	
0. PLC	± -	APVD	
1. PLC	± 0.25	NAME	
2. PLC	± -	PRODUCT SPEC	
3. PLC	± -	APPLICATION SPEC	
4. PLC	± -	SIZE	
ANGLES	± 1°	CAGE CODE	
MATERIAL	FINISH	DRAWING NO	
		RESTRICTED TO	
		WEIGHT	
		A1 00779 1825008	
		CUSTOMER DRAWING	
		SCALE 4:1 SHEET 1 OF 2 REV A6	

REVISIONS				
REV	DATE	DESCRIPTION	BY	APPV
-	-	SEE SHEET 1	-	-

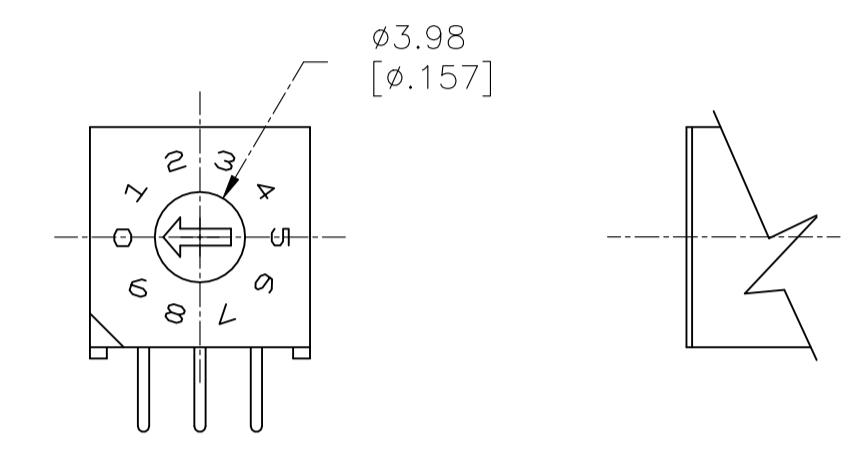


"S" STYLE



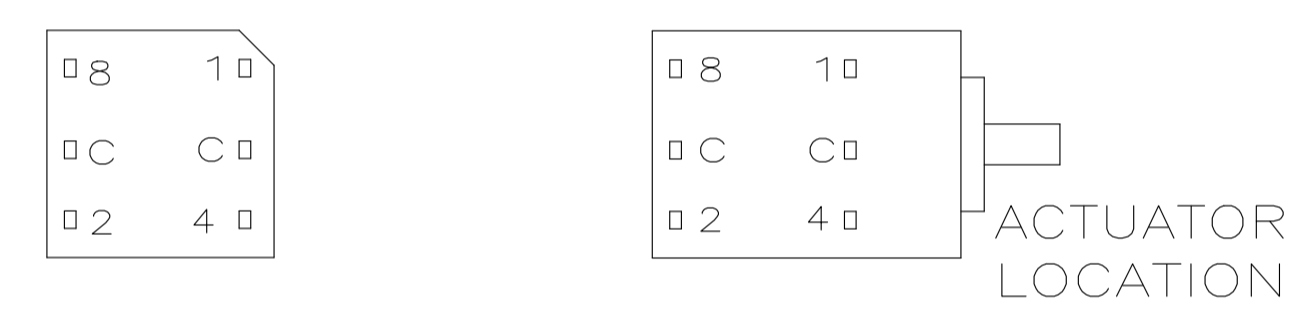
MINI SHAFT
'M' STYLE

WHEEL
'W' STYLE



'D' STYLE

TERMINAL IDENTIFICATION FOR DR SERIES ONLY
(VIEWED FROM BOTTOM OF SWITCH)



ACTUATORS
SCALE:3:1

10-POSITION, BCD SEE NOTE 3

POS	0	1	2	3	4	5	6	7	8	9
C	X	X	X	X	X	X	X	X	X	X
1		X		X		X		X		X
2			X	X			X	X		
4					X	X	X	X		
8									X	X

16-POSITION, HEXADECIMAL SEE NOTE 4

POS	0	1	2	3	4	5	6	7	8	9	A	B	C	D	E	F
C	X	X	X	X	X	X	X	X	X	X	X	X	X	X	X	X
1		X		X		X		X		X		X		X		X
2			X	X			X	X			X	X			X	X
4					X	X	X	X					X	X	X	X
8									X	X	X	X	X	X	X	X

10 POSITION, BCD COMPLEMENT SEE NOTE 5

POS	0	1	2	3	4	5	6	7	8	9
C̄	X	X	X	X	X	X	X	X	X	X
1̄	X		X		X		X		X	
2̄	X	X			X	X			X	X
4̄	X	X	X	X					X	X
8̄	X	X	X	X	X	X	X	X		

16-POSITION, HEXADECIMAL COMPLEMENT SEE NOTE 6

POS	0	1	2	3	4	5	6	7	8	9	A	B	C	D	E	F
C̄	X	X	X	X	X	X	X	X	X	X	X	X	X	X	X	X
1̄	X		X		X		X		X		X		X		X	
2̄	X	X			X	X			X	X			X	X		
4̄	X	X	X	X					X	X	X	X				
8̄	X	X	X	X	X	X	X	X								

THIS DRAWING IS A CONTROLLED DOCUMENT.

DIMENSIONS: mm [INCHES]	TOLERANCES UNLESS OTHERWISE SPECIFIED: 0. PLC ± - 1. PLC ± - 2. PLC ± 0.25 3. PLC ± - 4. PLC ± - ANGLES ± 1°	DIN 17MAY2005 DR S.VISWESWARA CHK M.S.SARVER APVD - PRODUCT SPEC - APPLICATION SPEC - WEIGHT -	NAME DR***RA SERIES ROTARY DIP SWITCH
MATERIAL -	FINISH -	SIZE A1 CAGE CODE 00779 DRAWING NO. C=1825008	RESTRICTED TO - CUSTOMER DRAWING

SCALE 4:1 SHEET 2 OF 2 REV A6