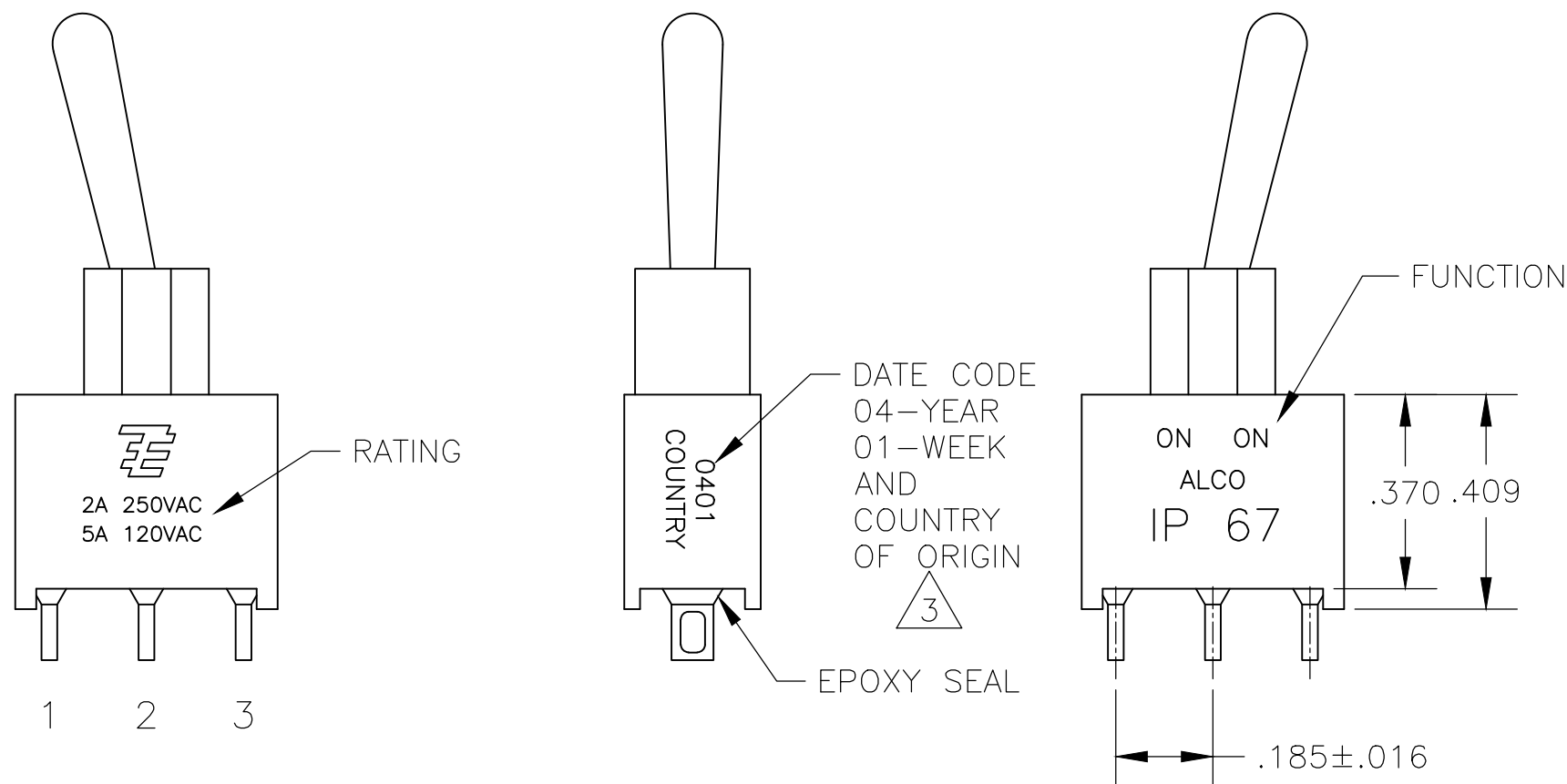
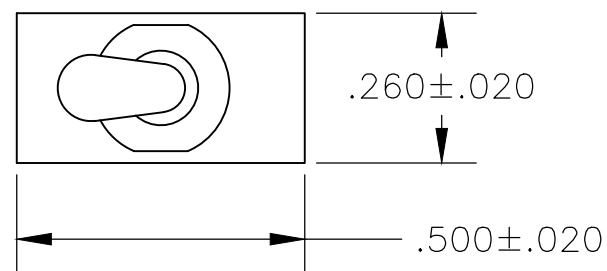


THIS DRAWING IS UNPUBLISHED. RELEASED FOR PUBLICATION
 © COPYRIGHT - By - ALL RIGHTS RESERVED.

REVISIONS					
P	LTR	DESCRIPTION	DATE	DWN	APVD
A5		ECR-16-017266	01JUN2018	SR	PO



- ALL MATERIALS AND FINISHES SHALL COMPLY WITH EU DIRECTIVE 2002/95/EC OF 27JAN2003 (ROHS).
- G CONTACT OPTION CAN BE USED FOR SIGNAL OR POWER LEVEL SWITCHING. IF SWITCH IS USED AT LEVELS EXCEEDING .4VA @ 20V AC/DC, SWITCH IS RENDERED FOR POWER SWITCHING ONLY DUE TO ARC REMOVAL OF GOLD PLATING. RATING MARKED ON SWITCH IS 2A 250VAC, 5A 120VAC.
- SWITCHES MEETS REQUIREMENTS OF IP67.
- DATE CODE AND COUNTRY OF ORIGIN MAY APPEAR ON EITHER SIDE OF SWITCH.
- ALL LOGO, RATING, DATE CODE, AND FUNCTION MARKINGS TO BE LASER MARKED.

FUNCTION CHART			
FUNCTION	1 2 3	1 2 3	1 2 3
01	ON	NONE	ON
03	ON	OFF	ON
05	(ON)	OFF	(ON)
07	ON	OFF	(ON)
08	ON	NONE	(ON)
TERMINALS CONNECTED	2-3	---	1-2

NONE: NO MECHANICAL POSITION
 OFF: MECHANICAL POSITION WITH NO MECHANICAL CONNECTION
 (ON): MOMENTARY ACTION

SPECIFICATIONS CHART	
RATING, B CONTACTS	.4VA MAX @20V MAX. AC OR DC
RATING, G CONTACTS-SEE NOTE 2	.4VA MAX @20V MAX. AC OR DC OR
	5A @120 VAC OR 28 VDC (RESISTIVE)
RATING, Q CONTACTS	2A @250 VAC (RESISTIVE)
	5A @120 VAC OR 28 VDC (RESISTIVE)
ELECTRICAL LIFE	6,000 CYCLES AT RATED LOAD
CONTACT RESISTANCE	10 MILLIOHMS MAX INITIAL @ 2-4VDC, 100ma
INSULATION RESISTANCE	1,000 MEGOHMS MIN
DIELECTRIC WITHSTANDING VOLTAGE	1,000 V RMS AT SEA LEVEL
OPERATING TEMPRATURE	-30C TO 85C

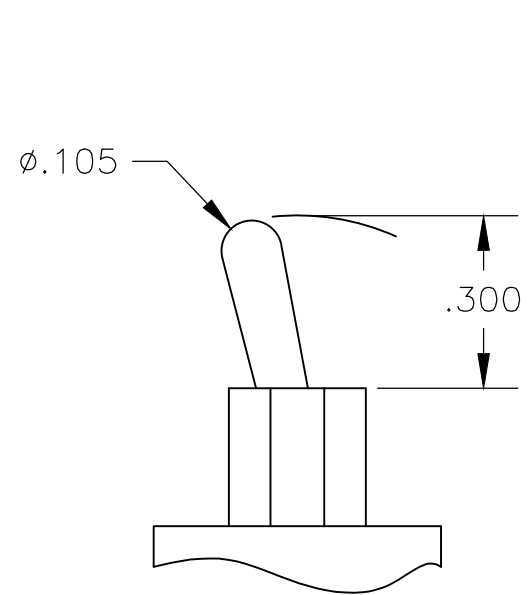
PART NUMBER SEQUENCE CHART						
MODEL	FUNCTION	TOGGLE	BUSHING	TERMINAL	CONTACT	RoHS
AE1	01	M	D1	A	B	04
	03	S		AV2	G	
	05			C	Q	
	07			V30		
	08			V40		
				W		
				W4		
				Z		
		Z3				

EXAMPLE: AE101SD1CQ04

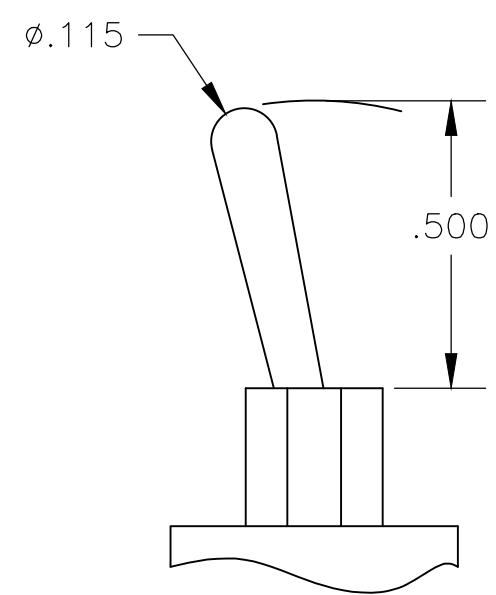
THIS DRAWING IS A CONTROLLED DOCUMENT.		DWN M. ZITTO 18MAY05	TE Connectivity			
DIMENSIONS: INCHES		CHK M. ZITTO				
TOLERANCES UNLESS OTHERWISE SPECIFIED:		APVD M. ZITTO	NAME: GEMINI AE SERIES TOGGLE SWITCH, SINGLE POLE			
0 PLC ± -		PRODUCT SPEC				
1 PLC ± -		APPLICATION SPEC	SIZE A2	CAGE CODE 00779	DRAWING NO C=1825142	RESTRICTED TO -
2 PLC ± -		WEIGHT	SCALE 3:1		SHEET 1 OF 4	REV A5
3 PLC ± .010		CUSTOMER DRAWING				
4 PLC ± -						
ANGLES ± 2°						
FINISH						

THIS DRAWING IS UNPUBLISHED. RELEASED FOR PUBLICATION
 © COPYRIGHT - By - ALL RIGHTS RESERVED.

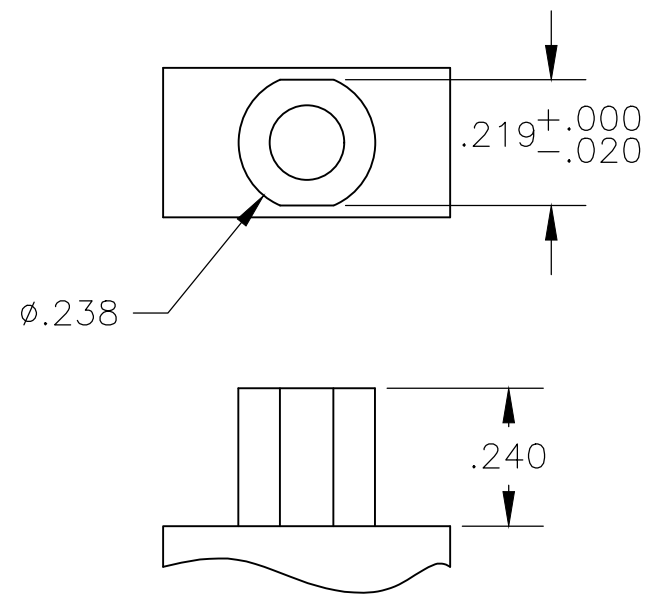
REVISIONS				
P	LTR	DESCRIPTION	DATE	APVD
-	-	SEE SHEET 1	-	-



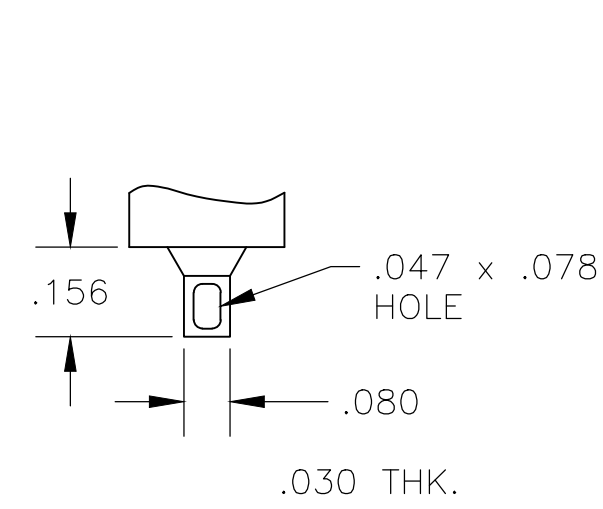
M SHORT



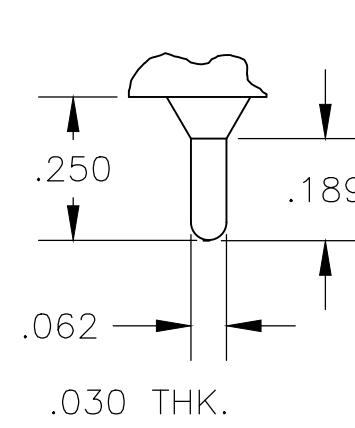
S STANDARD



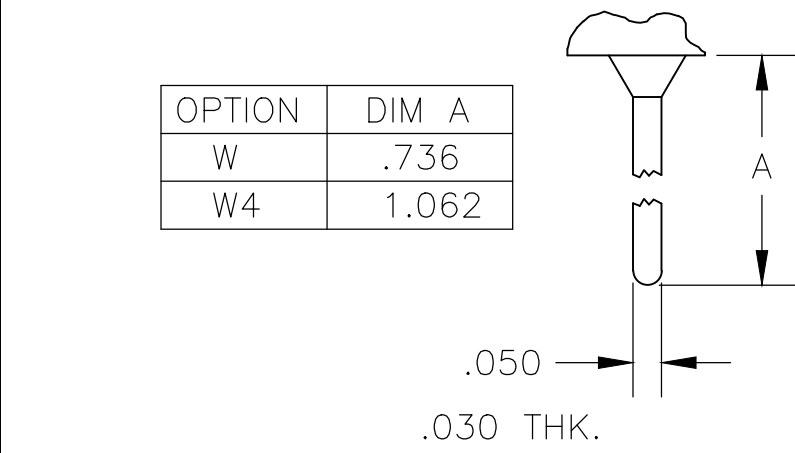
D1 BUSHING



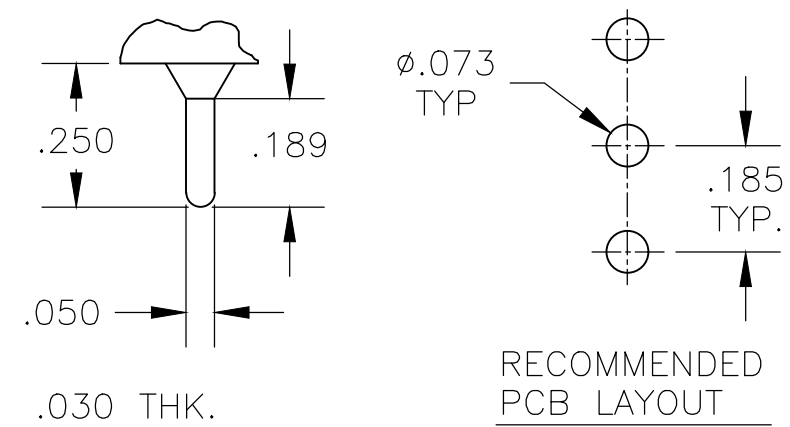
Z WIRE LUG



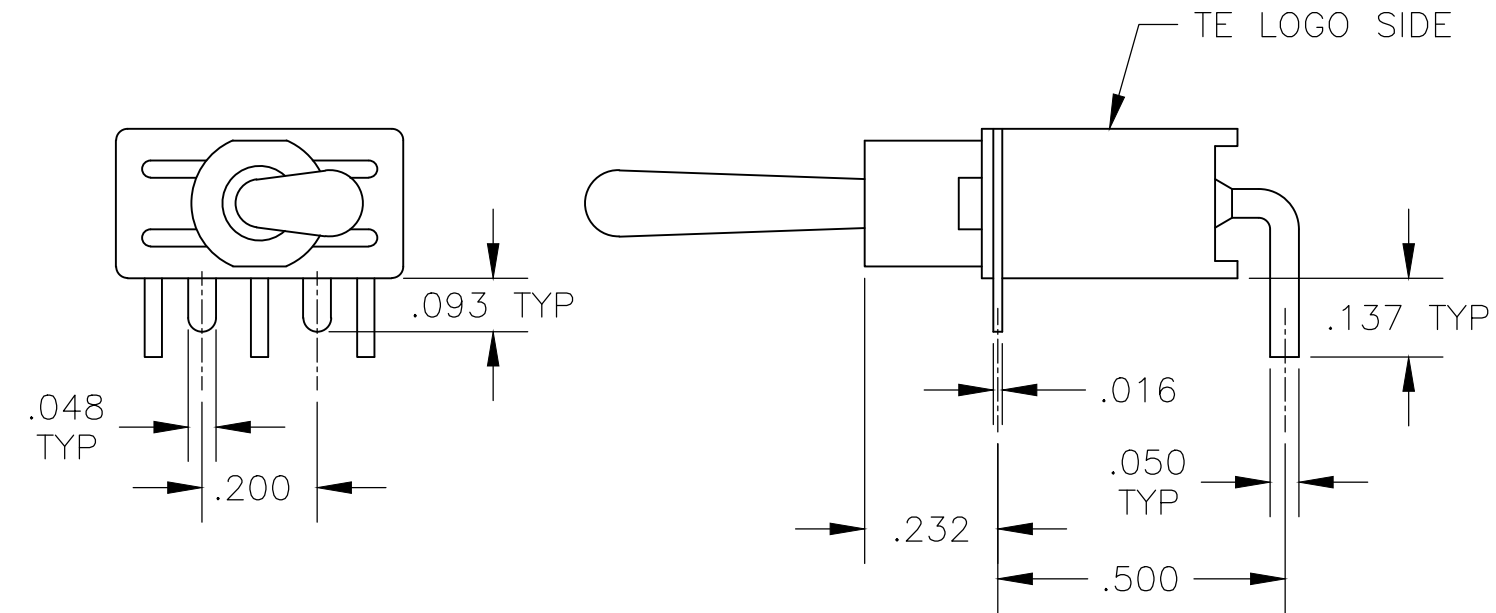
Z3 QUICK CONNECT



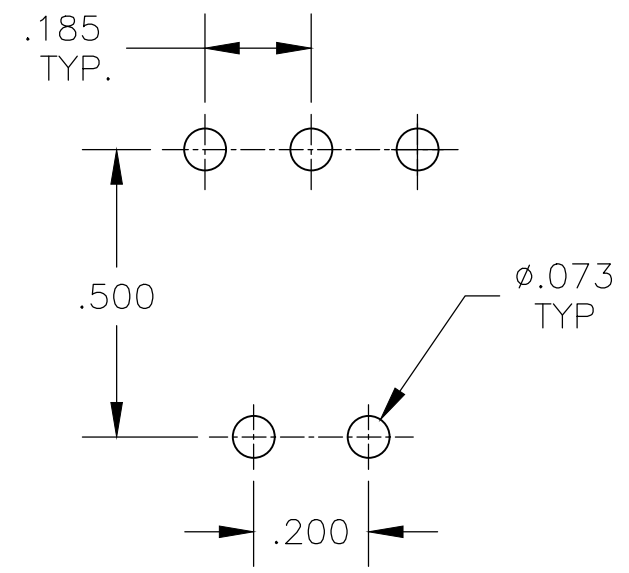
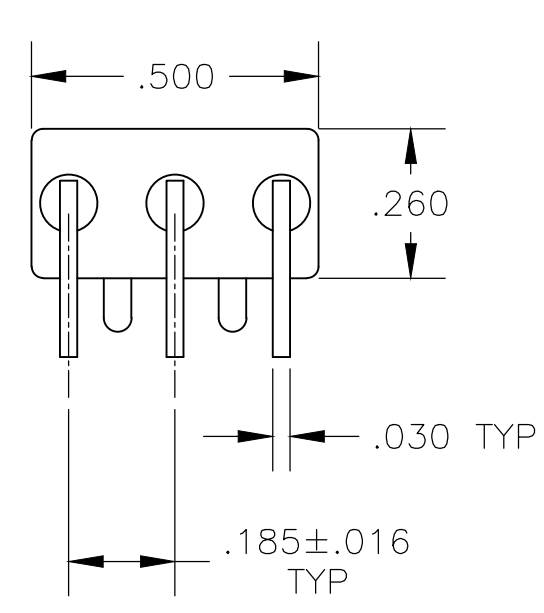
W **W4** WIRE WRAP



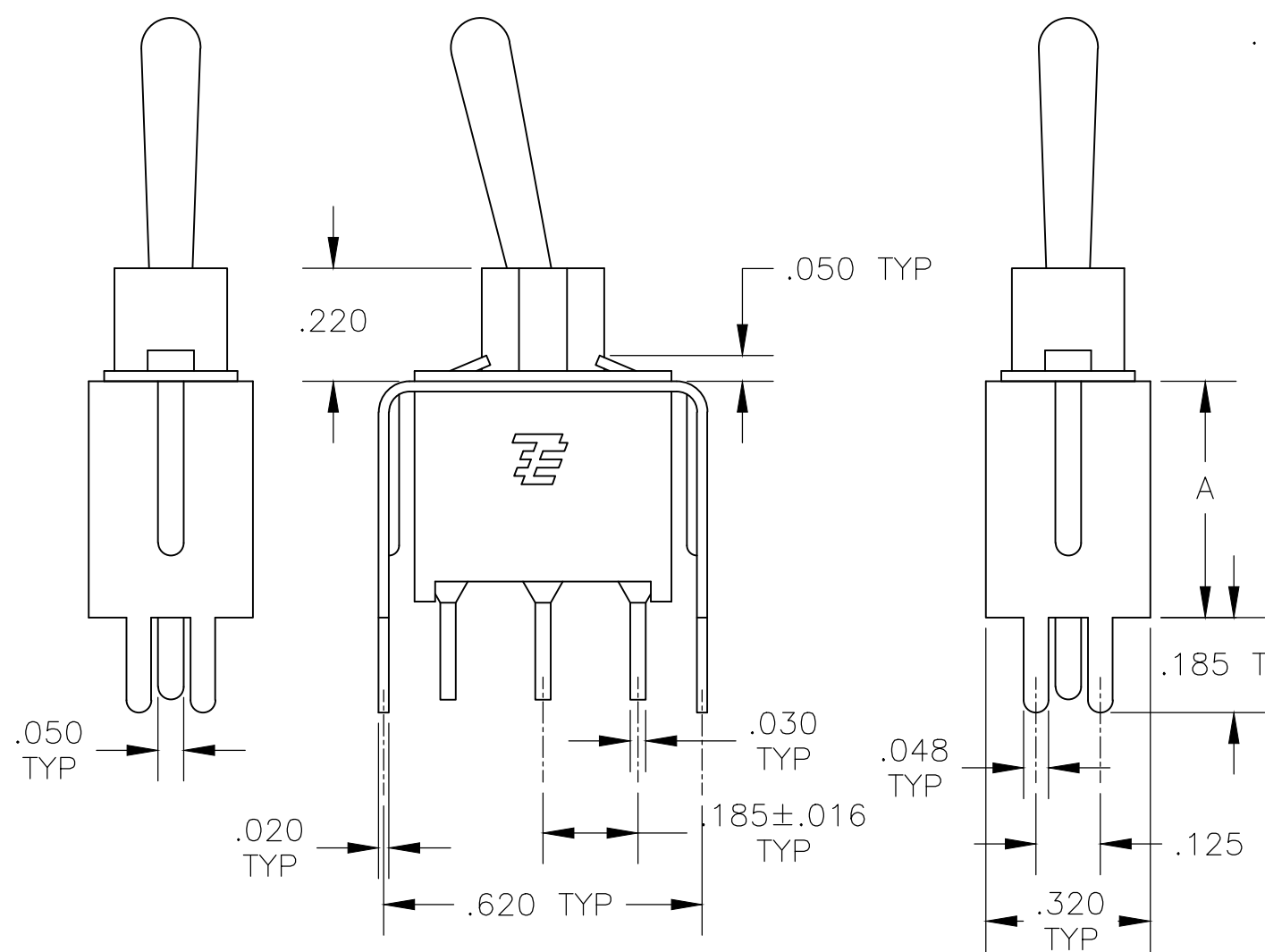
C PRINTED CIRCUIT



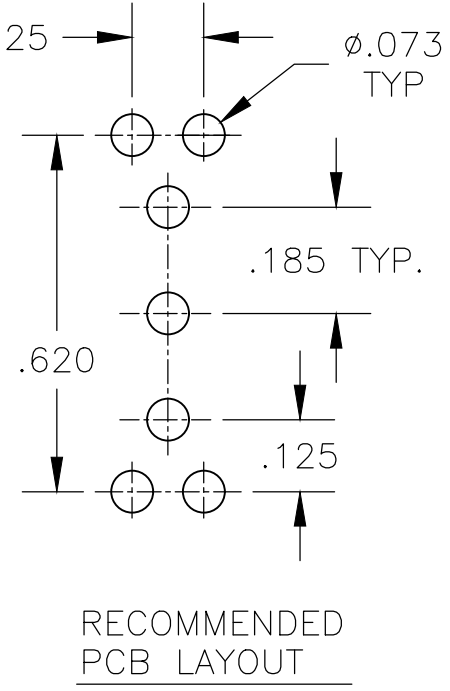
A RIGHT ANGLE



RECOMMENDED PCB LAYOUT

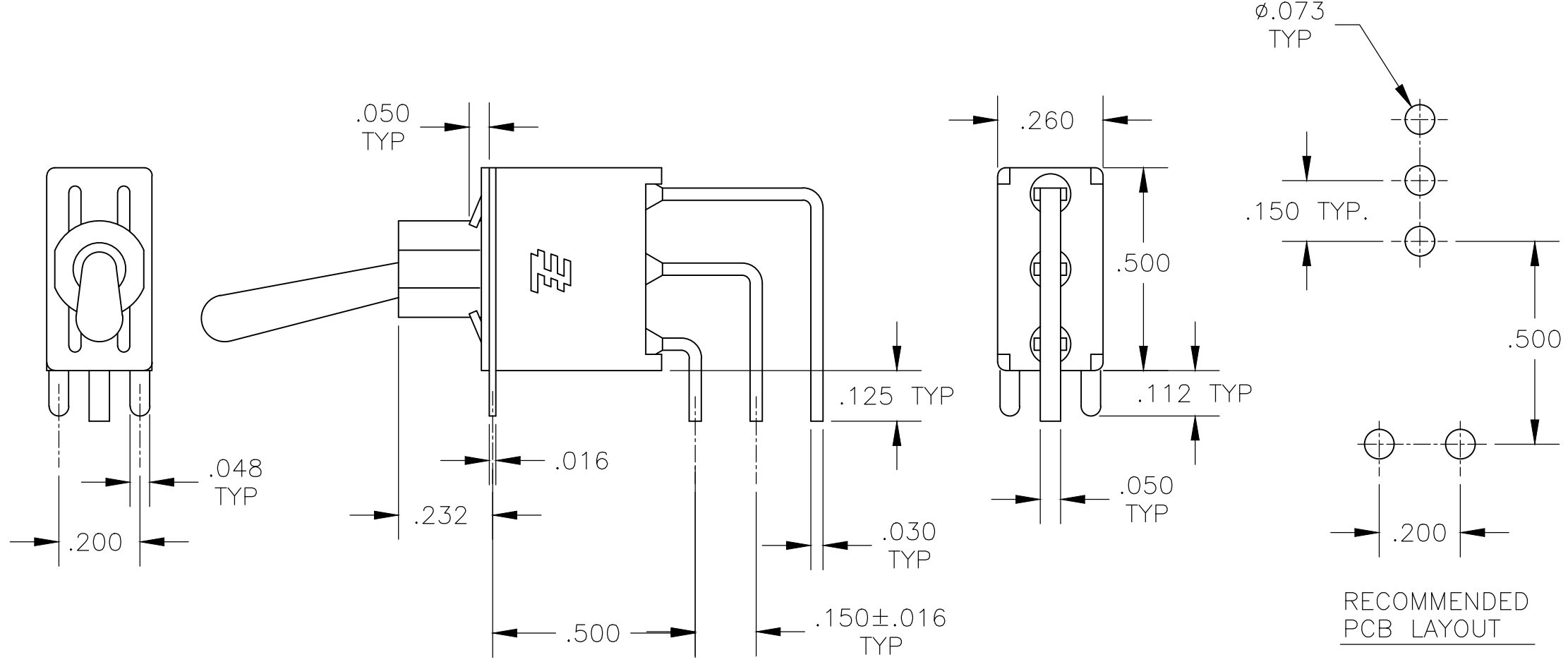


V30 **V40** VERTICAL SUPPORT BRACKET



RECOMMENDED PCB LAYOUT

OPTION	DIM A
V30	.460
V40	.630



AV2 VERTICAL RIGHT ANGLE

RECOMMENDED PCB LAYOUT

THIS DRAWING IS A CONTROLLED DOCUMENT.

DIMENSIONS: INCHES	TOLERANCES UNLESS OTHERWISE SPECIFIED:	DWN: M. ZITTO	18MAY05	 TE Connectivity
	0 PLC ± -	CHK: M. ZITTO	-	
	1 PLC ± -	APVD: M. ZITTO	-	
	2 PLC ± -	PRODUCT SPEC	-	
MATERIAL	FINISH	APPLICATION SPEC	-	NAME: GEMINI AE SERIES TOGGLE SWITCH, SINGLE POLE SIZE: A2 CAGE CODE: 00779 DRAWING NO: 1825142 RESTRICTED TO: - SCALE: 3:1 SHEET: 2 of 4 REV: A5

CUSTOMER DRAWING


THIS DRAWING IS UNPUBLISHED. RELEASED FOR PUBLICATION
 © COPYRIGHT - By - ALL RIGHTS RESERVED.

REVISIONS				
P	LTR	DESCRIPTION	DATE	APVD
-	-	SEE SHEET 1	-	-

Alco P/N	TE P/N	
AE101MD1AB04	1825142-1	
AE101MD1AG04	1825142-2	
not assigned	1825142-3	OBSOLETE
AE101MD1AQ04	1825142-4	
AE101MD1AV2B04	1825142-5	
AE101MD1AV2Q04	1825142-6	
not assigned	1825142-7	OBSOLETE
AE101MD1CB04	1825142-8	
AE101MD1CG04	1825142-9	
AE101MD1CQ04	1-1825142-0	OBSOLETE
AE101MD1V30B04	1-1825142-1	
AE101MD1V30Q04	1-1825142-2	
AE101MD1W4B04	1-1825142-3	
AE101MD1W4Q04	1-1825142-4	OBSOLETE
AE101SD1AB04	1-1825142-5	
AE101SD1AQ04	1-1825142-6	
not assigned	1-1825142-7	OBSOLETE
AE101SD1AV2B04	1-1825142-8	
AE101SD1AV2Q04	1-1825142-9	OBSOLETE
AE101SD1CB04	2-1825142-0	
AE101SD1CQ04	2-1825142-1	
AE101SD1V30B04	2-1825142-2	
AE101SD1V30Q04	2-1825142-3	OBSOLETE
AE103MD1AB04	2-1825142-4	
AE103MD1AV2B04	2-1825142-5	
AE103MD1CB04	2-1825142-6	
NOT ASSIGNED	2-1825142-7	
AE103MD1W4B04	2-1825142-8	OBSOLETE
AE103SD1AV2B04	2-1825142-9	
AE103SD1CB04	3-1825142-0	
AE103SD1CQ04	3-1825142-1	
not assigned	3-1825142-2	
AE103SD1V30B04	3-1825142-3	
AE103SD1W4B04	3-1825142-4	OBSOLETE
AE105MD1AB04	3-1825142-5	
AE105MD1AG04	3-1825142-6	
AE105MD1AV2B04	3-1825142-7	
AE105MD1W4B04	3-1825142-8	OBSOLETE
AE105SD1CB04	3-1825142-9	
AE105SD1V30B04	4-1825142-0	OBSOLETE

Alco P/N	TE P/N	
AE105SD1W4B04	4-1825142-1	OBSOLETE
AE107MD1AV2B04	4-1825142-2	
AE107SD1AB04	4-1825142-3	
AE107SD1AG04	4-1825142-4	OBSOLETE
AE107SD1CB04	4-1825142-5	
AE107SD1V30B04	4-1825142-6	
AE108MD1AQ04	4-1825142-7	
AE108MD1AV2B04	4-1825142-8	
AE108MD1AV2Q04	4-1825142-9	OBSOLETE
AE108SD1AB04	5-1825142-0	
AE108SD1AQ04	5-1825142-1	
AE108SD1CQ04	5-1825142-2	
not assigned	5-1825142-3	OBSOLETE
AE108SD1V30B04	5-1825142-4	
AE108SD1W4B04	5-1825142-5	OBSOLETE

MATERIALS CHART		
COMPONENT NAME	BASE MATERIAL	FINISH
CASE & BUSHING	NYLON, RED, UL94 V-0	
O-RING	PVC, BLACK	
B TERMINALS & CONTACTS	COPPER	GOLD OVER NICKEL
G TERMINALS & CONTACTS	COPPER	GOLD OVER SILVER
Q TERMINALS & CONTACTS	COPPER	GOLD FLASH OVER SILVER
ACTUATOR	PHENOLIC, BLACK, UL94 V-1	
LEVER	BRASS	CHROME
SPRING	MUSIC WIRE	
PIVOT PIN	STEEL	NICKEL
LOCK WASHER	STAINLESS STEEL	
LOCKING RING	STAINLESS STEEL	
NUTS	BRASS	NICKEL
TERMINAL SEAL	EPOXY, UL94V-0	
MARKING	INK, BLACK	
SUPPORT BRACKET	BRASS OR STEEL	TIN
SUPPORT BRACKET RETAINER	STAINLESS STEEL	

THIS DRAWING IS A CONTROLLED DOCUMENT.		DWN M. ZITTO	18MAY05	 TE Connectivity	
DIMENSIONS: INCHES		CHK M. ZITTO	-		
TOLERANCES UNLESS OTHERWISE SPECIFIED:		APVD M. ZITTO	-	NAME GEMINI AE SERIES TOGGLE SWITCH, SINGLE POLE	
0 PLC ± - 1 PLC ± - 2 PLC ± - 3 PLC ± .010 4 PLC ± - ANGLES ± 2'		PRODUCT SPEC	-	SIZE A2	
MATERIAL		APPLICATION SPEC	-	CAGE CODE 00779	DRAWING NO C=1825142
FINISH		WEIGHT	-	RESTRICTED TO -	
CUSTOMER DRAWING			SCALE 3:1	SHEET 3 of 4	REV A5

1825142

A