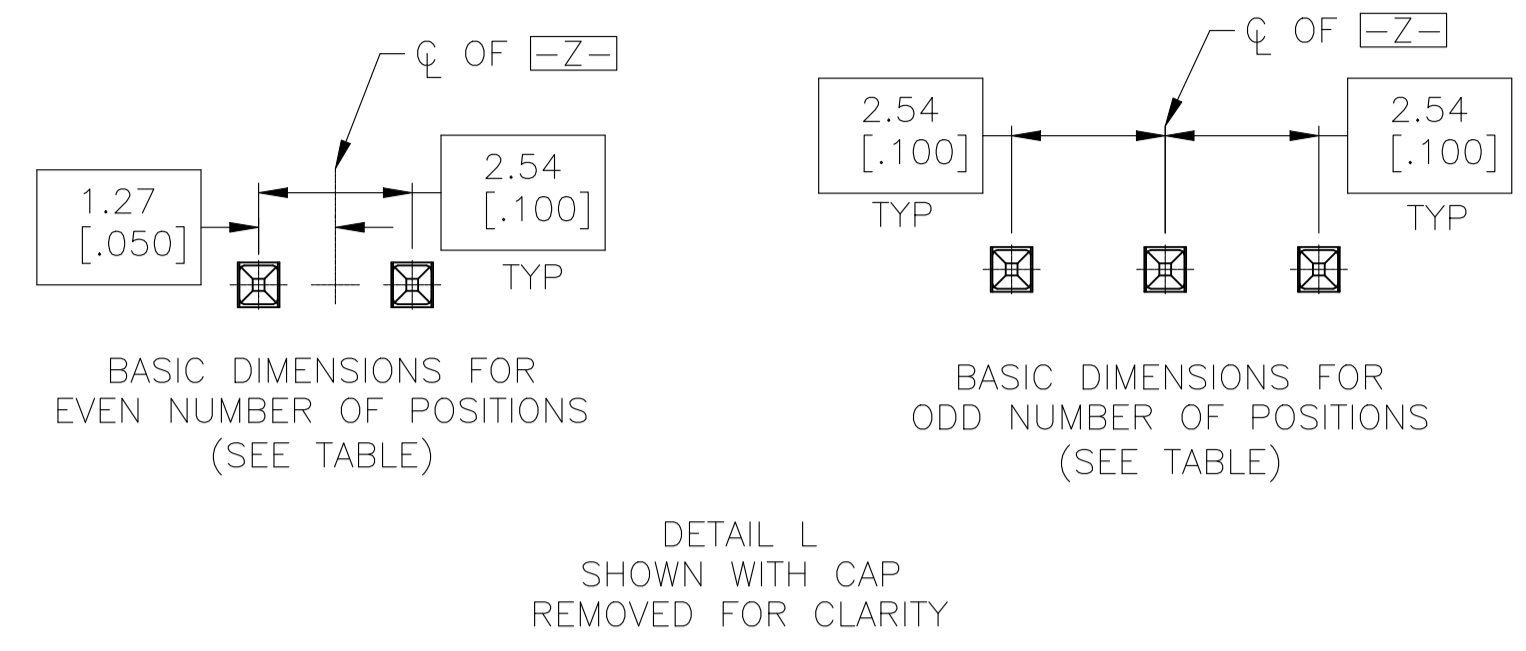
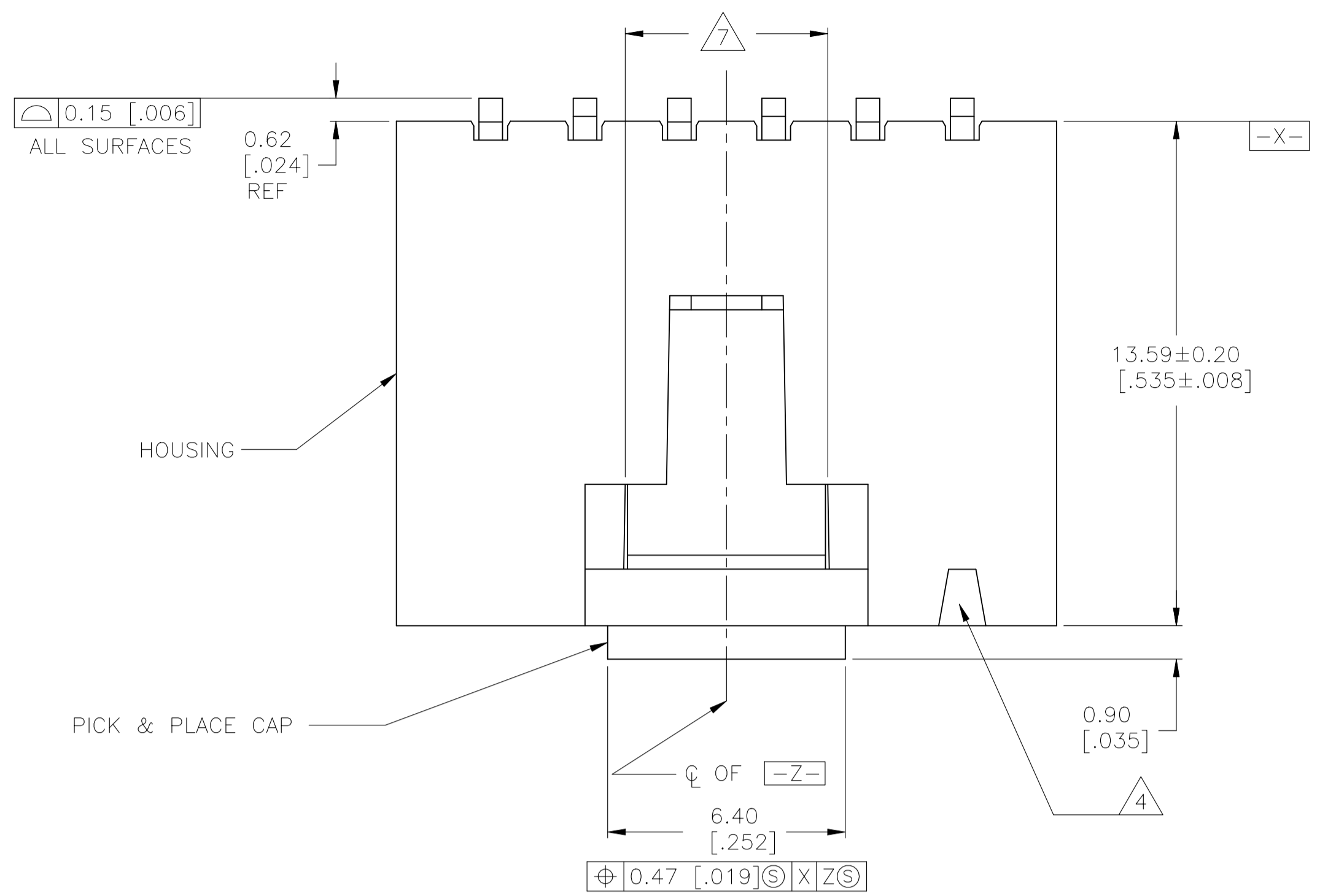
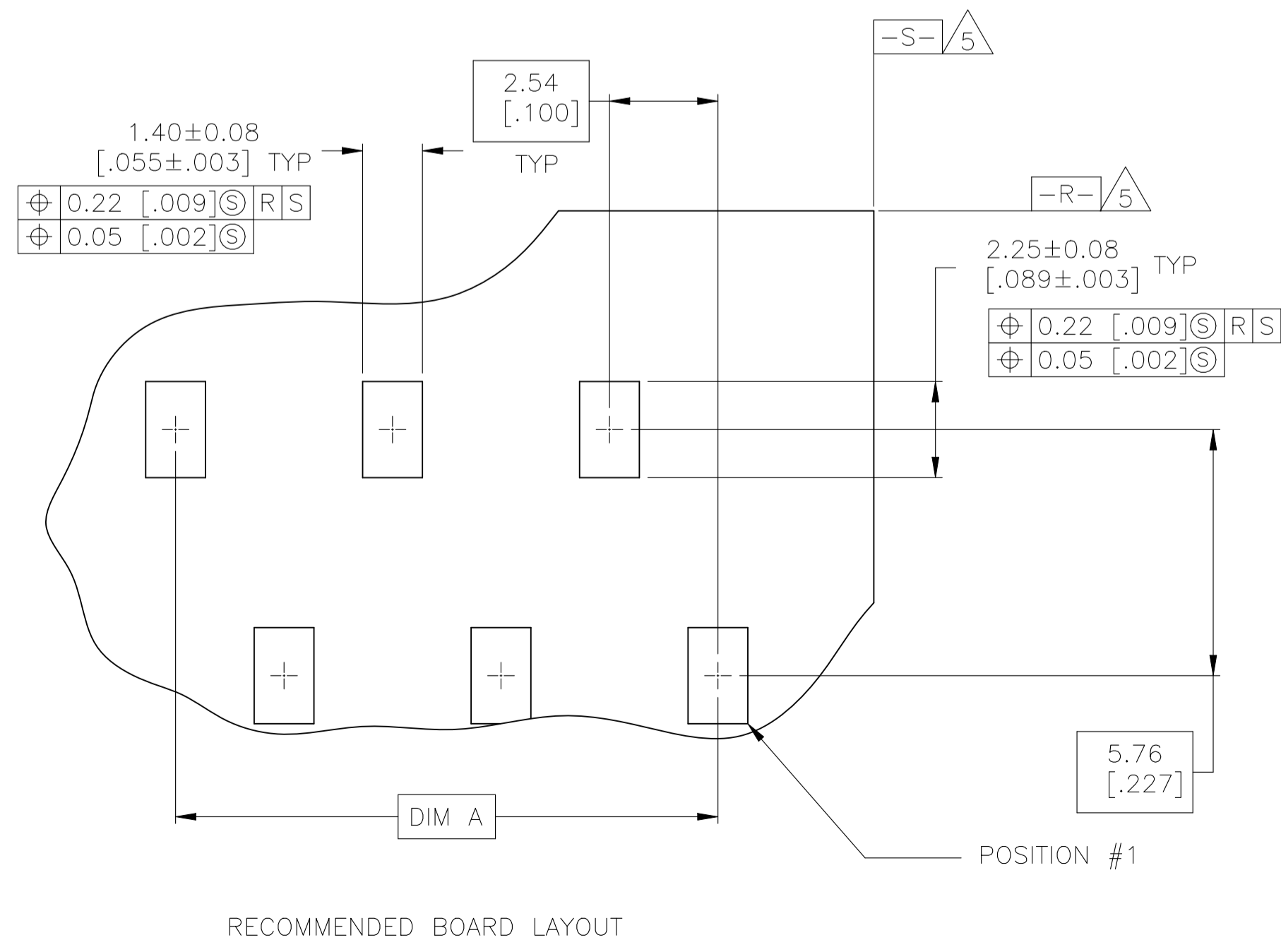
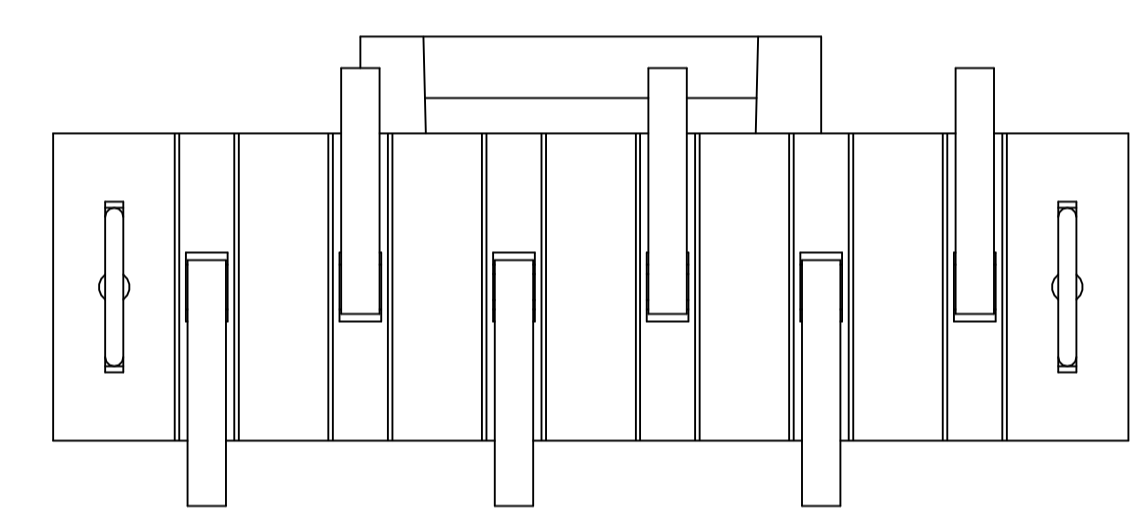
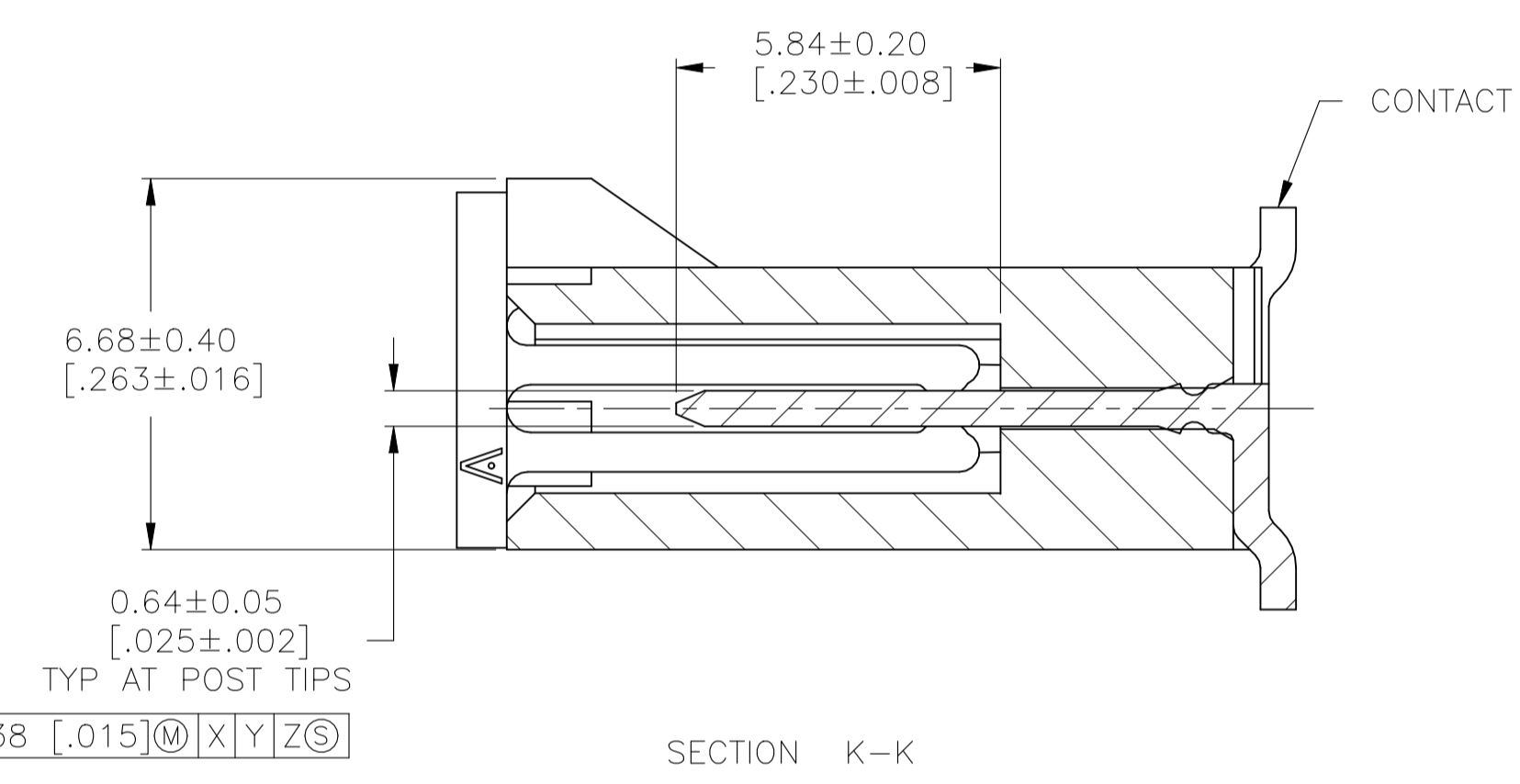
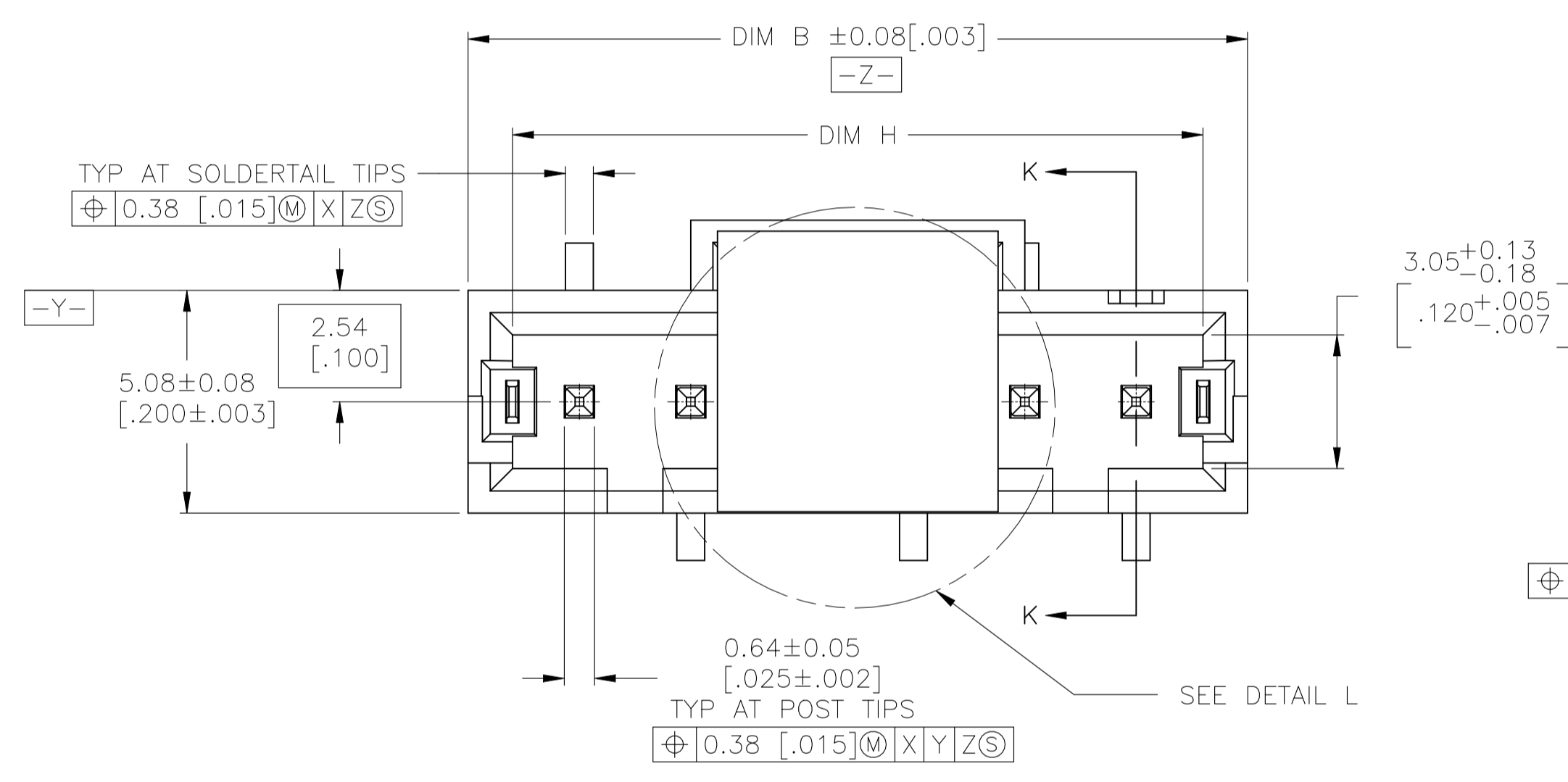


REVISIONS					
REV	DATE	DESCRIPTION	BY	CHK	APPV
J1	22SEP2023	REVISED PER ECR-23-186483	RK	MF	



- 1 PACKAGE: TAPE AND REEL PER EIA-481 SPECIFICATIONS. SEE TABLE FOR TAPE WIDTHS
- 2 MATERIAL: HOUSING AND PICK & PLACE CAP: HIGH TEMPERATURE LCP, COLOR - BLACK, CONTACTS: BRASS
- 3 FINISH: CONTACTS: 0.00254[0.001] MATTE TIN OVER 0.00127[0.0005] NICKEL
- 4 CIRCUIT POSITION #1 IDENTIFICATION MARK
- 5 DATUMS ARE ESTABLISHED BY CUSTOMER
- 6 PRELIMINARY PART - NOT RELEASED FOR PRODUCTION
- 7 0.25 [0.010] RECESS PERMISSIBLE IN THIS AREA FOR MOLD SHUT OFF



TAPE WIDTH	H	B	A	NO OF POSN	PART NUMBER
44 [1.732]	28.45 [1.120]	30.35 [1.195]	25.40 [1.000]	9	1825514-5
32 [1.260]	15.75 [0.620]	17.65 [0.695]	12.70 [0.500]	6	1825514-4
56 [2.205]	30.99 [1.220]	32.89 [1.295]	27.94 [1.100]	12	1825514-3
56 [2.205]	36.07 [1.420]	37.97 [1.495]	33.02 [1.300]	14	1825514-2
56 [2.205]	28.45 [1.120]	30.35 [1.195]	25.40 [1.000]	11	1825514-1

THIS DRAWING IS A CONTROLLED DOCUMENT.

DIMENSIONS: mm [INCHES]

TOLERANCES UNLESS OTHERWISE SPECIFIED:

0. PLC	± -
1. PLC	± -
2. PLC	± 0.13 [0.005]
3. PLC	± -
4. PLC	± -
ANGLES	± -

MATERIAL: 2

FINISH: 3

DATE: 03MAR2006

BY: R. BROWN

CHK: J. GESFORD

APPV: J. GESFORD

NAME: AMPMODU MTE SURFACE MOUNT, VERTICAL HEADER ASSEMBLY

PRODUCT SPEC: 108-25034-2

APPLICATION SPEC: 114-25026

SIZE: A1

CAGE CODE: 00779

DRAWING NO: 1825514

RESTRICTED TO: -

CUSTOMER DRAWING

SCALE: 8:1

SHEET: 1 of 1

REV: J1