

FIGURE 1
1825534-1

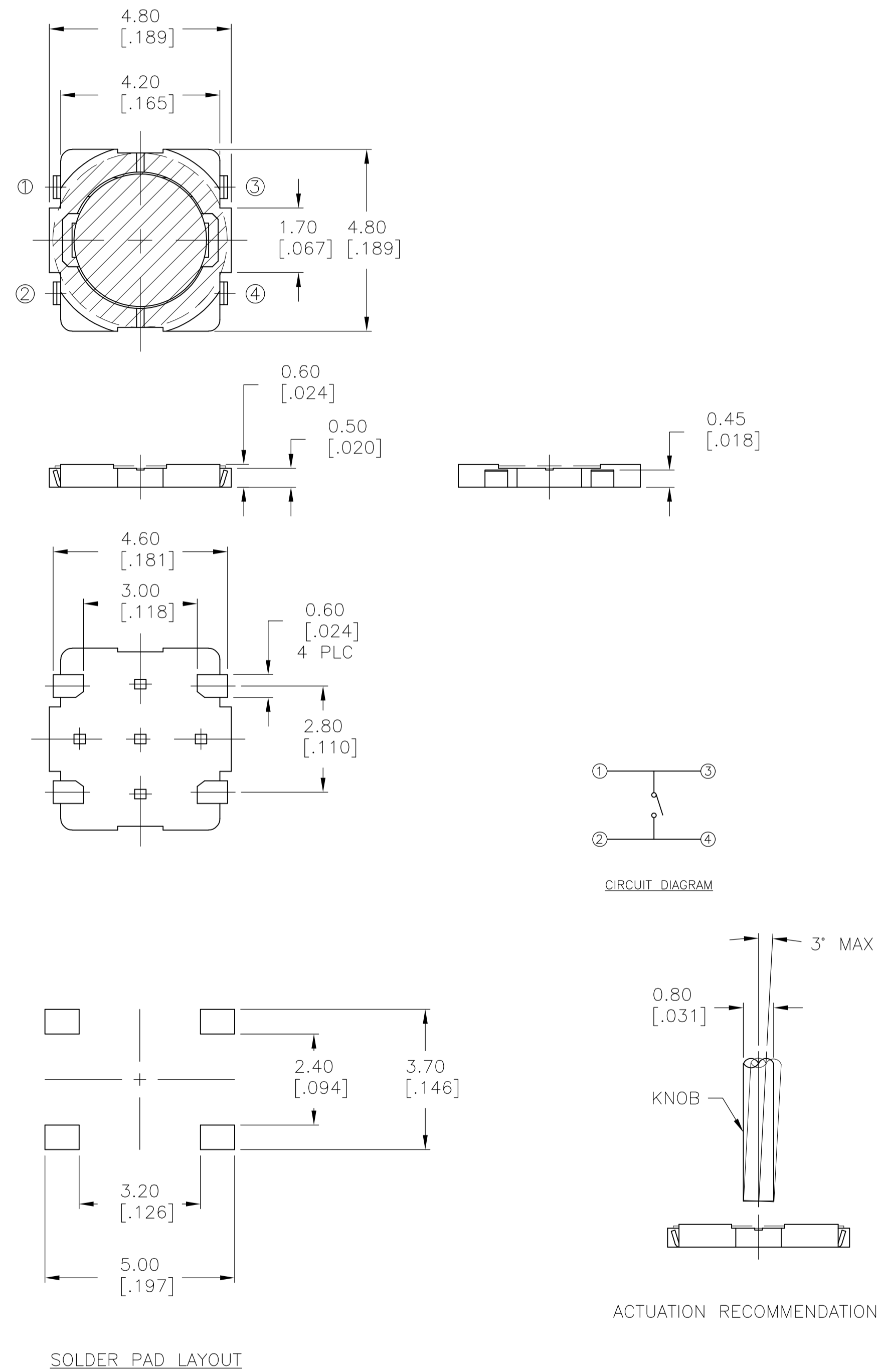
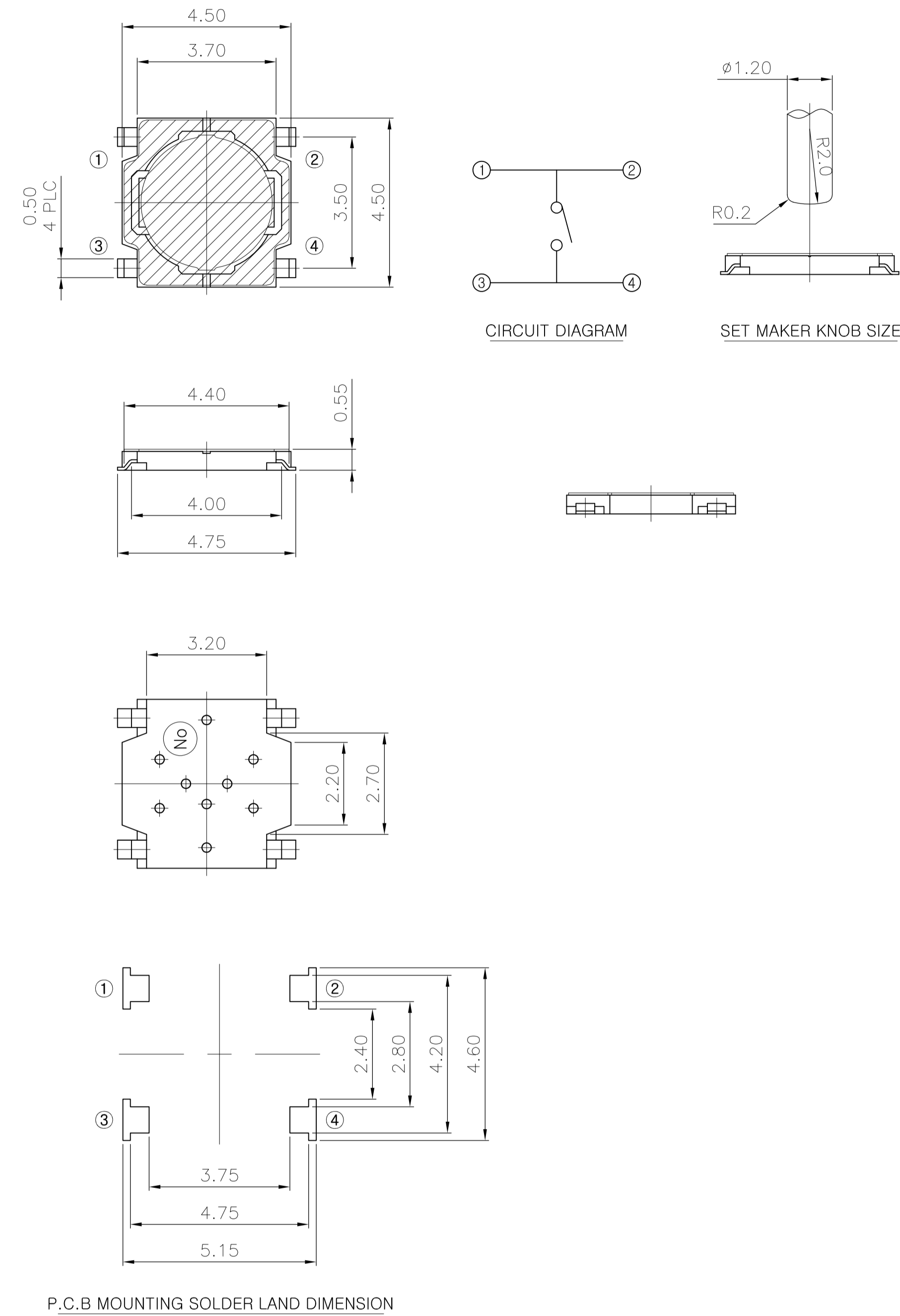


FIGURE 2
1825534-2



SPECIFICATIONS:

MATERIALS:

CASE: NYLON 46 UL94V-0-BLACK
 MASKING: PI FILM
 MOVING CONTACT, STAINLESS STEEL, SILVER PLATE
 FIXED CONTACT/TERMINAL, COPPER ALLOY, SILVER OVER NICKEL PLATE

ELECTRICAL:

MAX CONTACT RATING: 50MILLIAMPS@24V DC FOR 1825534-1
 20MILLIAMPS@15V DC FOR 1825534-2
 MIN CONTACT RATING: 10MICROAMPS@1V DC
 INITIAL CONTACT RESISTANCE, 100 MILLIOHMS MAX, PER EIA-364-23B, EACH POSITION.
 (200 MILLIOHM MAX AFTER TESTING)
 INSULATION RESISTANCE, 100 MEGOHM MIN. PER EIA-364-21C EACH POSITION.
 (10 MEGOHM MIN AFTER TESTING)
 DIELECTRIC STRENGTH, 500 VAC
 CONTACT BOUNCE, 10 MILLISECOND MAX, PER EIA 448-1B, METHOD 15.
 (20MILLISECOND MAX AFTER TESTING)

MECHANICAL:

ACTUATION FORCE, 160 +/-50 GF (+/-30% OF INITIAL FORCE AFTER TESTING)
 RETURN FORCE, 40 GF MIN
 ACTUATION TRAVEL, 0.20 +/-0.1MM
 LIFE EXPECTANCY, 500,000 CYCLES MINIMUM, PER EIA-448 METHODS 8 AND 9
 (2 CYCLES/SECOND AND 150% ACTUATION FORCE)

ENVIRONMENTAL:

OPERATING TEMPERATURE, -35 TO +85 DEGREES C,
 STORAGE TEMPERATURE, -35 TO +85 DEGREES C
 HUMIDITY AND TEMPERATURE CYCLING PER EIA-364-31B, METHOD III
 THERMAL SHOCK, PER EIA-364-32C, -35 TO +85 DEGREES C
 SOLDERABILITY, PER EIA-364-52, CLASS 2, CATEGORY 1, 95% MIN COVERAGE
 RESISTANCE TO SOLDER HEAT, PER 109-201, CONDITION B
 1. NO CHANGE IN INITIAL ELECTRICAL AND MECHANICAL CHARACTERISTICS

NOTES:

1. TAPE AND REEL PACKAGING PER EIA-481
2. ALL MATERIALS AND FINISHES SHALL COMPLY WITH EU DIRECTIVE 2002/95/EC OF 27JAN2003 (ROHS)

	8MM	12MM	6,500	1825534-2
OBSOLETE	-8MM	12MM	6,500	1825534-1
	PITCH	TAPE WIDTH	QTY PER REEL	TE P/N

THIS DRAWING IS A CONTROLLED DOCUMENT.		DIN R BROWN 15FEB06	TE Connectivity	
DIMENSIONS: mm		CHK M SARVER 15FEB06	NAME TACT SWITCH, 4 mm SLIMLINE, G-WING SMT	
TOLERANCES UNLESS OTHERWISE SPECIFIED:		APVD M SARVER 15FEB06	PRODUCT SPEC	
0 PLC ± -		APPLICATION SPEC		
1 PLC ± -		SIZE		
2 PLC ± 0.20[.008]		CAGE CODE		
3 PLC ± -		DRAWING NO		
4 PLC ± -		RESTRICTED TO		
ANGLES ± -		WEIGHT		
MATERIAL		A1 00779 C=1825534		
FINISH		RESTRICTED CUSTOMER		
		SCALE 10:1 SHEET 1 OF 1 REV E		