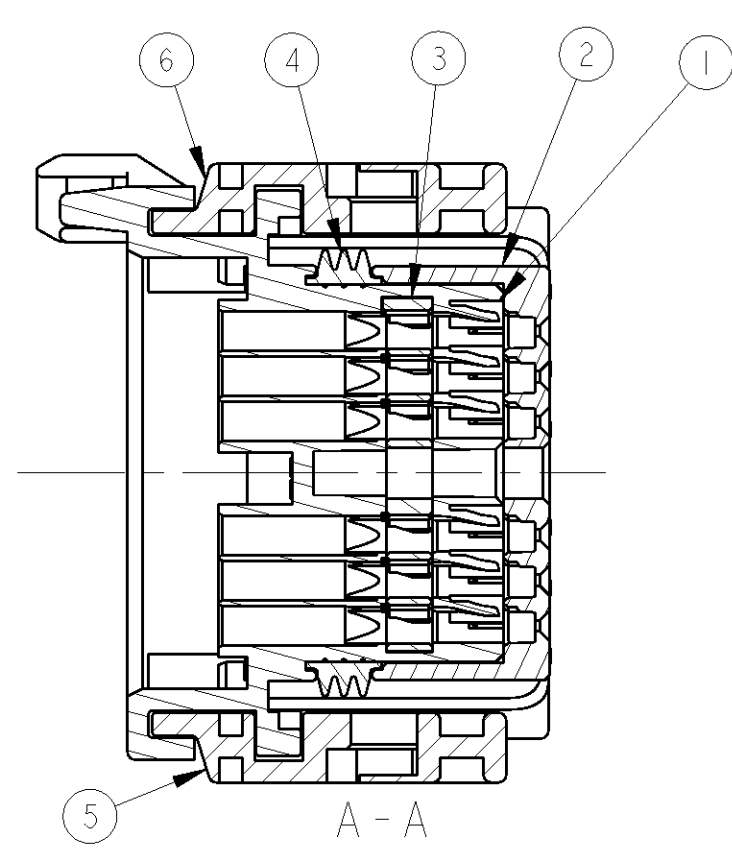
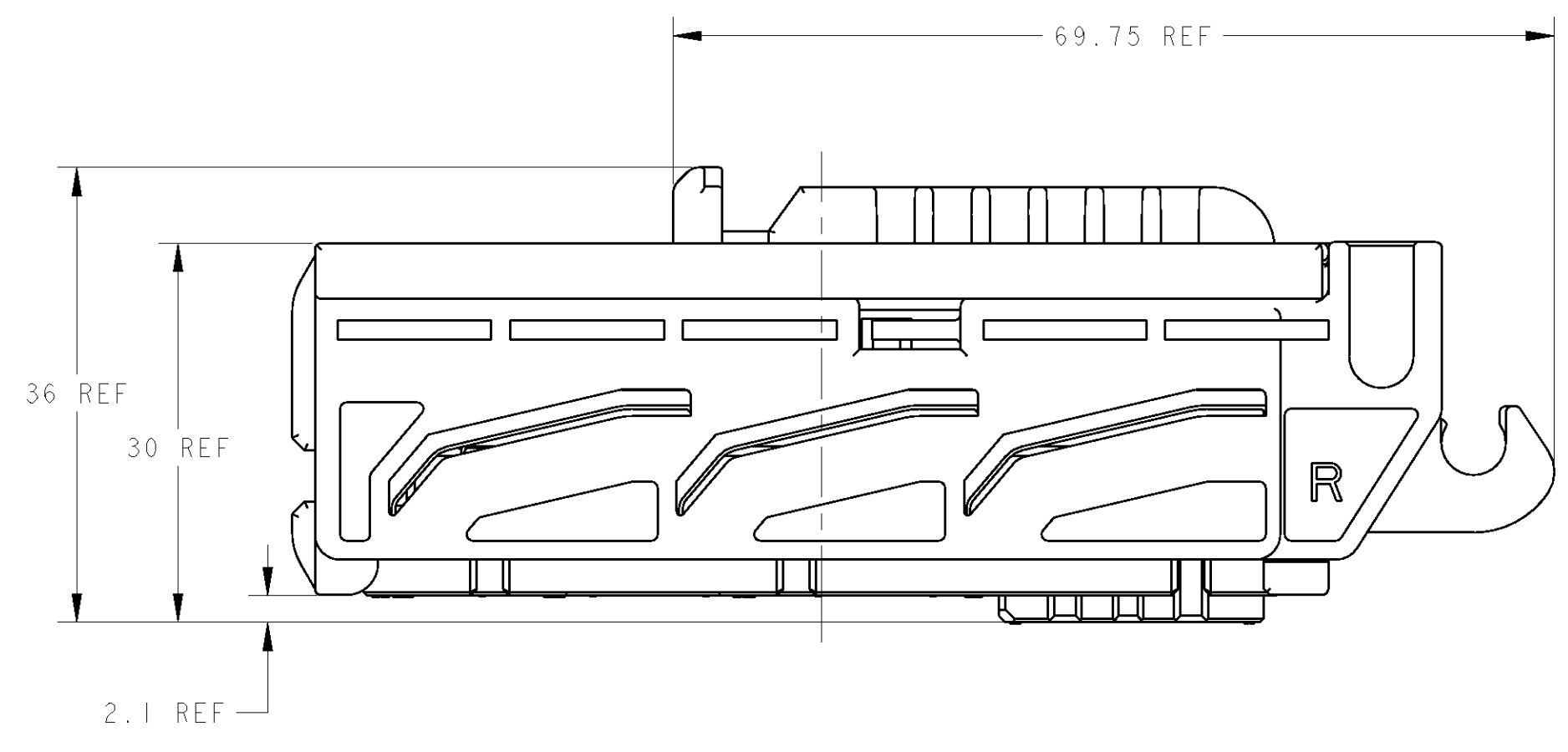
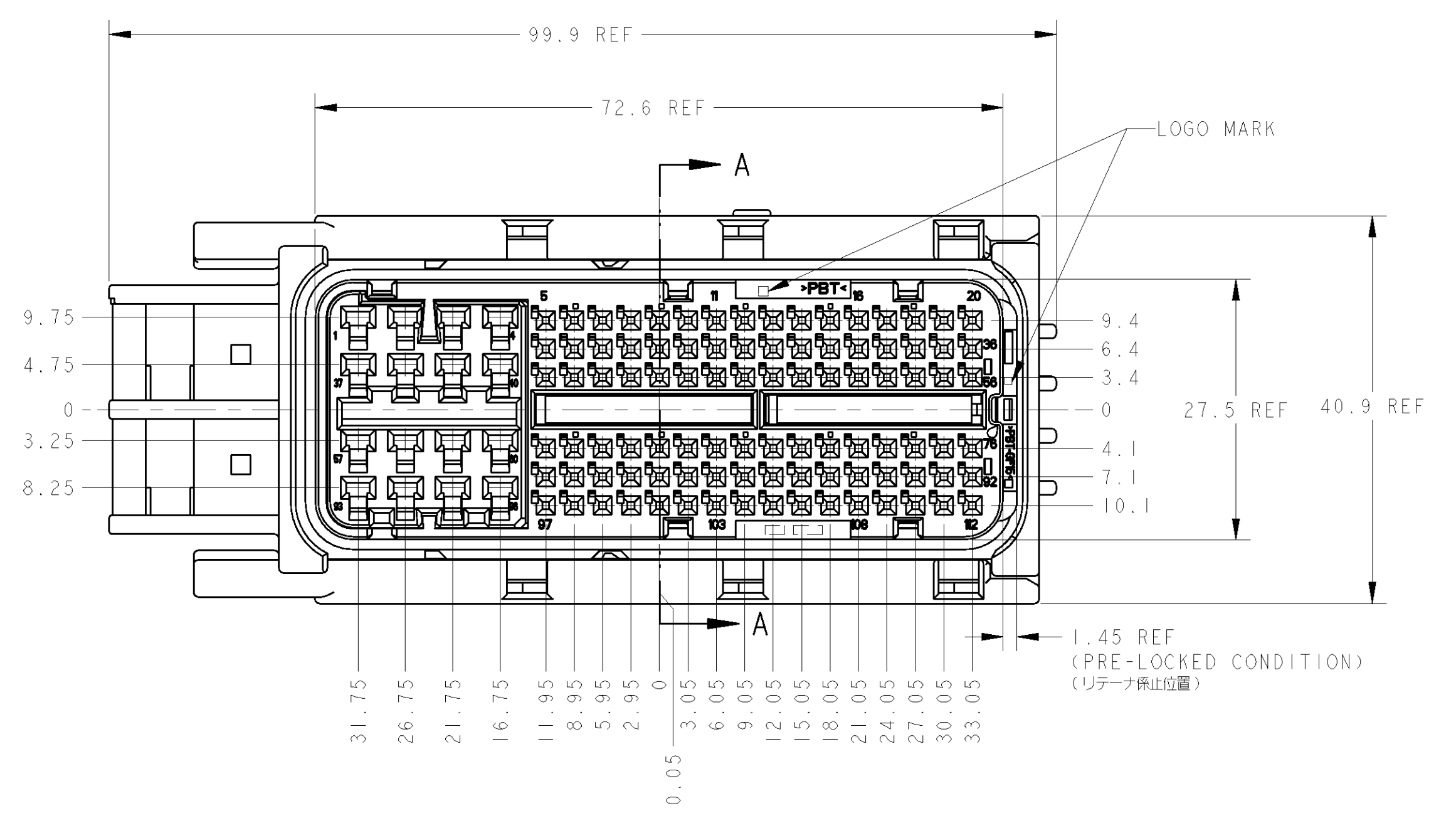
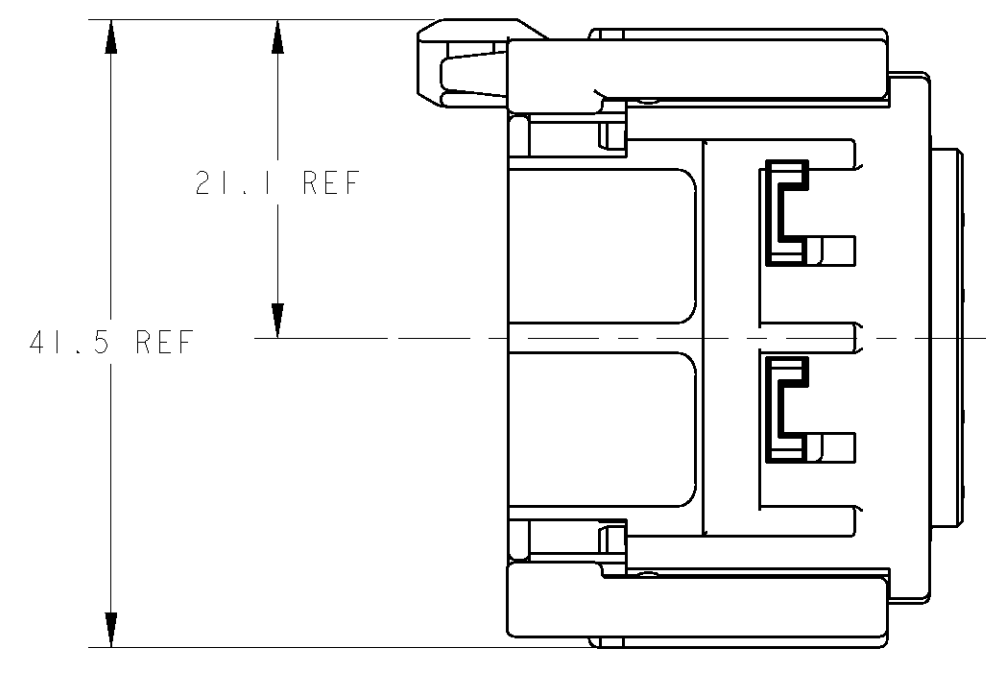
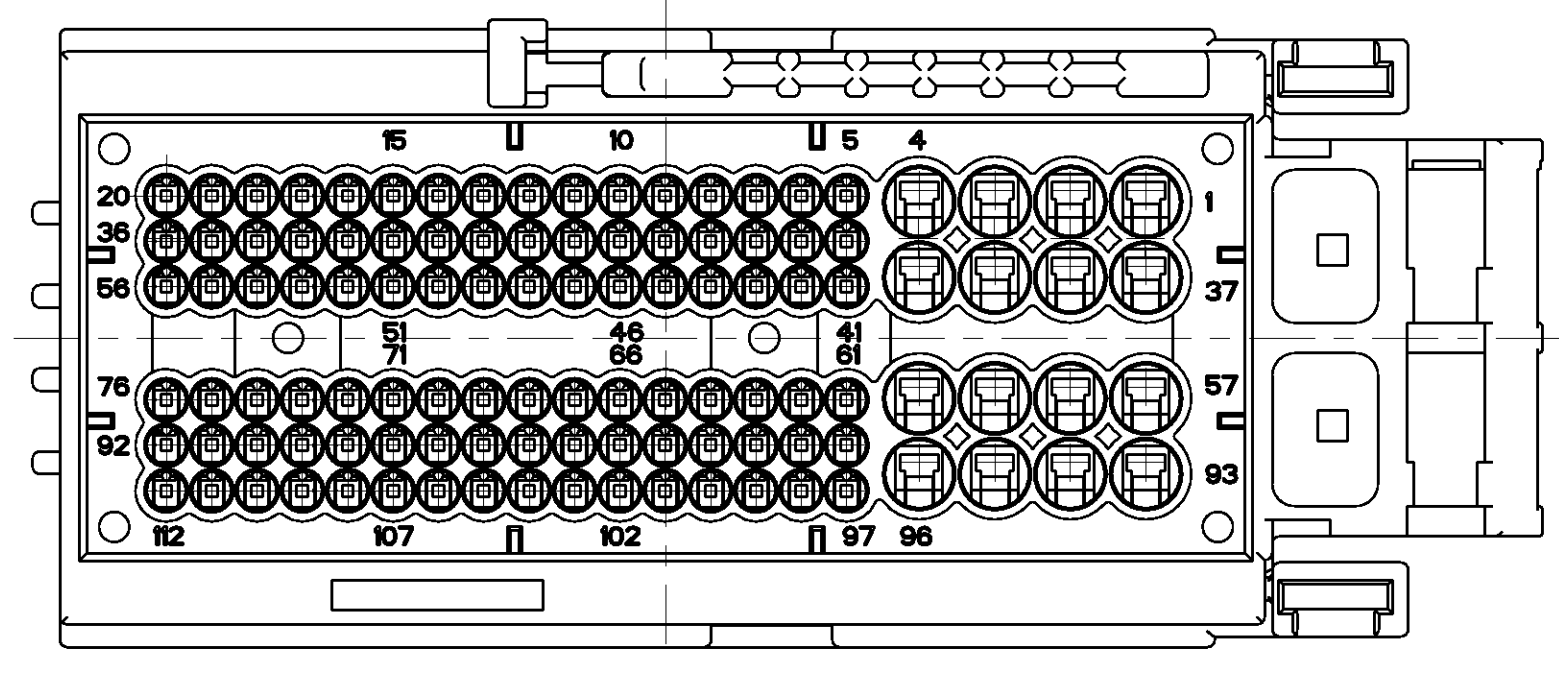


REV. NO.		REV. DATE	DESCRIPTION	DATE	DWN	APVD
J	1		RELEASED	17MAR08	SS	HY
	2		REVISED	12MAY10	TS	KB

- 1: AS SHOWN
 - 1: 本図



- MATING CONNECTOR IS; 1827028
 - HANDLING OF THIS PART SHOULD FOLLOW INSTRUCTION SHEET NO. 411-78084.
 - COMPONENTS OF THIS PART; SEE TABLE-1
 - THIS PRODUCT IS SHIPPED WITH RETAINER PRE-LOCKED POSITION.
 - ASSEMBLED BY CUSTOMER. LEVER P/N FOR SUPPLEMENT PN; 1612281
1. 嵌合相手品番 P/N; 1827028
 2. 本製品の取扱は取扱説明書NO. 411-78084に従うこと
 3. 本製品の構成部品; TABLE-1参照
 4. リテーナは取扱状態にて出荷される。
 5. レバーは顧客にて組立てされる。
 補給用レバー品番: 1612281

TABLE-1

ITEM NO.	DESCRIPTION	MATERIAL	PACKING STYLE	
			INNER	OUTER
1	112P SLIDER-L	PBT GF30	BLACK	6
5	112P SLIDER-R	PBT GF30	BLACK	5
4	112P SEAL RING	SILICONE	REDDISH BROWN	4
3	112P RETAINER	PBT GF15	NATURAL	3
2	112P FRONT CAV	PBT	BLACK	2
1	112P PLUG HSG	PBT GF15	BLACK	1
1827022-1	COLOR	MATERIAL		

DIMENSIONS: 単位: mm TOLERANCES UNLESS OTHERWISE SPECIFIED: 0-PLC ±0.3 1-PLC ± 2-PLC ± 3-PLC ± 4-PLC ± ANGLES ±°		DWN: S. SHISHIKURA CHK: K. SAKAMAKI APVD: H. YAMAGAMI PRODUCT SPEC: 108-5891 APPLICATION SPEC: 114-5336 FINISH: 上		Tyco Electronics Corporation Kawasaki, Japan PLUG ASSY 112POS. REVERSE TYPE, 0.64/2.311 SEALED	
MATERIAL: SEE TABLE		WEIGHT: 60 g		SIZE: A 00779	
CUSTOMER DRAWING		DRAWING NO: C=1827022		RESTRICTED TO: B	