
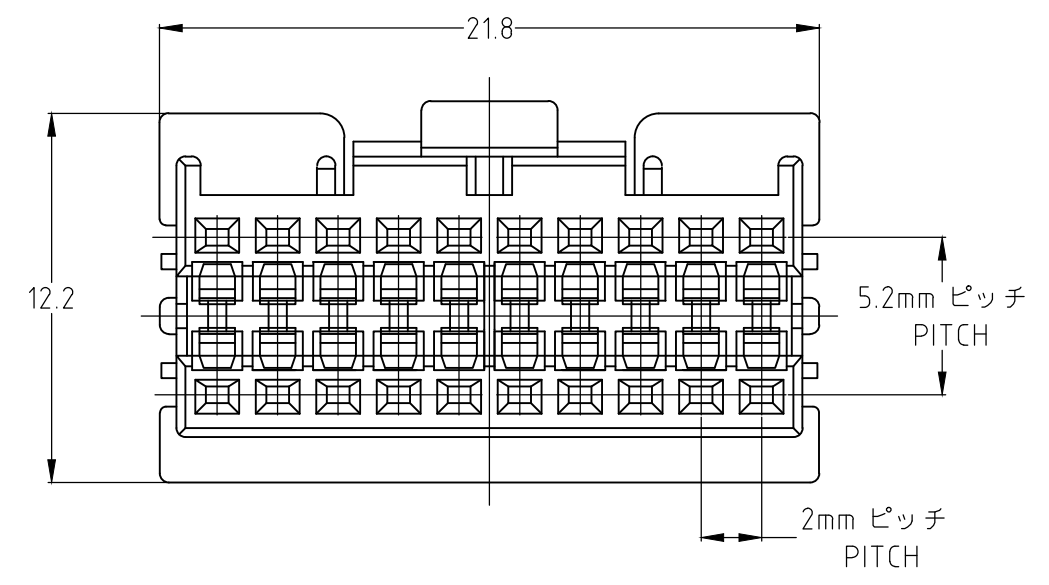
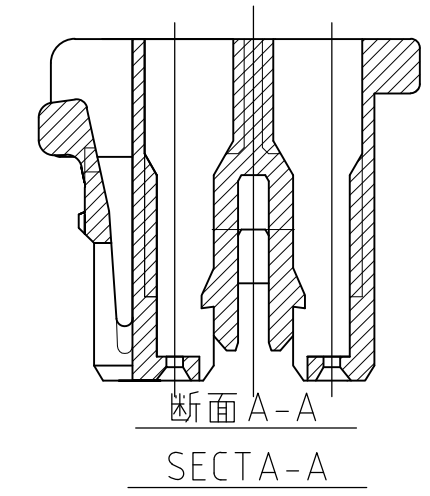
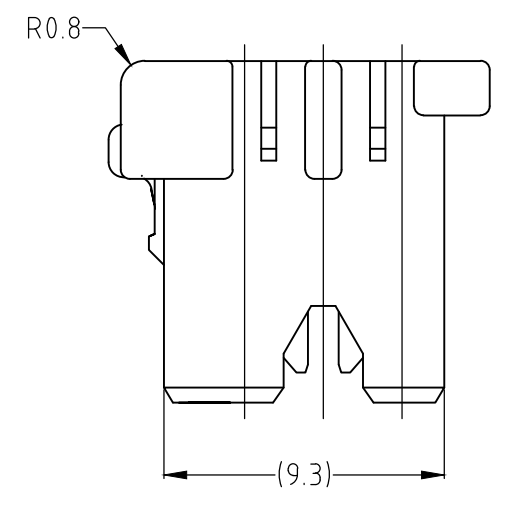
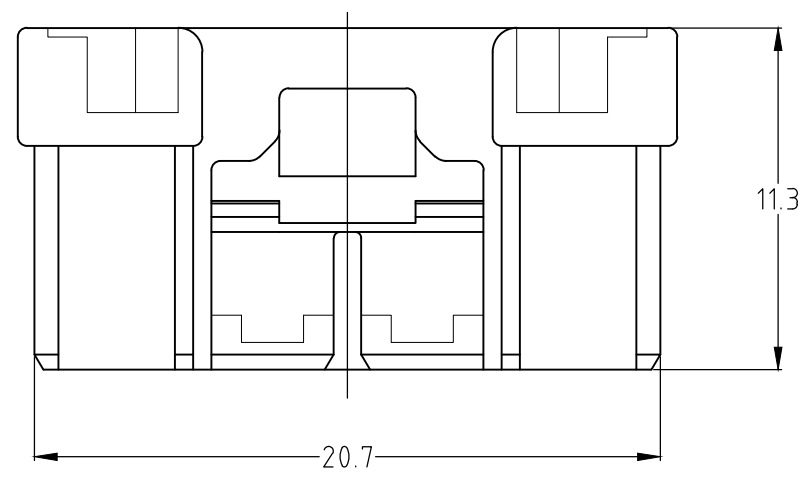
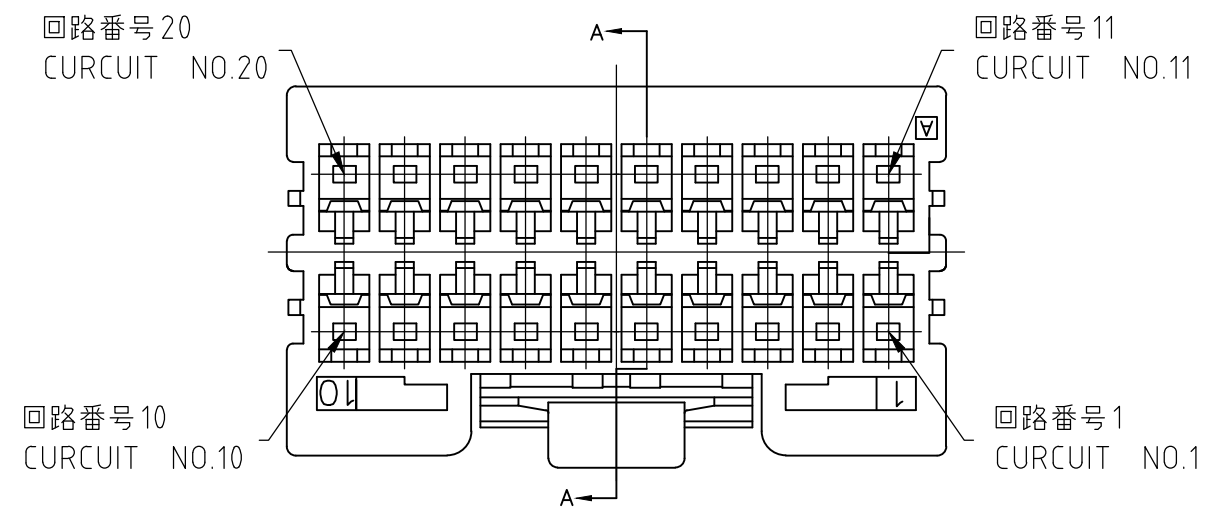



REVISIONS 変更				
P	LTR	DESCRIPTION	DATE	APVD
	A1	REVISED ECO-20-007218	27MAY2020	C.X D.Z

- NOTES;
- GENERAL TOLERANCE: $\pm 0.3, \pm 3^\circ$
 - METERIAL :66NYLON GF (UL94V-0)
 - MATING CONN.P/N:SEE TABLE
 - APPLICABLE CONTACT P/N:1827290-1
-  PRELIMINARY PARTS NOT FOR PRODUCTION.



3-1827229-6	20	YELLOW	 3-1827228-6
2-1827229-6	20	BLUE	 2-1827228-6
1-1827229-6	20	RED	 1-1827228-6
1827229-6	20	NATURAL	1827228-6
かん合相手側型番 (MATING CONN P/N)	極数 (POS)	色調 (COLOR)	型番 (P/N)

THIS DRAWING IS A CONTROLLED DOCUMENT.		DWN J.SATO 7APR2005	 TE Connectivity	
DIMENSIONS: 単位: 耗 mm		CHK T.HATANO 7APR2005		
TOLERANCES UNLESS OTHERWISE SPECIFIED: 一般公差		APVD N.YAMASAKI 7APR2005	NAME 名称	
0 PLC ± -		PRODUCT SPEC 製品規格 108-78229	GRACE INERTIA CONNECTOR 2.0 PLUG HSG	
1 PLC ± -		APPLICATION SPEC 取付適用規格 114-5359	SIZE A3	CAGE CODE 00779
2 PLC ± -		WEIGHT 0.000000	DRAWING NO 番号 C-1827228	RESTRICTED TO -
3 PLC ± -		CUSTOMER DRAWING	SCALE 尺度 4:1	SHEET 1 OF 1
4 PLC ± -			REV A1	
ANGLES ± -				
FINISH 仕上				
MATERIAL 材料 SEE NOTE				