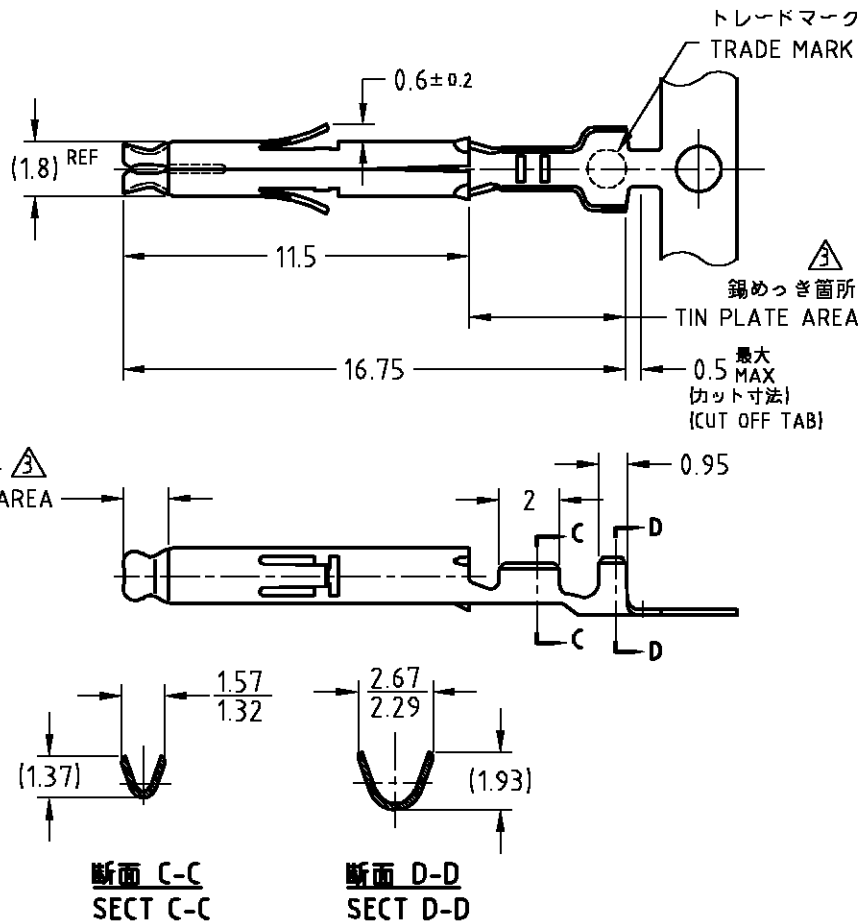


LOC J	DIST —	REVISIONS 変更				DATE 07MAR'07	DWN J.S	APVD N.Y
		P	LTR	DESCRIPTION				
		B	REVISED	ECR-07-004237				



注記

- 適用ハウジング：プラグ及びキャップ
- 取扱説明書：IS-105J
- 全面Niメッキの上にかん合部金メッキ  
圧着部錫メッキ仕上げ・燐青銅

NOTE

- APPLICABLE HOUSING:  
PLUG HOUSING AND CAP HOUSING
- INSTRUCTION SHEET : IS-105J
- ALL OVER Ni PLATING, MATING AREA Au PLATING,  
BARREL AREA Sn PLATING/ PHOS BRO

φ 0.88~1.27	#30-#26 (0.05-0.15mm <sup>2</sup> )	△	1827499-2
φ 0.88~1.27	#30-#26 (0.05-0.15mm <sup>2</sup> )	錫めっき済燐青銅 PRE-TIN PHOS BRO	1827499-1
適用被覆外径 INSULATION RANGE	適用電線 WIRE RANGE	材料 MATERIAL	型番 PART NUMBER

THIS DRAWING IS UNPUBLISHED. ALL RIGHTS RESERVED. BY TYCO ELECTRONICS CORPORATION.

DIMENSIONS: 単位：耗 mm	DWN J.SATO	23FEB2006	MATERIAL 材料	SEE TABLE	FINISH 仕上
	CHK N.YAMASAKI	23FEB2006	Tyco Electronics AMP K.K. Kawasaki, Japan		
TOLERANCES UNLESS OTHERWISE SPECIFIED: 一般公差	APVD N.YAMASAKI	23FEB2006			
10以下 ± 0.2 10を超え30以下 ± 0.25 30を超え100以下 ± 0.3	PRODUCT SPEC 製品規格	SIZE A4			
ANGLES ± 3°	APPLICATION SPEC 取付適用規格	CAGE CODE 00779	DRAWING NO 番号 C-1827499	RESTRICTED TO —	
	WEIGHT	CUSTOMER DRAWING		SCALE 尺度 5:1	SHEET 1 OF 1
AMP 1469-35 REV 31MAR2000			REV B		