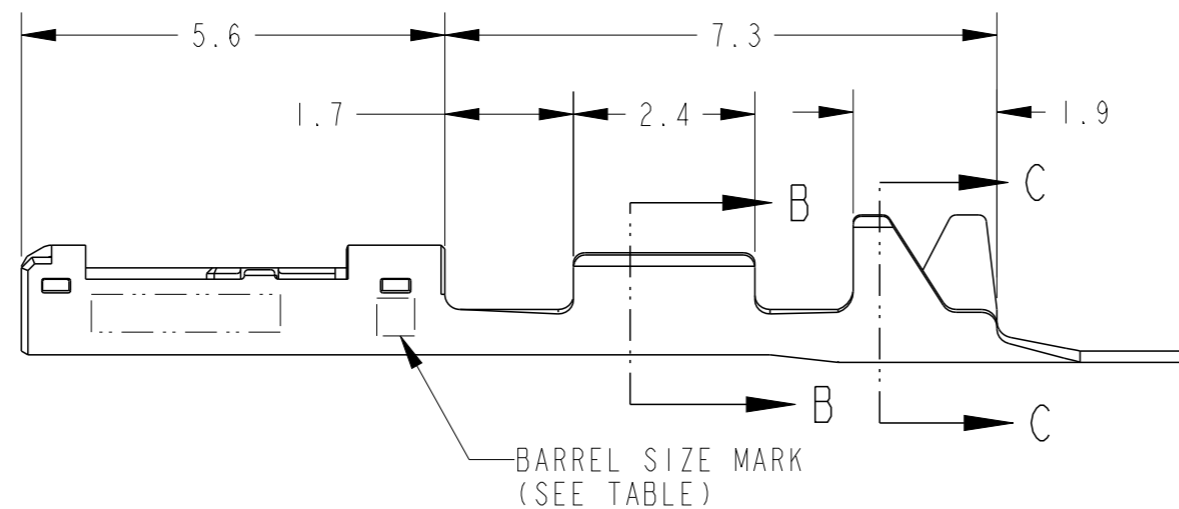
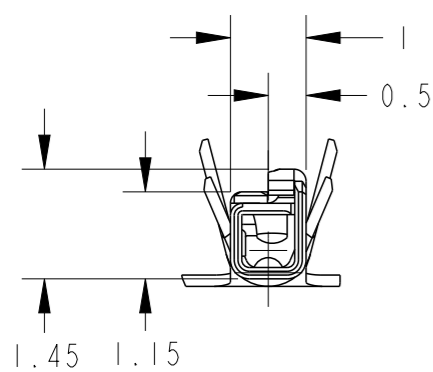
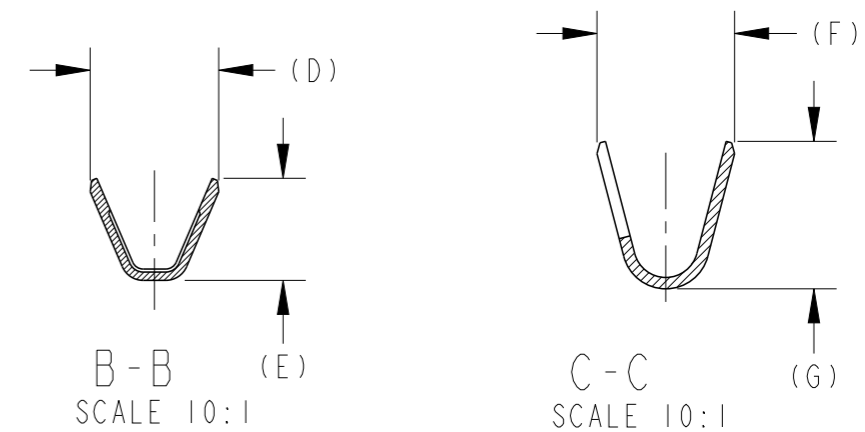
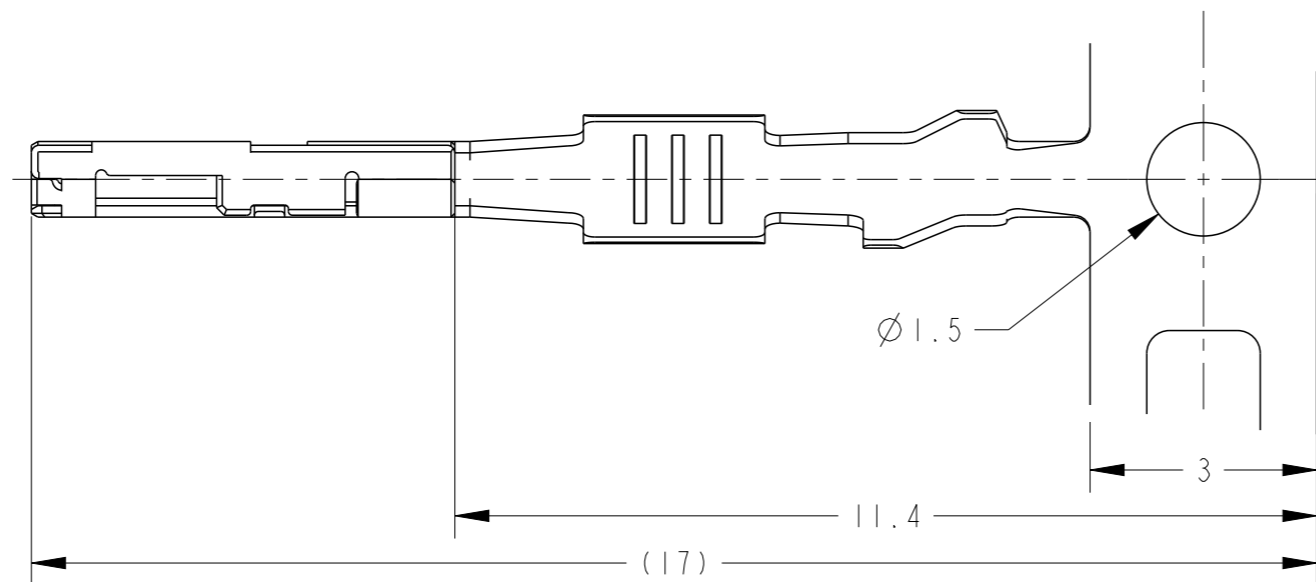


P	LTR	DESCRIPTION	DATE	DWN	APVD
	A3	REVISED	ECR-20-004890	09APR2020	DT RK
	A4	REVISED	ECR-21-118871	21OCT2021	RK KK
	A5	REVISED	ECR-22-148286	03AUG2022	AY HH
	A6	REVISED	ECR-23-163668	16JAN2023	AY HH



1. 適用電線タイプ; TABLE-1参照
 2. 圧着作業については、下記の規格を参照すること
取付適用規格; 114-5379
 3. アプリケータ送りピッチ; 7mm
1. APPLICABLE WIRE TYPE; SEE TABLE-1
 2. MUST BE REFERRED TO THE FOLLOWING DOCUMENTS FOR CRIMPING OPERATION
APPLICATION SPEC; 114-5379
 3. APPLICATOR FEED; 7mm

TABLE-1

CHFUS/CIVUS	Ø0.85~0.95	0.13~0.22mm ²	1.74	1.82	1.26	1.7	S	0.50 REC (S)	1827855-4
CPEX	Ø1.3~1.5	0.22mm ²	2.45	2.1	1.35	1.7	C	0.50 REC (C)	1827855-3
CHFUS/CIVUS	Ø1.1~1.4	0.35~0.5mm ²	2.45	2.1	1.7	1.8	L	0.50 REC (L)	1827855-2
CHFUS/CIVUS	Ø0.95~1.2	0.22~0.35mm ²	1.95	1.82	1.35	1.7	M	0.50 REC (M)	1827855-1
APPLICABLE WIRE TYPE	INS RANGE	WIRE RANGE	G	F	E	D	BARREL SIZE MARK	NAME	PART NO

THIS DRAWING IS A CONTROLLED DOCUMENT.

DIMENSIONS: 単位: 耗 mm		TOLERANCES UNLESS OTHERWISE SPECIFIED: 一般公差 ±0.3 0-PLC ± 1-PLC ±0.3 2-PLC ±0.10 3-PLC ±0.001 4-PLC ±0.0001 ANGLES ±3'00"	
MATERIAL 材料 COPPER ALLOY		FINISH 仕上 PRE-TIN	

DWN	Y. SUEMITSU	25APR2005
CHK	K. SAKAMAKI	25APR2005
APVD	S. ISOHATA	25APR2005
PRODUCT SPEC	108-78208	
APPLICATION SPEC	114-5379	
WEIGHT	0.06 g	
CUSTOMER DRAWING		

		NAME 名称 RECEPTACLE CONTACT, CRIMP TYPE, 0.50 SERIES	
		SIZE	A3
CAGE CODE	00779	DRAWING NO	1827855
RESTRICTED TO	-		
SCALE	10:1	SHEET	1 OF 1
REV	A6		