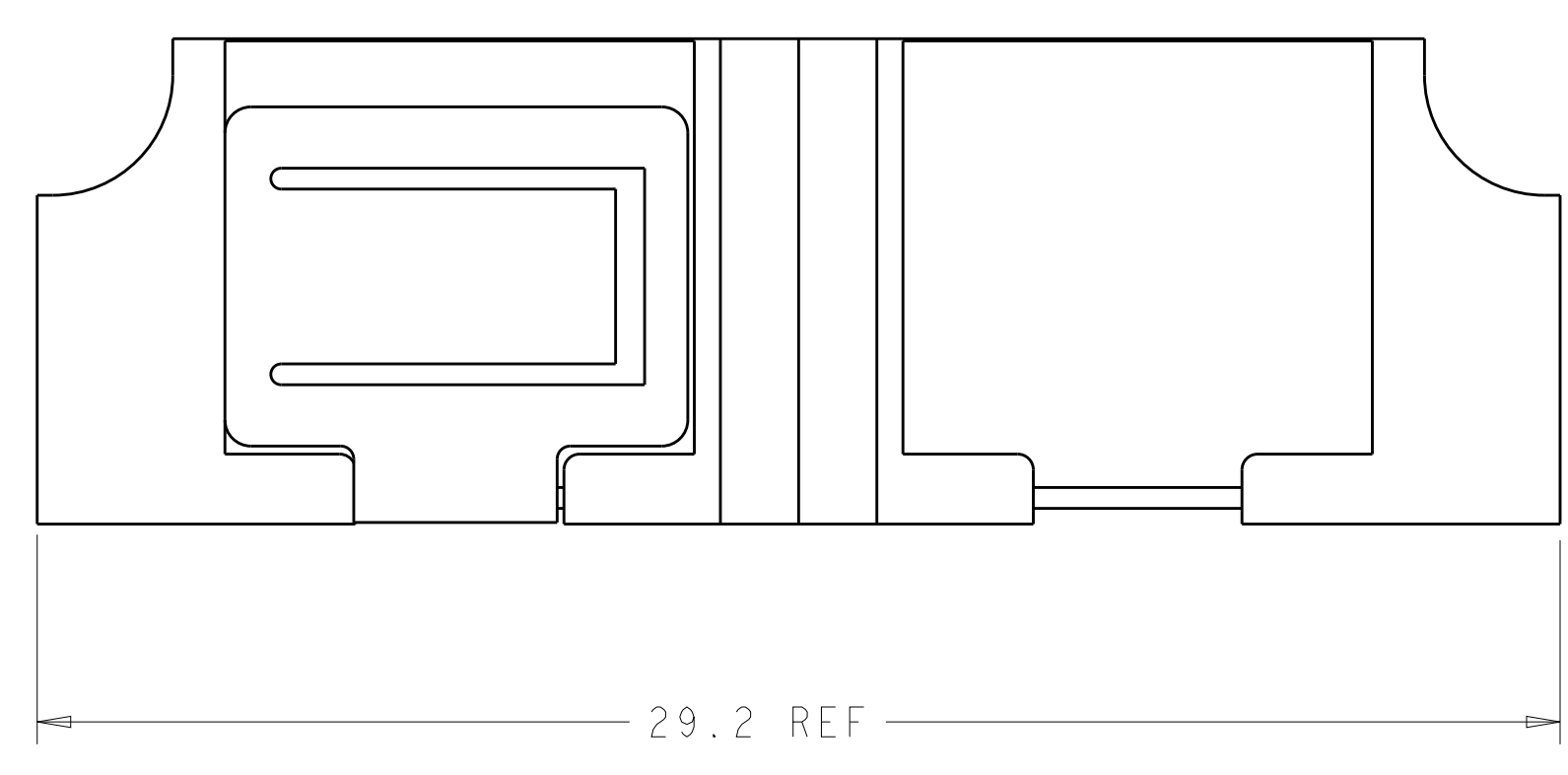
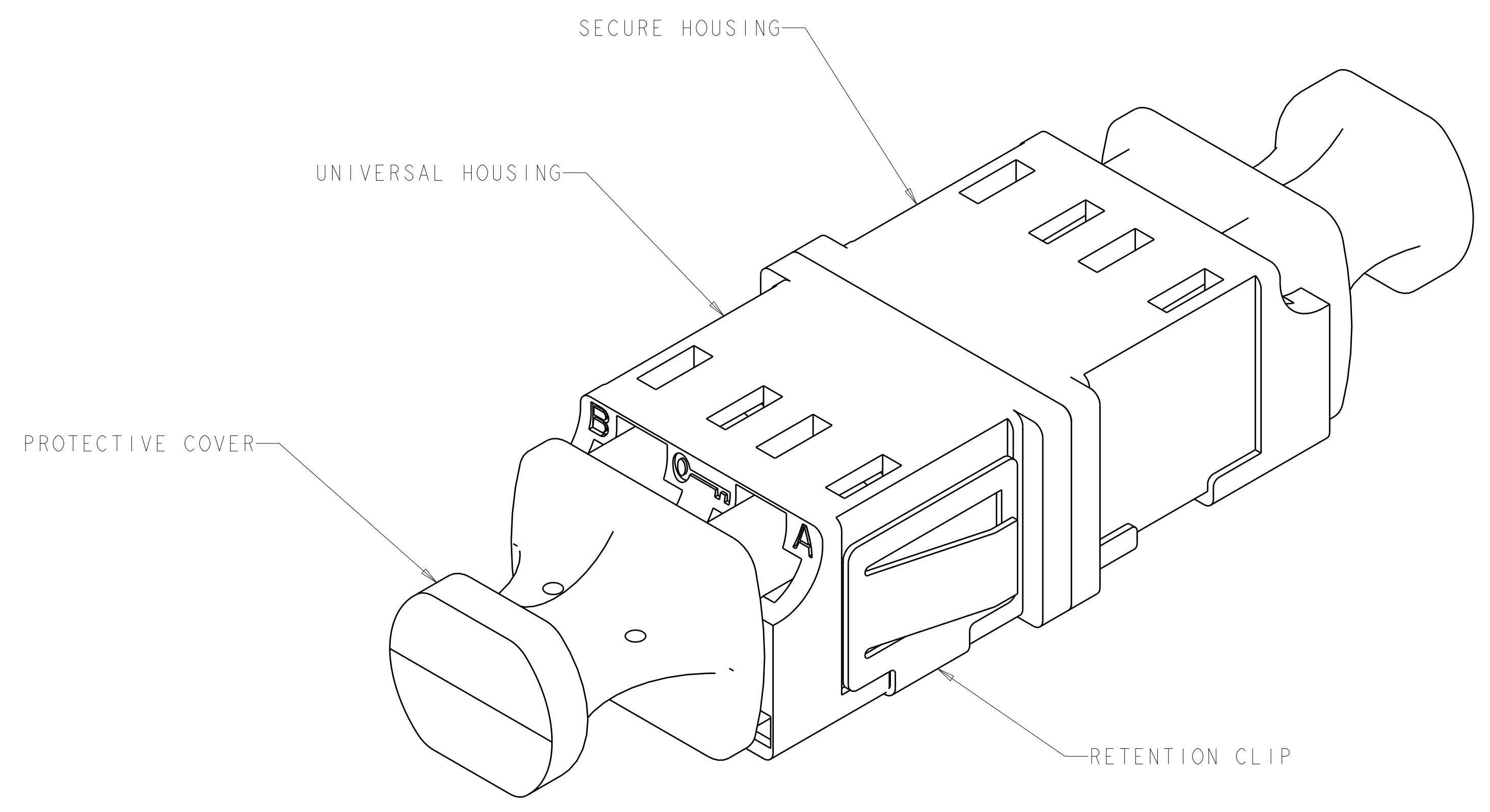
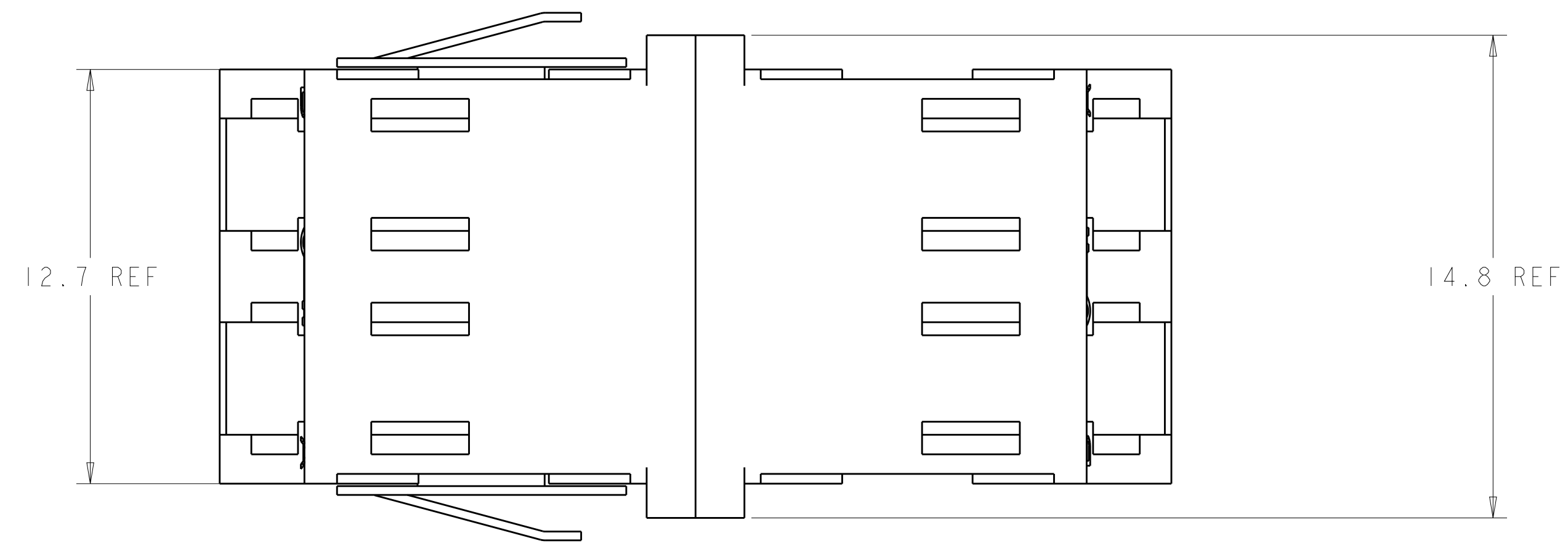
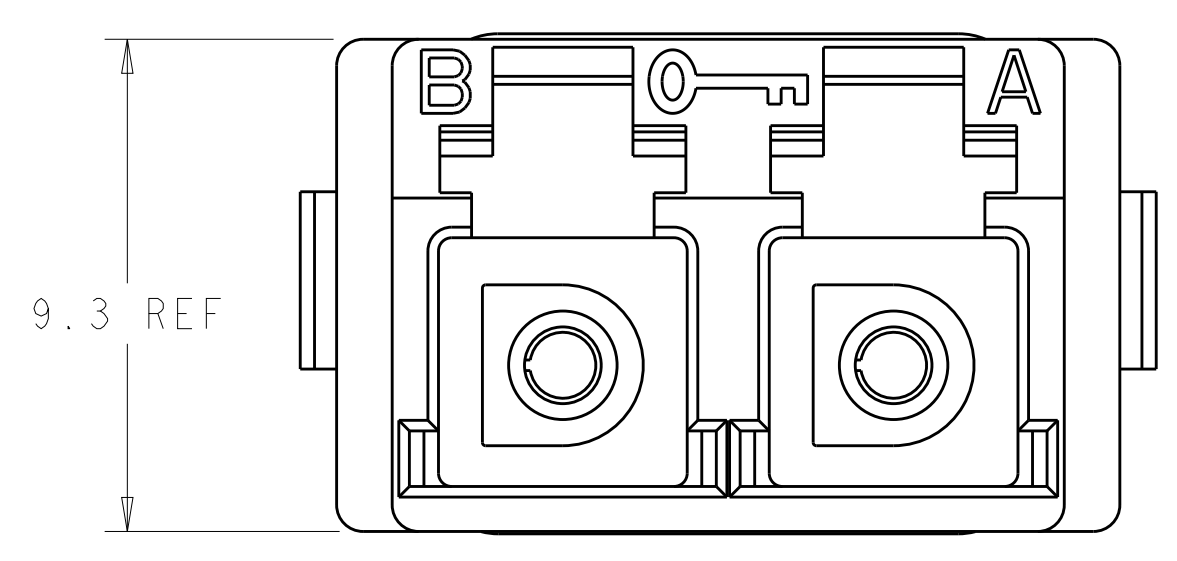


REVISIONS				
P.	LTN.	DESCRIPTION	DATE	APP'D.
B		REV; ECO-15-000119	06JAN2015	GG TE

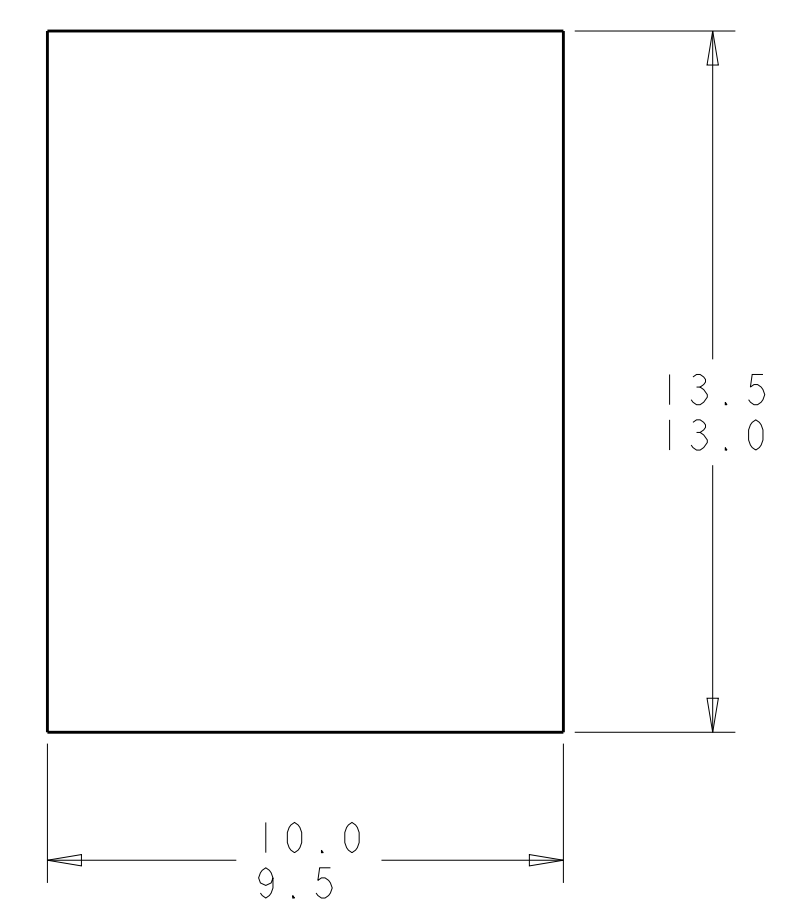
△ MATERIAL:  
 HOUSINGS: THERMOPLASTIC, PPE-PS\*  
 ALIGNMENT SLEEVES: CERAMIC  
 PROTECTIVE COVERS: THERMOPLASTIC ELASTOMER\*  
 RETENTION CLIP: SST  
 \* UL 94 V-0 RATED AT QUALIFYING THICKNESS



PROTECTIVE COVERS  
 NOT SHOWN



(RED/BLACK - 1 SHOWN)



RECOMMENDED PANEL CUTOUT  
 MAX PANEL THK. 1.7

SLATE/BLACK	I-1828866-0
ORANGE/BLACK	1828866-9
VIOLET/BLACK	1828866-8
BROWN/BLACK	1828866-7
AQUA/BLACK	1828866-6
ROSE/BLACK	1828866-5
BLUE/BLACK	1828866-4
GREEN/BLACK	1828866-3
YELLOW/BLACK	1828866-2
RED/BLACK	1828866-1
HOUSING COLOR	PART NO.

THIS DRAWING IS A CONTROLLED DOCUMENT.		DWN E. HOPKINS	30AUG2005
DIMENSIONS:		CHK D. ERDMAN	30AUG2005
mm	TOLERANCES UNLESS OTHERWISE SPECIFIED:	APP'D D. BAECHELLE	30AUG2005
	0 PLC ±	PRODUCT SPEC	
	1 PLC ±	APPLICATION SPEC	
	2 PLC ±	SIZE	
	3 PLC ±	CAGE CODE	
	4 PLC ±	DRAWING NO	
	ANGLES ±	RESTRICTED TO	
MATERIAL	FINISH	WEIGHT	
TBX		A100779C=1828866	
		Customer Drawing	

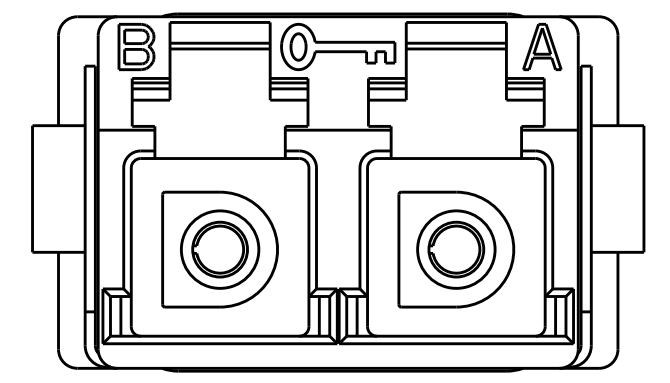
TE Connectivity

LC SECURE HYBRID ADAPTER ASSEMBLY, FLANGELESS

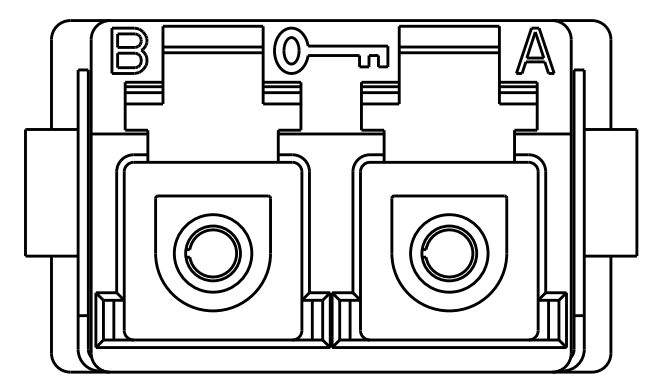
SCALE 7:1 SHEET 1 OF 2 REV B

THIS DRAWING IS UNPUBLISHED. RELEASED FOR PUBLICATION 20  
COPYRIGHT 20 BY - ALL RIGHTS RESERVED.

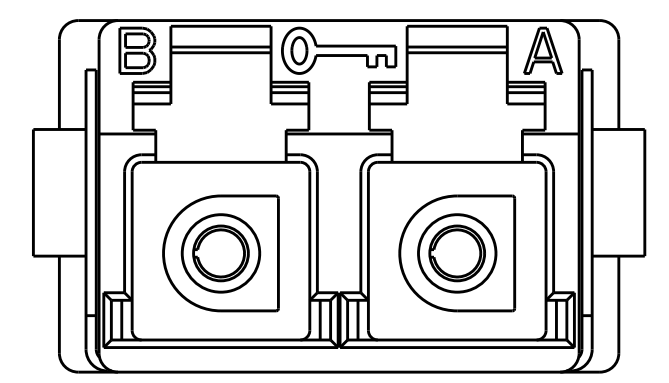
REVISIONS				
P.	LTN	DESCRIPTION	DATE	OWN APVD
-	-	SEE SHEET 1	-	-



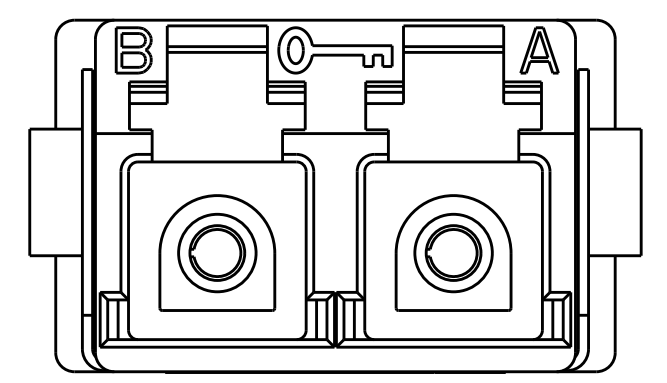
1828866-1  
RED/BLACK



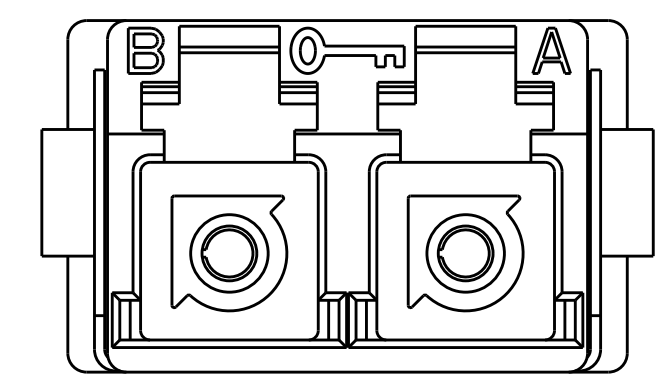
1828866-2  
YELLOW/BLACK



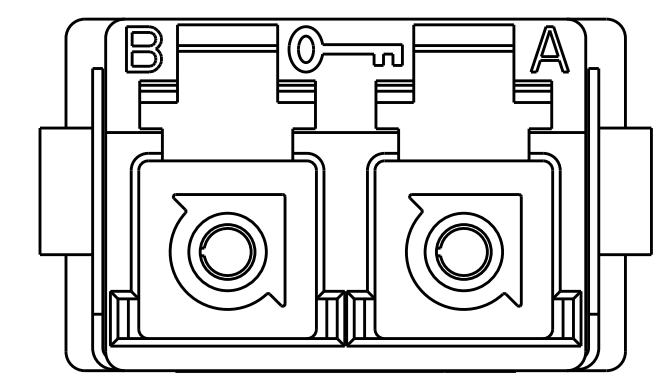
1828866-3  
GREEN/BLACK



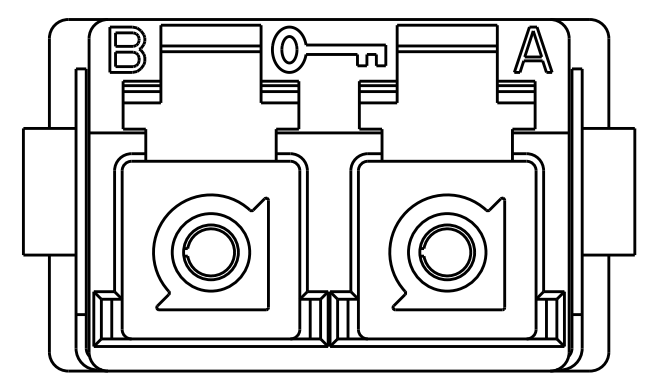
1828866-4  
BLUE/BLACK



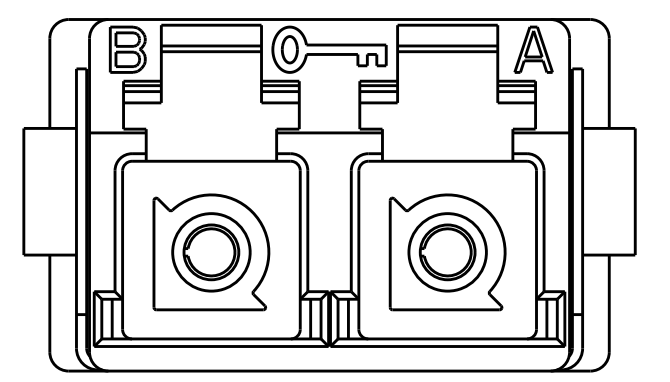
1828866-5  
ROSE/BLACK



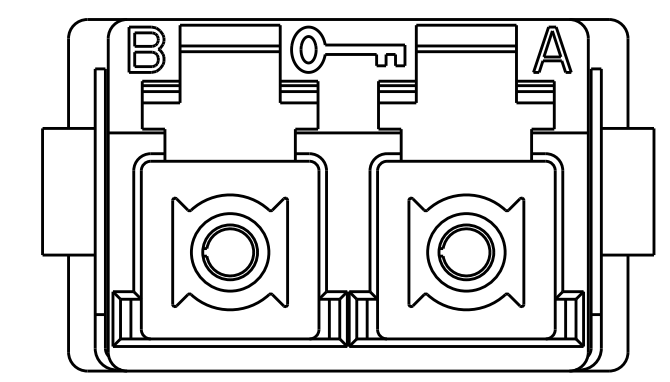
1828866-6  
AQUA/BLACK



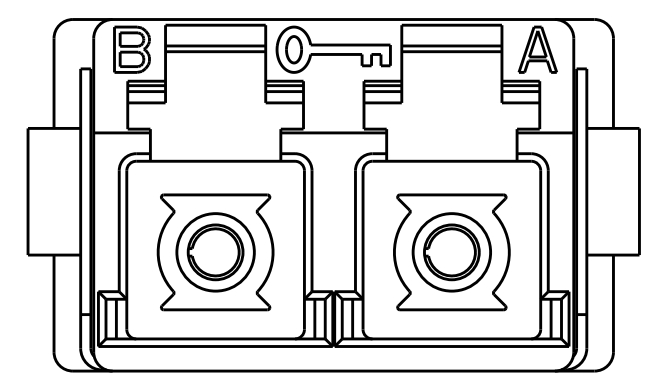
1828866-7  
BROWN/BLACK



1828866-8  
VIOLET/BLACK



1828866-9  
ORANGE/BLACK



1-1828866-0  
SLATE/BLACK

- SECURE HALF GEOMETRY SHOWN

THIS DRAWING IS A CONTROLLED DOCUMENT.		OWN E. HOPKINS 30AUG2005	
DIMENSIONS:		CHK D. ERDMAN 30AUG2005	
TOLERANCES UNLESS OTHERWISE SPECIFIED:		APVD D. BAECHTLE 30AUG2005	
mm		PRODUCT SPEC	
0 PLC	±	APPLICATION SPEC	SIZE
1 PLC	±	WEIGHT	CAGE CODE
2 PLC	±	Customer Drawing	DRAWING NO
3 PLC	±		RESTRICTED TO
4 PLC	±		
ANGLES	±		
MATERIAL	FINISH		
TBD	-		
-	-		