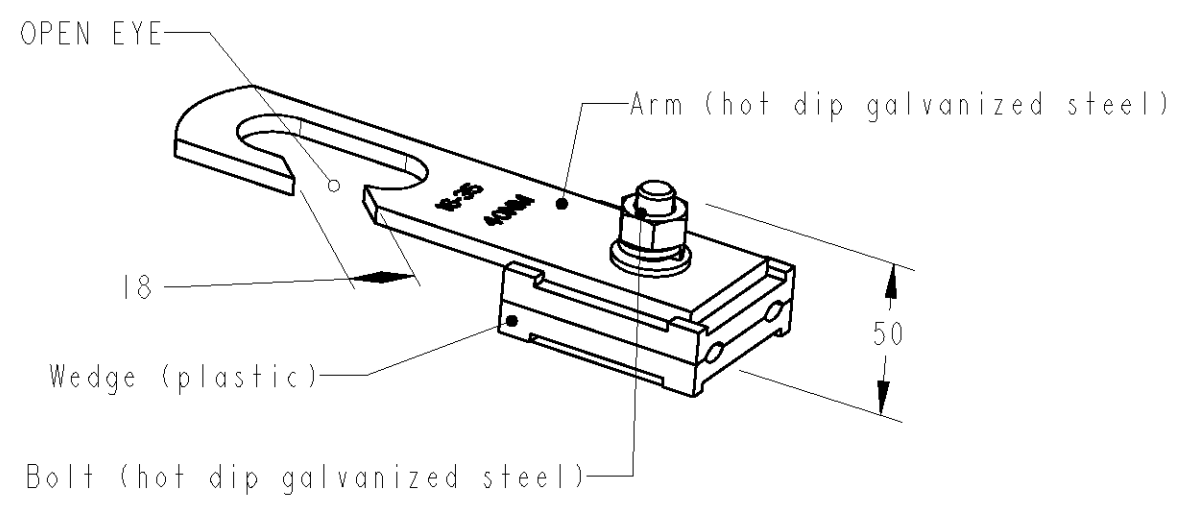
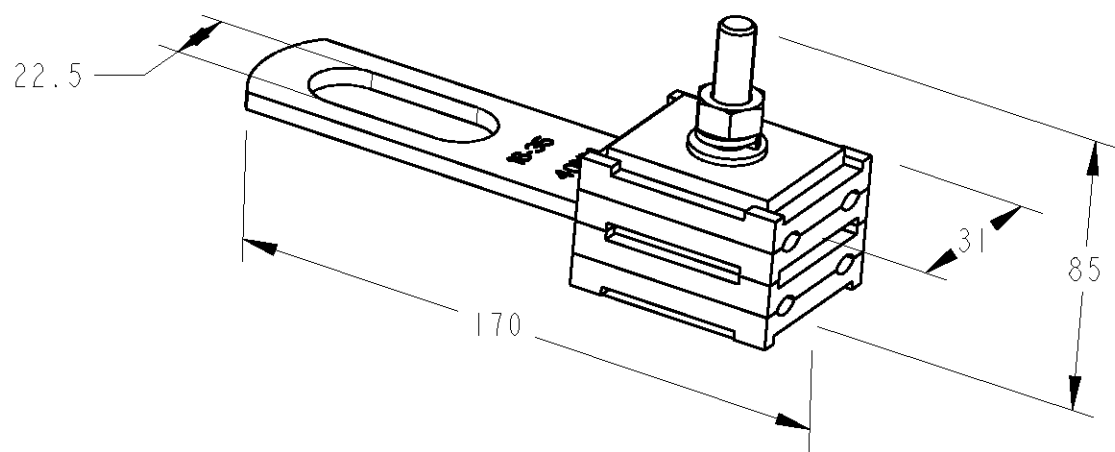


LOC	DIST	REVISIONS				
P	LTR REV	DESCRIPTION MODIFICATIONS	DATE	DWN DESS.	APVD APP.	
FH	2	A	CREATION	19SEP2005	RB GP	



9-1202054-1	HEL-5505-2B	2x10 to 2x35	YES	380
2-1201690-9	HEL-5505-B	4x10 to 4x35	YES	525
1-1199659-0	HEL-5505-2	2x10 to 2x35	NO	390
4-1199012-9	HEL-5505	4x10 to 4x35	NO	535
PART NUMBER	DESCRIPTION	CAPACITIES (mm ²)	OPEN EYE	WEIGHT (g)

TOLERANCES UNLESS OTHERWISE SPECIFIED:	-
TOLERANCES NON SPECIFIEES:	-
FINISH	-
MATIERE	-

DIMENSIONS: mm

TOLERANCES UNLESS OTHERWISE SPECIFIED / TOLERANCES NON SPECIFIEES (SUIV. NB DE DECIMALES):

0 PLC/DEC: ±0	
1 PLC/DEC: ±0.1	
2 PLC/DEC: ±0.2	
3 PLC/DEC: ±0.3	
4 PLC/DEC: ±0.4	
ANGLES	±

DWN/DESSINE	R. BUTHIOT	19SEP2005
CHK/VERIFIE	B. PELTIER	-
APVD/APPROUVE	G. PORCHERAY	-
PRODUCT SPEC	SPEC. PRODUIT	-
APPLICATION SPEC	SPEC. APPLICATION	-
WEIGHT	MASSE APPROX.	-

MATERIAL	-	FINISH	-
		SIMEL	
		21220 Gevrey-Chambertin, FRANCE	
NAME	..HEL-5505..		
TITRE	-		
SIZE	CAGE CODE	DRAWING NO	RESTRICTED TO RESERVE A
FORMAT	A4	00779	C=1830340

CUSTOMER DRAWING	/PLAN CLIENT	UNIQUEMENT POUR REFERENCE	SCALE	1:2	SHEET	1	OF	1	REV	A
------------------	--------------	---------------------------	-------	-----	-------	---	----	---	-----	---

20

RELEASED FOR PUBLICATION
 LIBRE A LA DIFFUSION

THIS DRAWING IS UNPUBLISHED.
 DIFFUSION RESTREINTE

BY TYCO ELECTRONICS CORPORATION. ALL RIGHTS RESERVED.
 TOUTS DROITS RESERVES.

COPYRIGHT 20