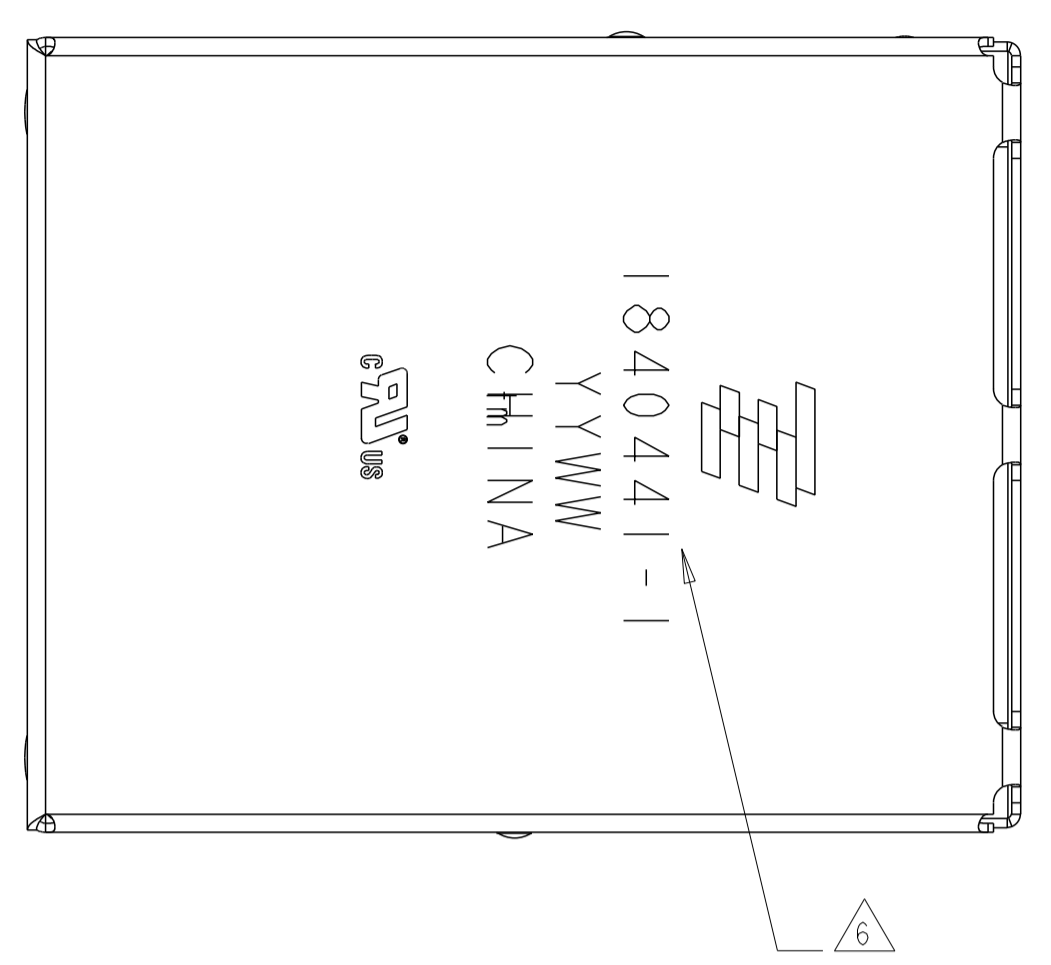
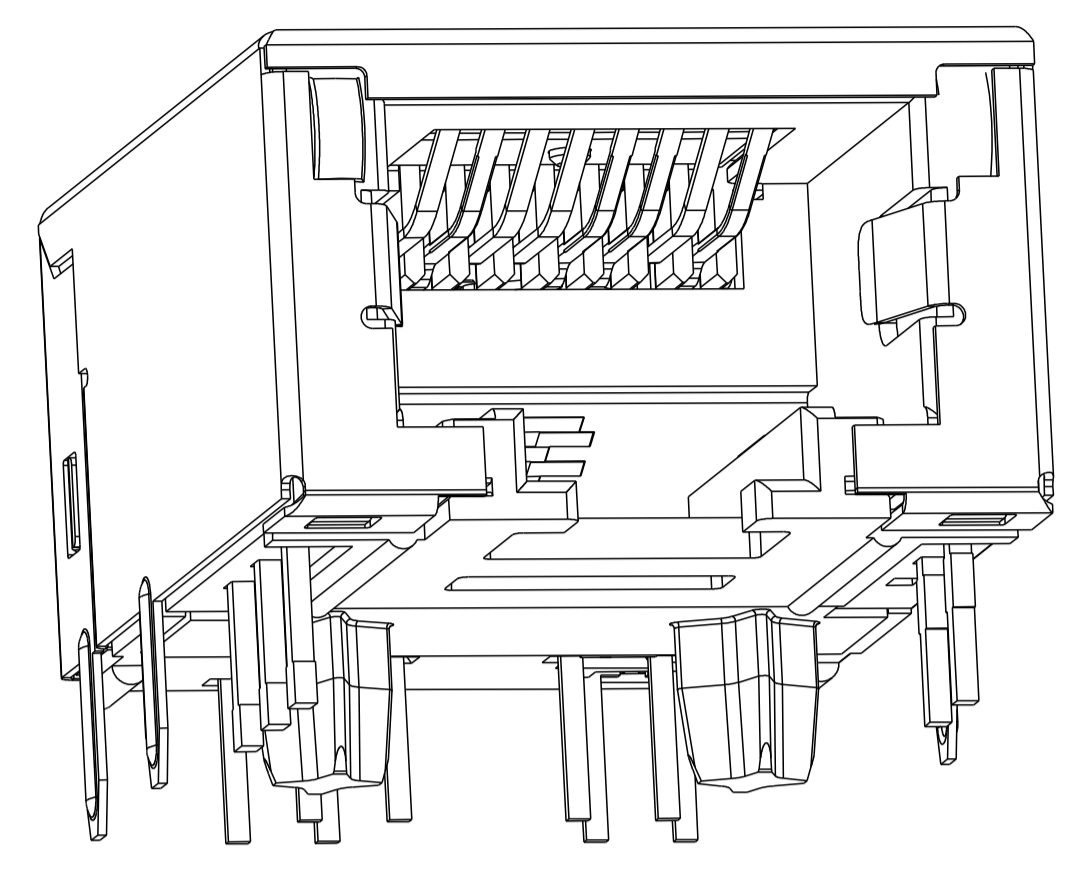


LOC		DIST		REVISIONS			
AA	00	P	LTR	DESCRIPTION	DATE	DWN	APVD
		11		UPDATE PRINT ERROR	12DEC11	AZ	DZ

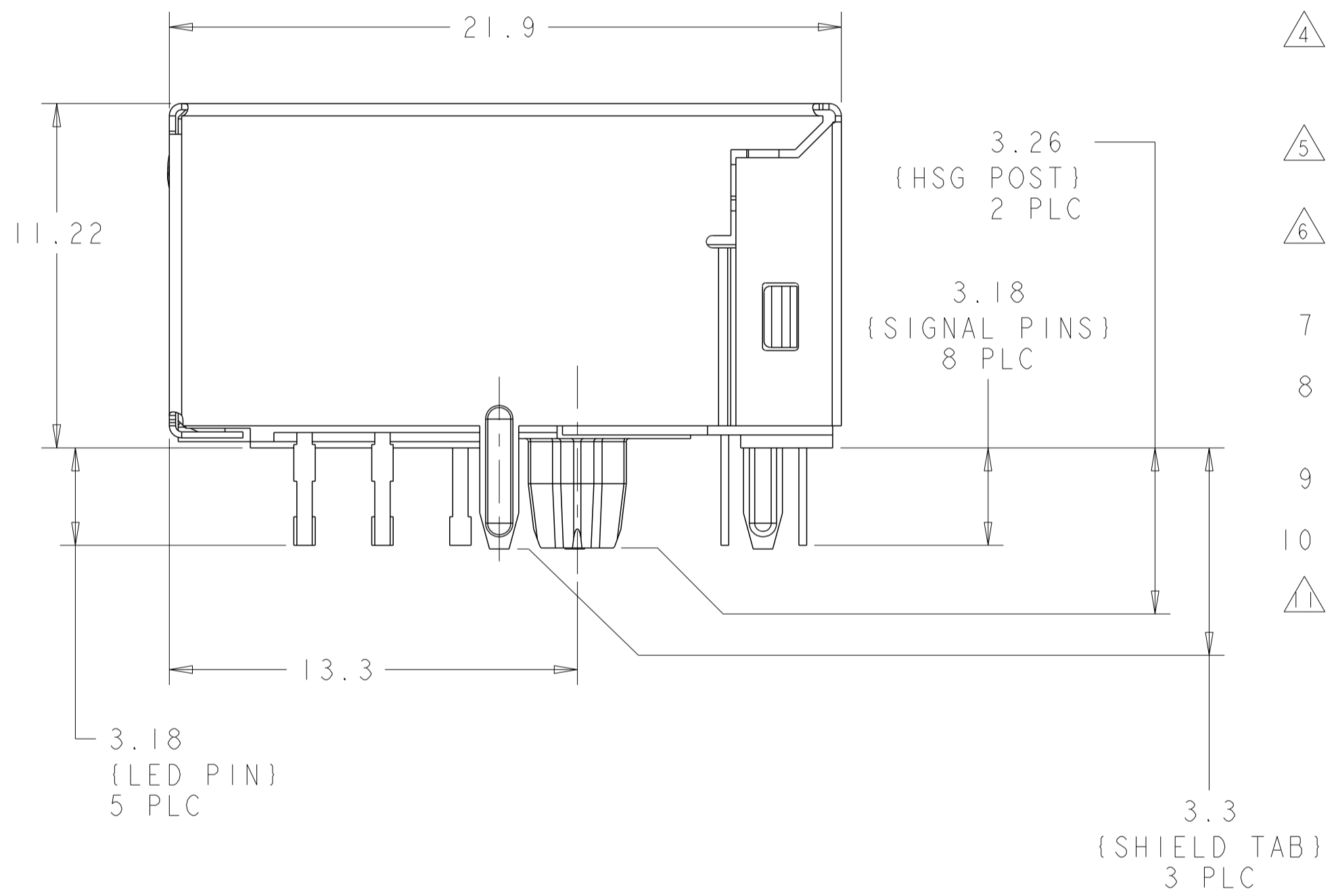
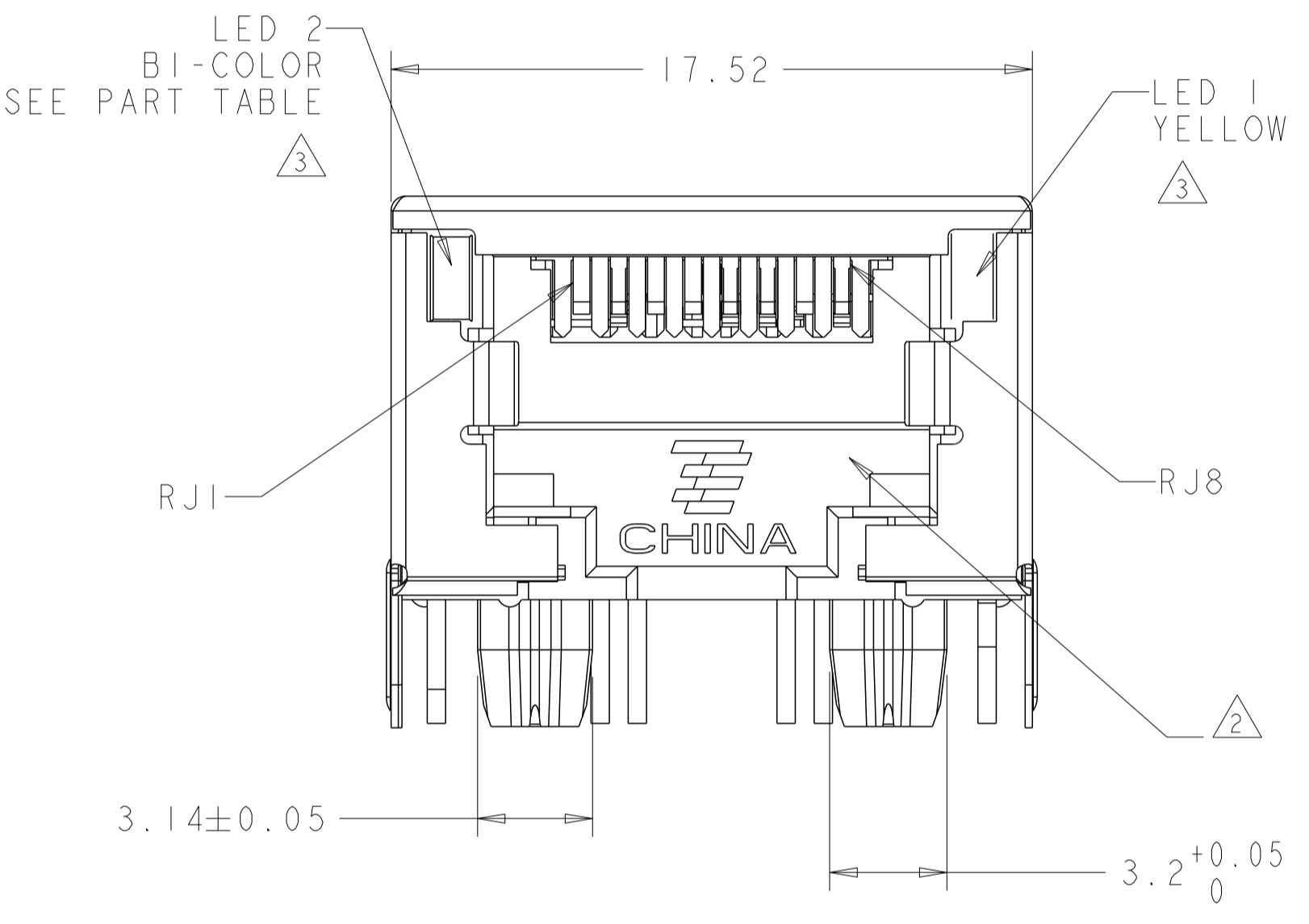


- MATERIALS:**
- HOUSING: HIGH TEMPERATURE NYLON, BLACK, UL 94V-0
 - SHIELD: 0.20mm THICK, BRASS PREPLATED WITH 0.76µm MIN SEMI-BRIGHT NICKEL; POST-DIPPED WITH 2µm MIN SAC 305 ALLOY LEAD FREE SOLDER (TIN PRIMARY, 3% SILVER, 0.5% COPPER)
 - CONTACT TAILS: 0.25mm THICK, PHOSPHOR BRONZE, 1.27 µm MIN OVERALL NICKEL UNDERPLATE, 3µm MIN TIN PLATE
 - MOD JACK CONTACTS: 0.20mm THICK, BERYLLIUM COPPER, 1.27 µm MIN OVERALL NICKEL UNDERPLATE, WITH 1.27µm MIN LOCALIZED GOLD PLATE AT PLUG INTERFACE
 - LIGHT EMITTING DIODE (LED): DIFFUSED EPOXY LENS, 0.5mm X 0.5mm CARBON STEEL WIREFRAME LEADS PREPLATED WITH 2.03µm MIN. SILVER PLATE OVER 1.02µm MIN. NICKEL OVER 1.02µm MIN. COPPER UNDERPLATES; LEADS POST-PLATED WITH 3.05µm MIN. MATTE TIN PLATE.
 - LIGHT PIPE: POLYETHER SULFONE

- △ RJ45 JACK CAVITY CONFORMS TO FCC RULES AND REGULATIONS PART 68, SUB-PART F.
- △ LED IS DRIVEN WITH CONSTANT CURRENT AT APPROX. 20mA
 LED COLOR: DOMINANT WAVELENGTH (λD): GREEN = 565±5nm TYP at IF=20mA
 FORWARD VOLTAGE (VF) : GREEN 2.2V TYP at IF=20mA
 DOMINANT WAVELENGTH (λD): YELLOW = 591±5nm TYP at IF=20mA
 FORWARD VOLTAGE (VF) : YELLOW 2.1V TYP at IF=20mA
 DOMINANT WAVELENGTH (λD) : ORANGE = 607±5nm TYP at IF=20mA
 FORWARD VOLTAGE (VF) : ORANGE 2.1V TYP at IF=20mA
 DOMINANT WAVELENGTH (λD) : BLUE = 467±8nm TYP at IF=20mA
 FORWARD VOLTAGE (VF) : BLUE 2.1V TYP at IF=20mA

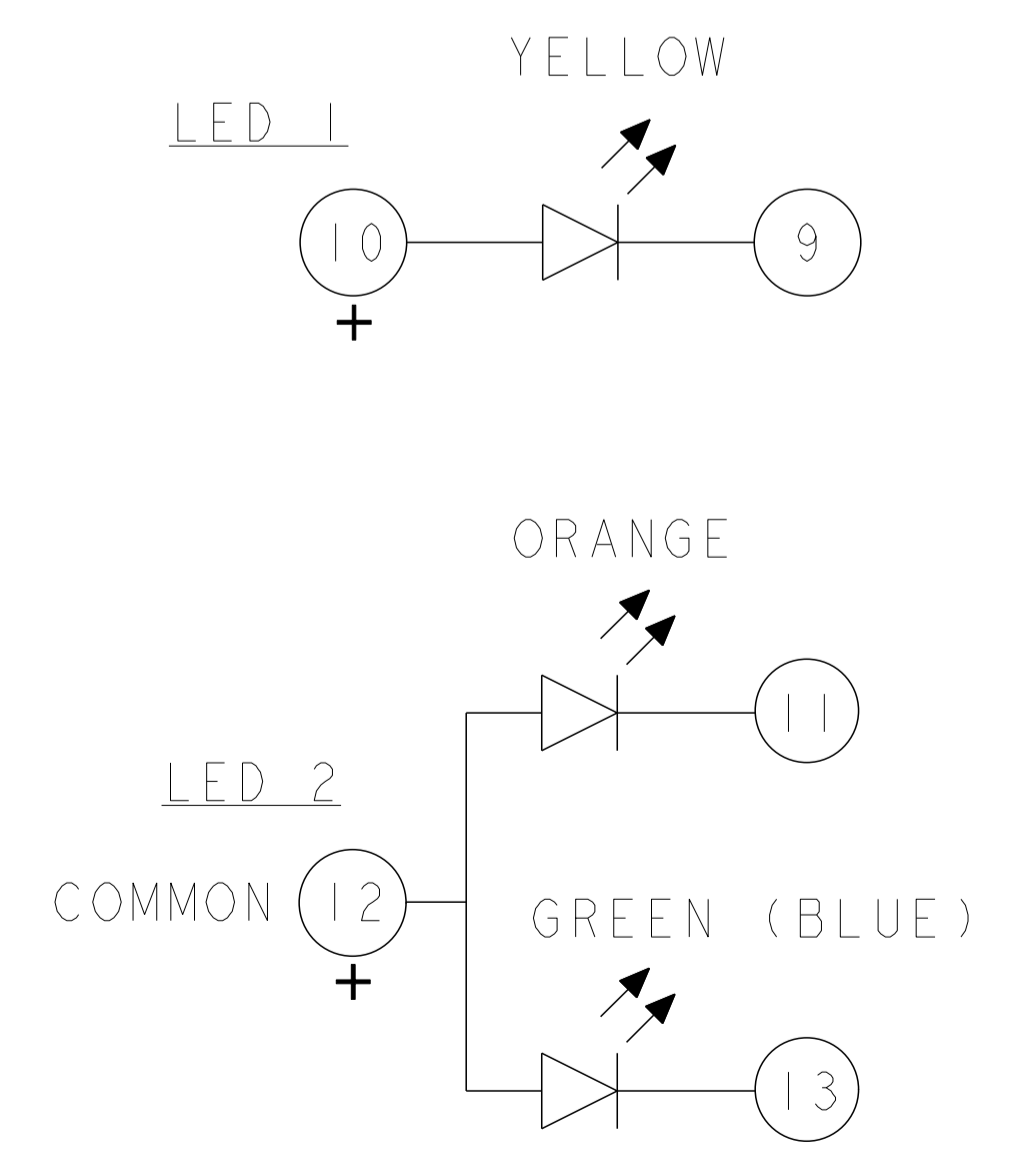
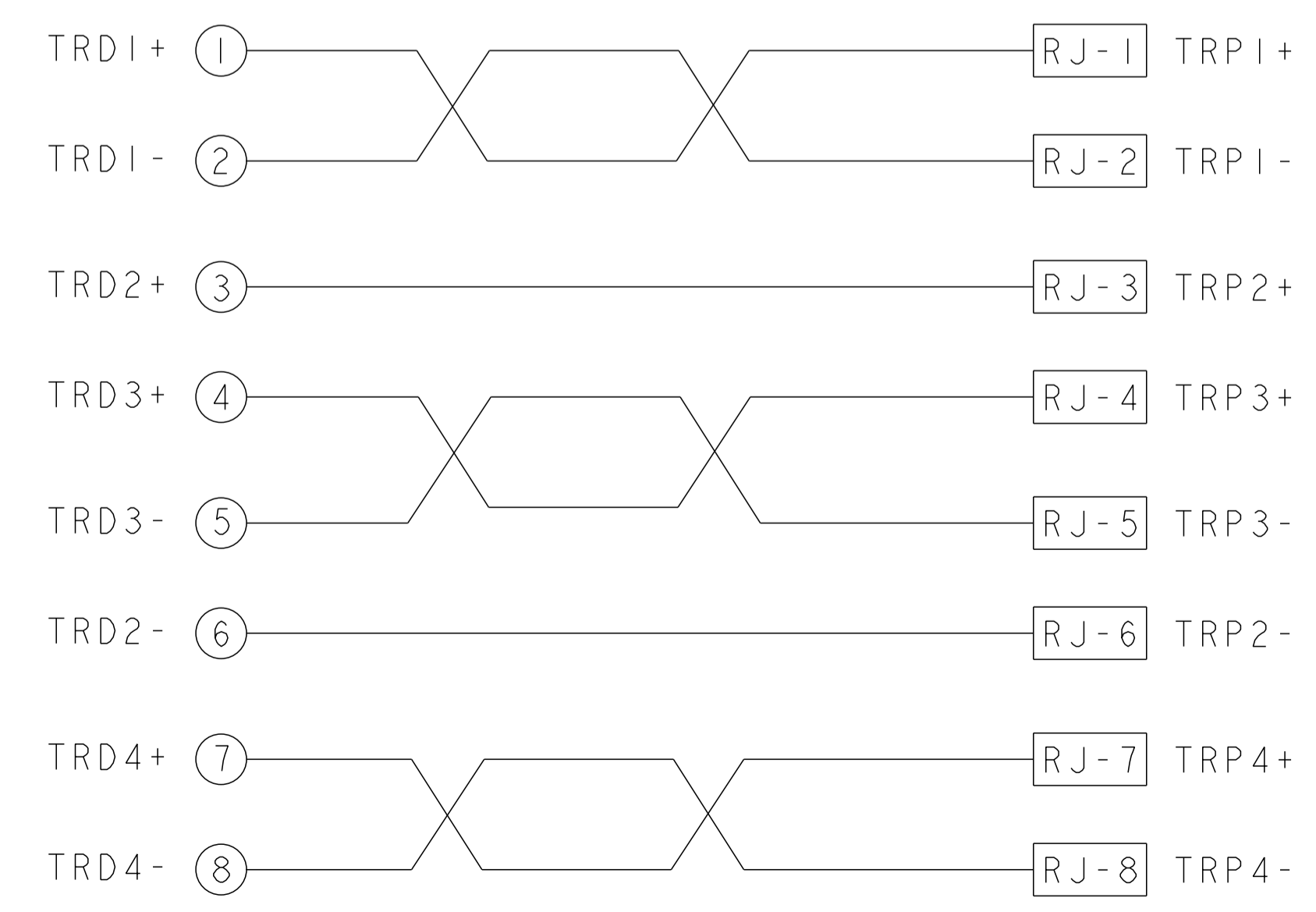
- △ LED 2 WILL EMULATE "YELLOW" LIGHT WHEN BOTH GREEN AND ORANGE DIODES ARE DRIVEN AT CONSTANT CURRENT (20 mA RECOMMENDED) TO INDICATE THE THIRD COLOR STATES.
- △ ALL DIMENSIONS NOMINAL UNLESS OTHERWISE NOTED.

- △ TYCO ELECTRONICS LOGO, TRADEMARK, PART NUMBER, DATE CODE, COUNTRY OF ORIGIN, AND AGENCY APPROVAL MARKING IN APPROXIMATE LOCATION SHOWN
- 7 1840441-1 SHOWN UNLESS OTHERWISE NOTED
- 8 THESE PARTS ARE RECOMMENDED FOR WAVE SOLDERING PROCESS, PEAK WAVE SOLDERING TEMPERATURE: 260°C
- 9 THESE PARTS ARE DESIGNED FOR CATEGORY 6A APPLICATIONS
- 10 DIELECTRIC WITHSTANDING VOLTAGE (CONTACT TO SHIELD): 1500V DC
- △ LIGHTS PIPES ARE USED TO TRANSMIT LIGHT OF SMD LEDs MOUNTED ON CUSTOMER BOARD.



THIS PRINT IS
PRELIMINARY
 UNQUALIFIED PRODUCT
 CONTACT PRODUCT ENGINEERING
 BEFORE USING THIS PRINT

THROUGH CIRCUIT

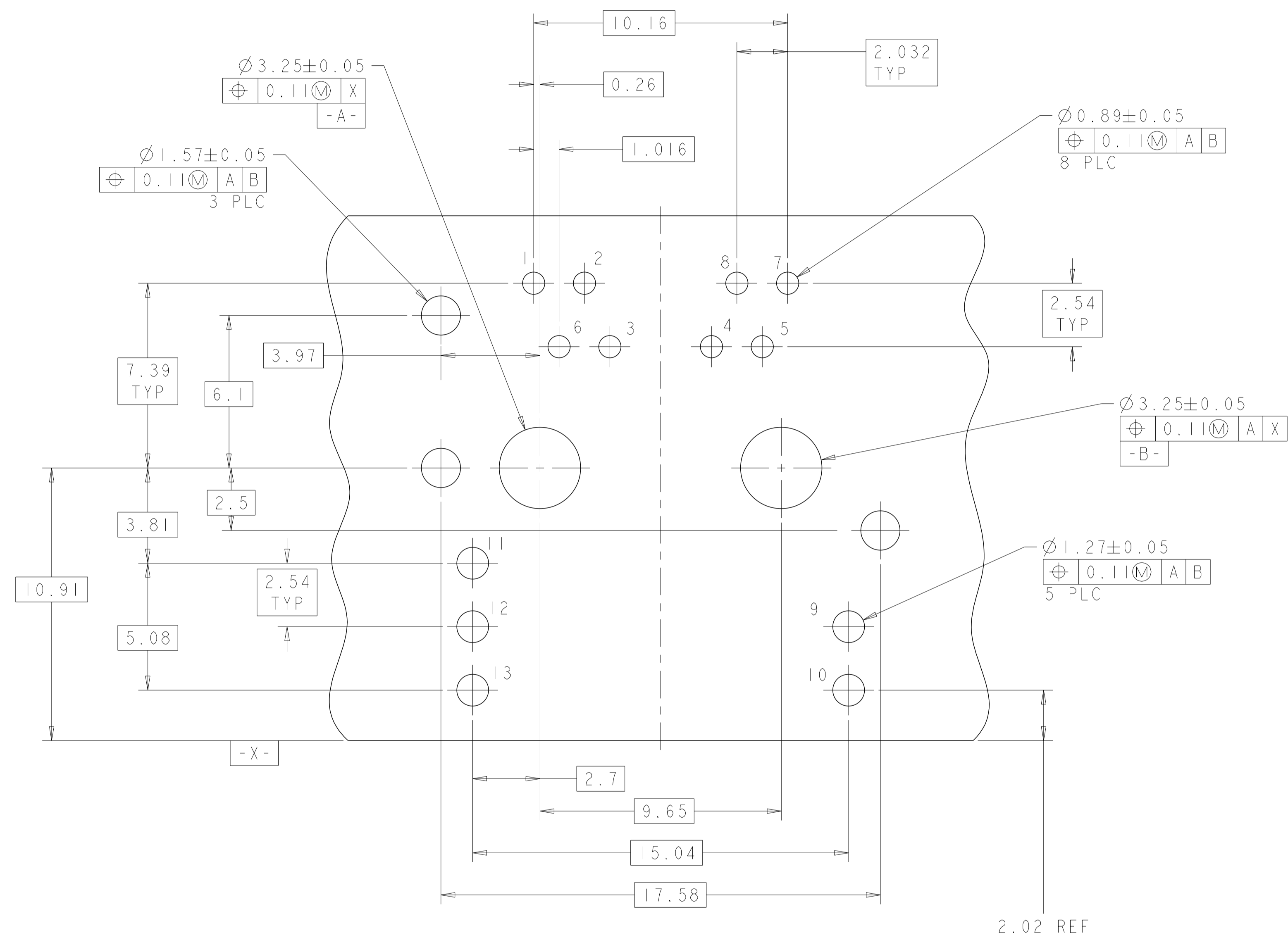


PROPOSAL	GREEN	GREEN/YELLOW	1840441-5
PROPOSAL	--	--	1840441-4
	GREEN	GREEN/ORANGE	1840441-3
	YELLOW	BLUE/ORANGE	1840441-2
	YELLOW	GREEN/ORANGE	1840441-1
	LED1	LED2	PART NUMBER

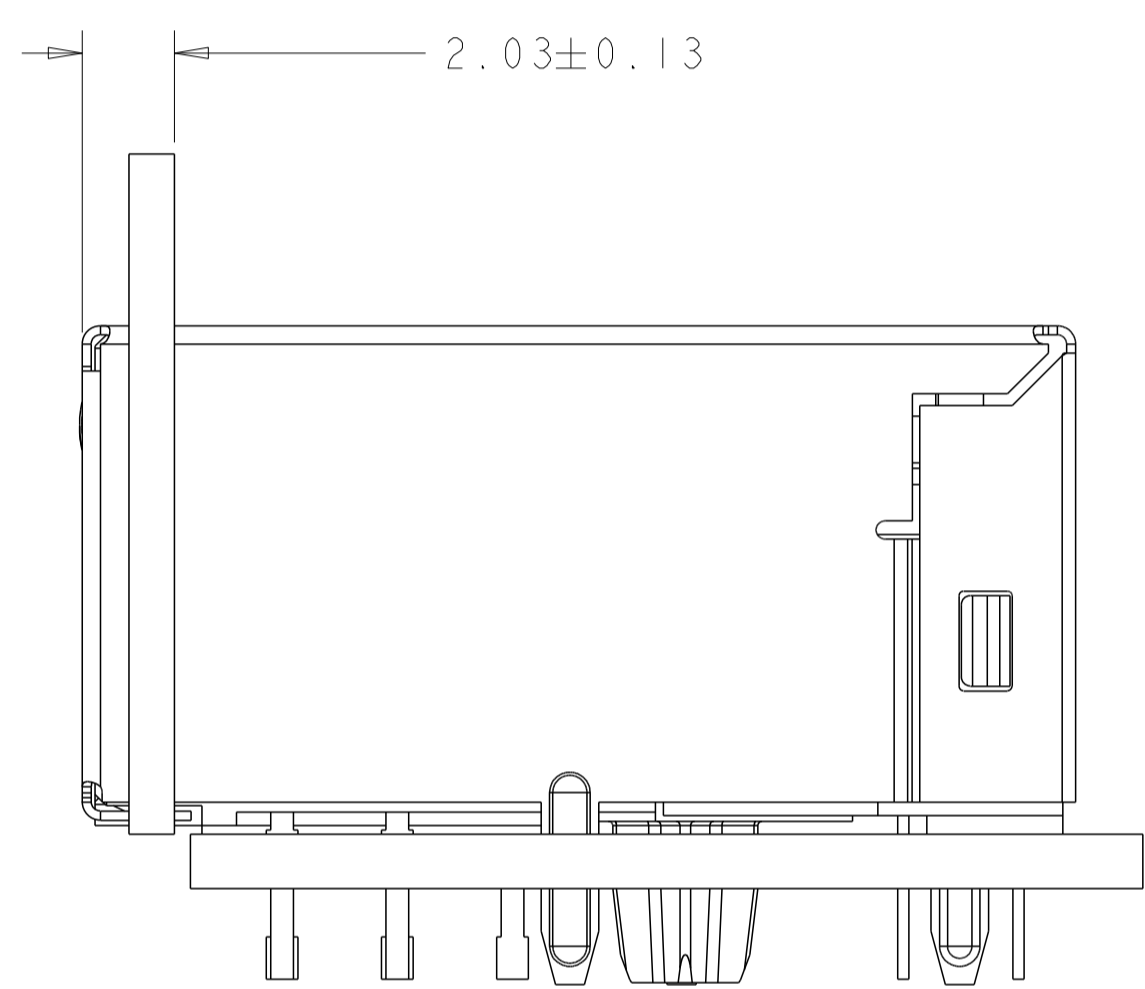
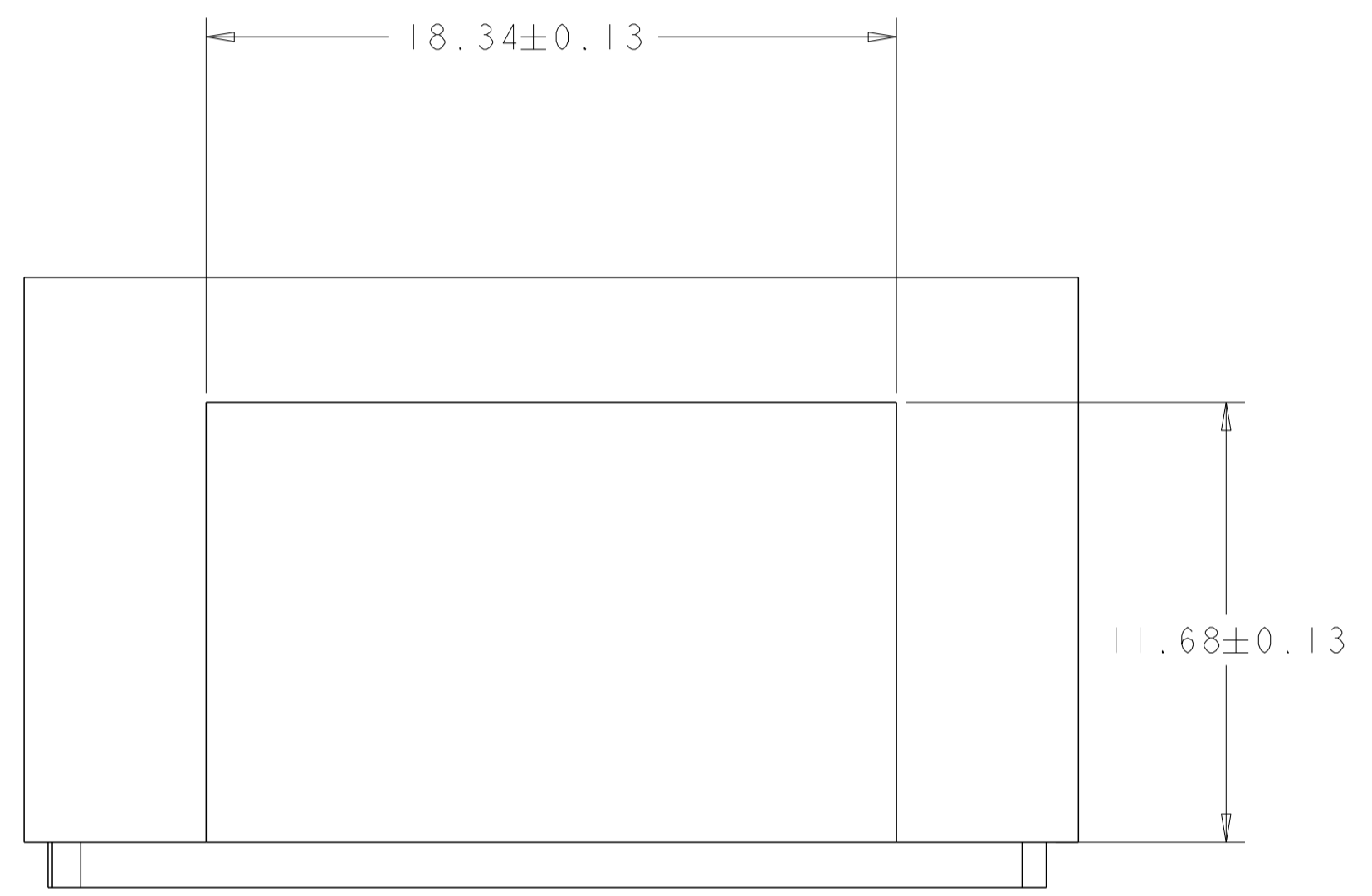
DIMENSIONS:		TOLERANCES UNLESS OTHERWISE SPECIFIED:		APVD		NAME		RESTRICTED TO	
mm		0 PLC	±	07AUG07	TOWER YU	SIZE	CAGE CODE	DRAWING NO	
		1 PLC	±0.25	00CT07	DENNIS CHEN	A1	00779	C=1840441	
		2 PLC	±0.25	10CT07	APVD	CUSTOMER DRAWING		SCALE	SHEET
		3 PLC	±		EDDY XIONG			NTS	1 OF 3
		4 PLC	±		PRODUCT SPEC				REV
		ANGLES	±		APPLICATION SPEC				11
		FINISH	±		114-				
					WEIGHT				

Tyco Electronics
 Changping China
 1X1 RJ45 JACK
 10 GIG SERIES
 SHIELDED, LEDS

LOC	DIST	REVISIONS			
P	LTR	DESCRIPTION	DATE	DWN	APVD
-	-	SEE SHEET 1	-	-	-



SUGGESTED PCB LAYOUT
 COMPONENT SIDE

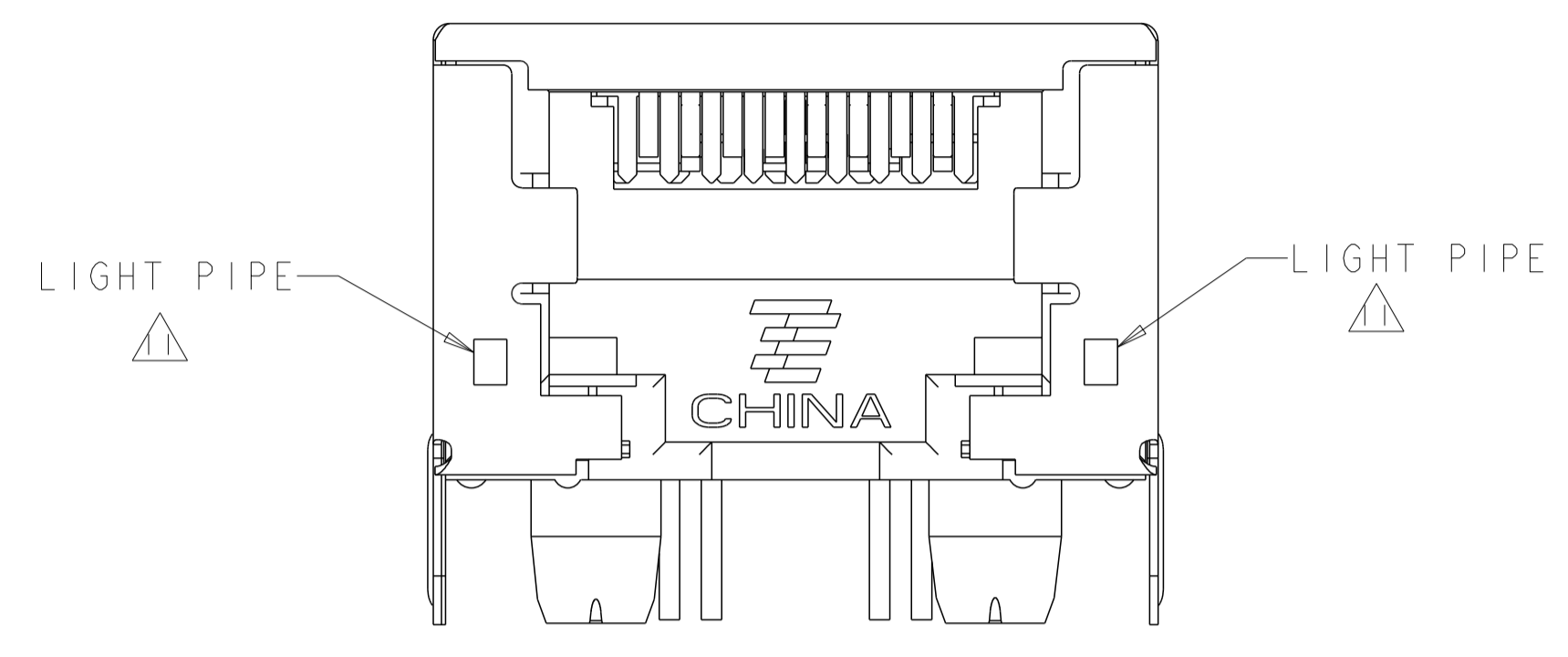


PANEL ASSEMBLY VIEW

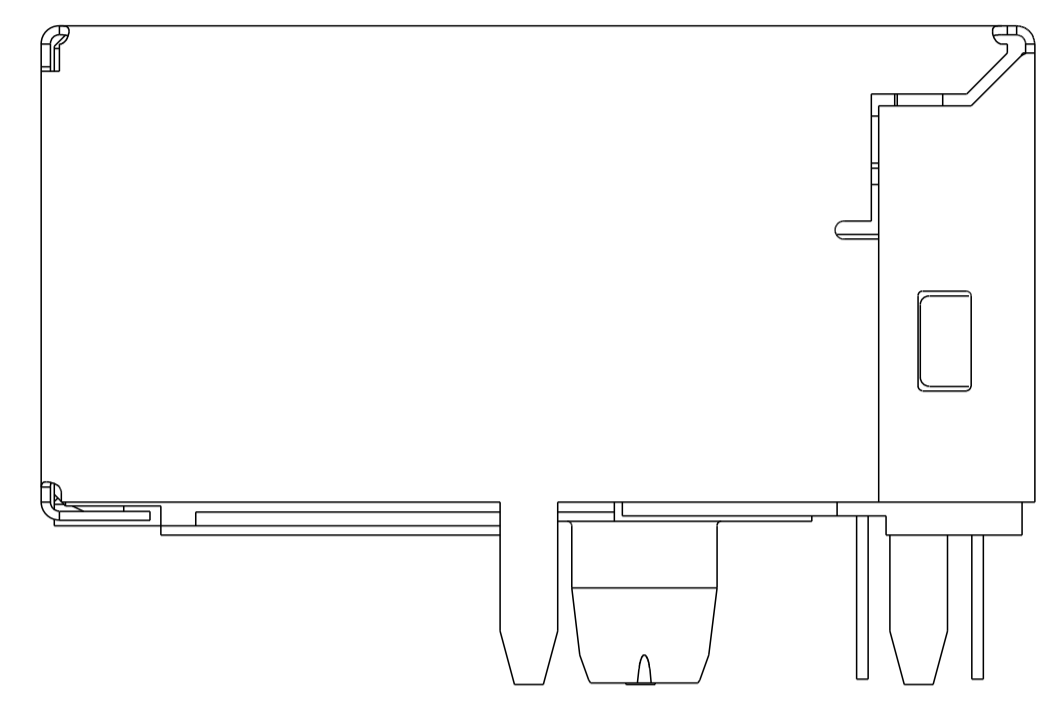
THIS PRINT IS
PRELIMINARY
 UNQUALIFIED PRODUCT
 CONTACT PRODUCT ENGINEERING
 BEFORE USING THIS PRINT

THIS DRAWING IS A CONTROLLED DOCUMENT FOR TYCO ELECTRONICS CORPORATION. IT IS SUBJECT TO CHANGE AND THE SUPPLIER'S ENGINEERING DEPARTMENT SHOULD BE CONTACTED FOR THE LATEST REVISION.		DWN TOWER YU 07AUG07	07AUG07	Tyco Electronics Changping China
DIMENSIONS: mm		CEN DENNIS CHEN 10OCT07	10OCT07	
TOLERANCES UNLESS OTHERWISE SPECIFIED: mm		APVD TEDDY XIONG 10OCT07	10OCT07	NAME 1X1 RJ45 JACK 10 GIG SERIES SHIELDED, LEDS
0 PLC ±0.25 1 PLC ±0.25 2 PLC ±0.25 3 PLC ±0.25 4 PLC ±0.25 ANGLES ±0.25		PRODUCT SPEC	APPLICATION SPEC	SIZE A
MATERIAL	FINISH	114-	WEIGHT	SCALE NTS
CUSTOMER DRAWING		00779	C=1840441	RESTRICTED TO -
		SHEET 2 OF 3		REV 11

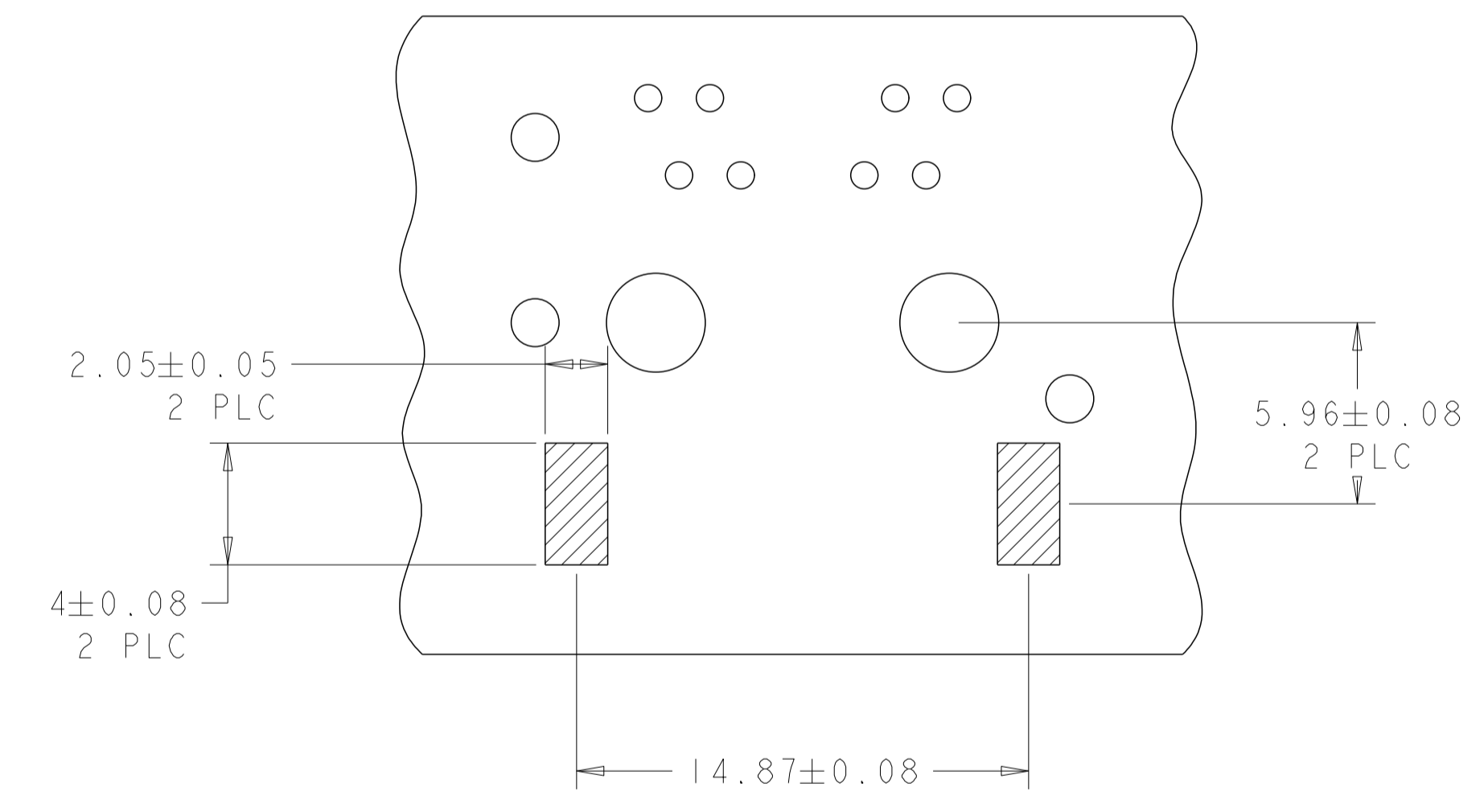
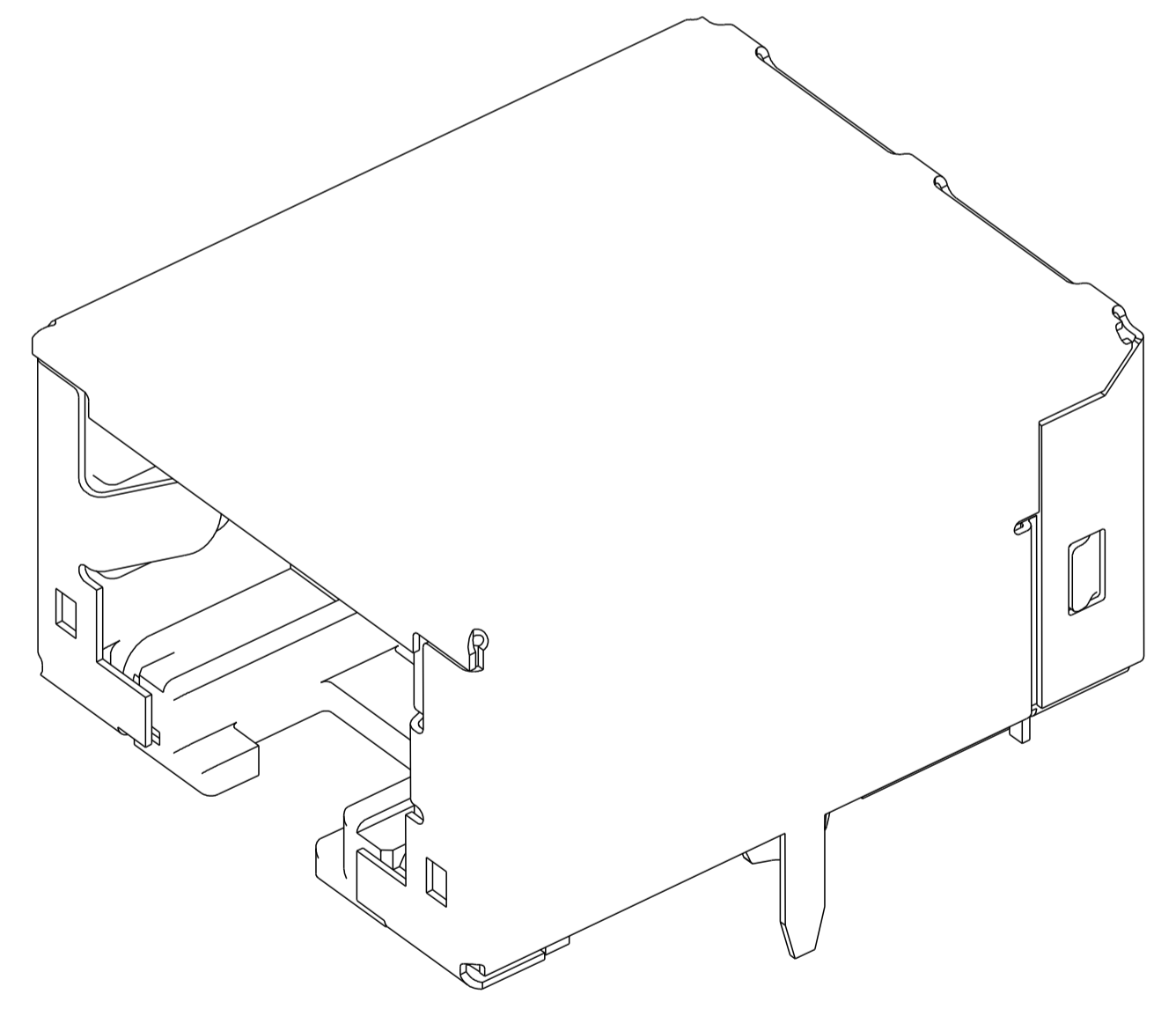
LOC	DIST	REVISIONS			
P	LTR	DESCRIPTION	DATE	DWN	APVD
AA	00	SEE SHEET 1			



SCALE 6:1



THIS PRINT IS
PRELIMINARY
 UNQUALIFIED PRODUCT
 CONTACT PRODUCT ENGINEERING
 BEFORE USING THIS PRINT



SUGGESTED PCB LAYOUT

1840441-4 AS SHOWN
 OTHER DIMENSIONS ARE SAME AS 1840441-1

<small>THIS DRAWING IS A CONTROLLED DOCUMENT FOR TYCO ELECTRONICS CORPORATION. IT IS SUBJECT TO CHANGE AND THE CONSTRUCTION ENGINEERING DEPARTMENT SHOULD BE CONTACTED FOR THE LATEST REVISION.</small>		DWN TOWER YU 07AUG07 CEN DENNIS CHEN 10OCT07 APVD TEDDY XIONG 10OCT07	Tyco Electronics Changping China
DIMENSIONS: mm 	TOLERANCES UNLESS OTHERWISE SPECIFIED: 0 PLC ± 1 PLC ±0.25 2 PLC ±0.25 3 PLC ± 4 PLC ± ANGLES ±	NAME 1X1 RJ45 JACK PRODUCT SPEC 10 GIG SERIES APPLICATION SPEC SHIELDED, LEDS WEIGHT 114-	SIZE CAGE CODE DRAWING NO A 00779 C=1840441
MATERIAL	FINISH	CUSTOMER DRAWING	RESTRICTED TO SCALE NTS SHEET 3 OF 3 REV 11