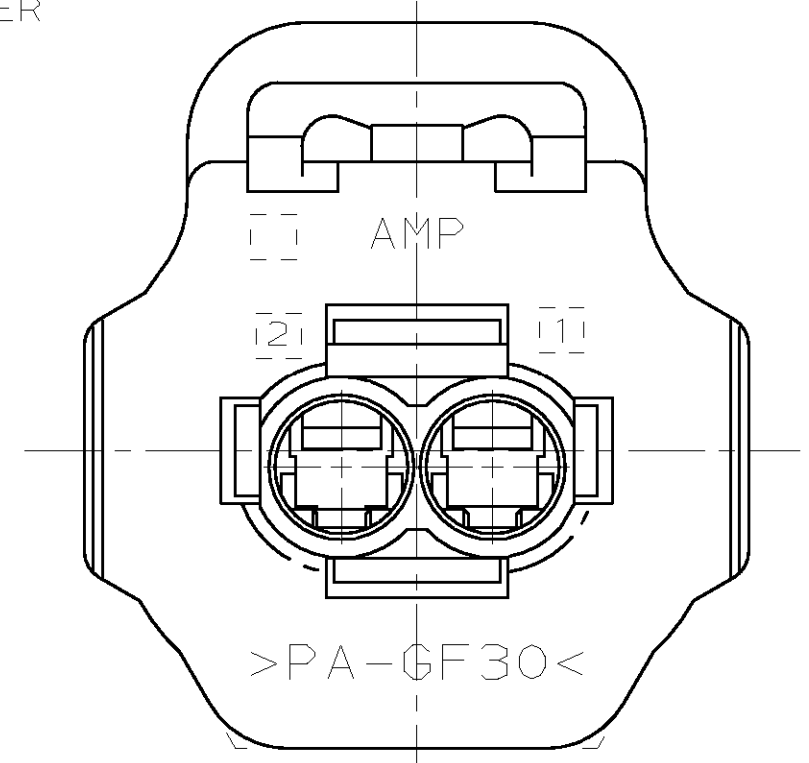
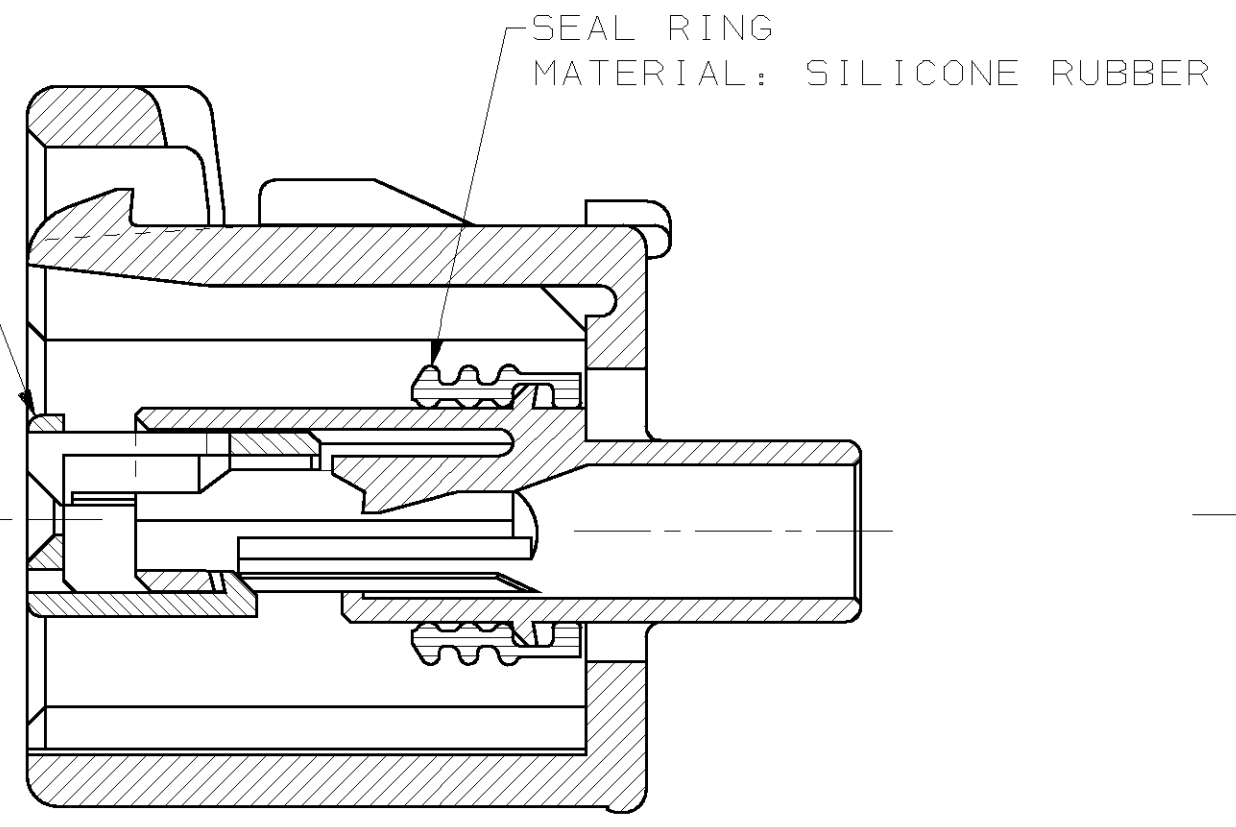
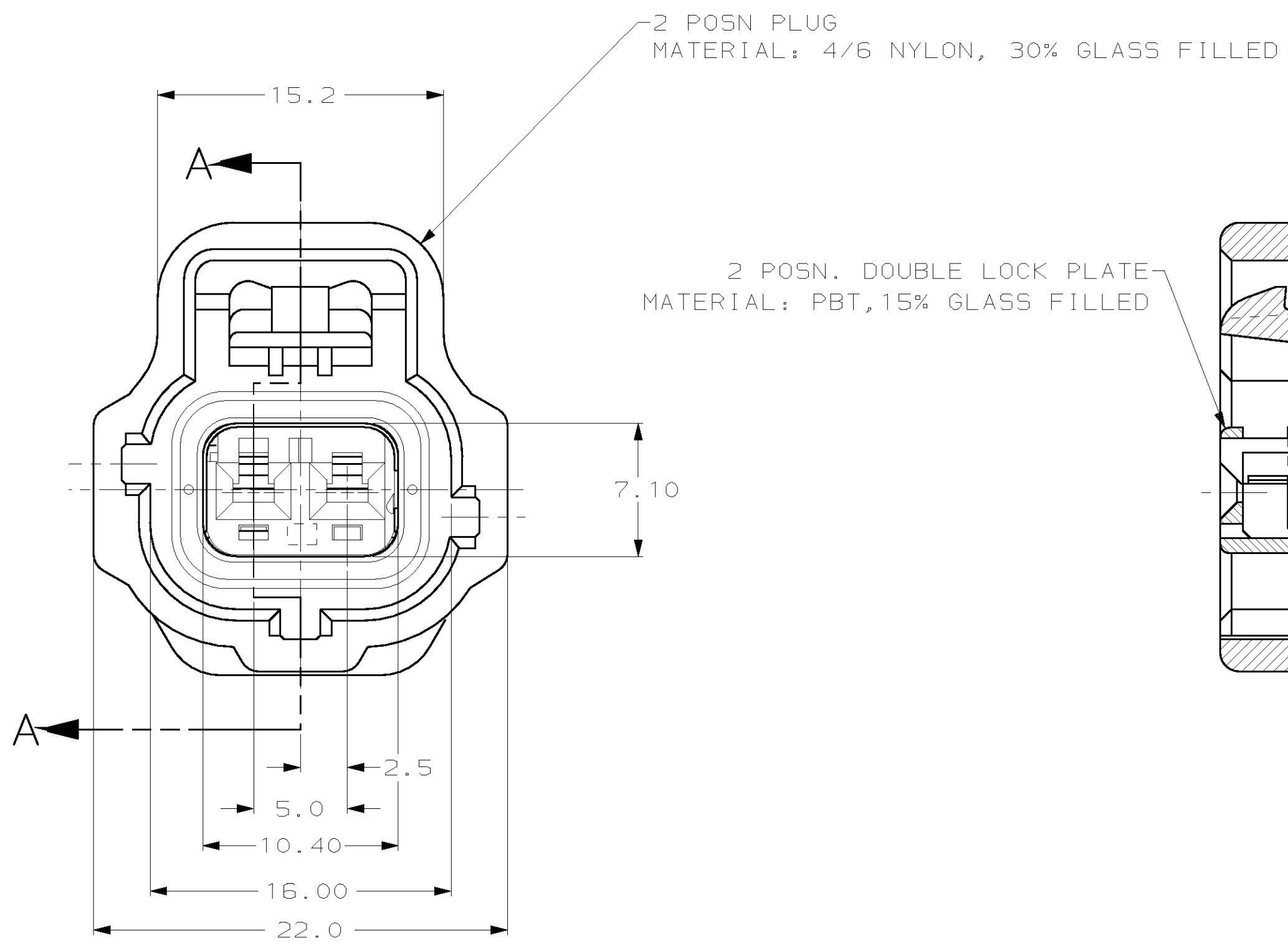
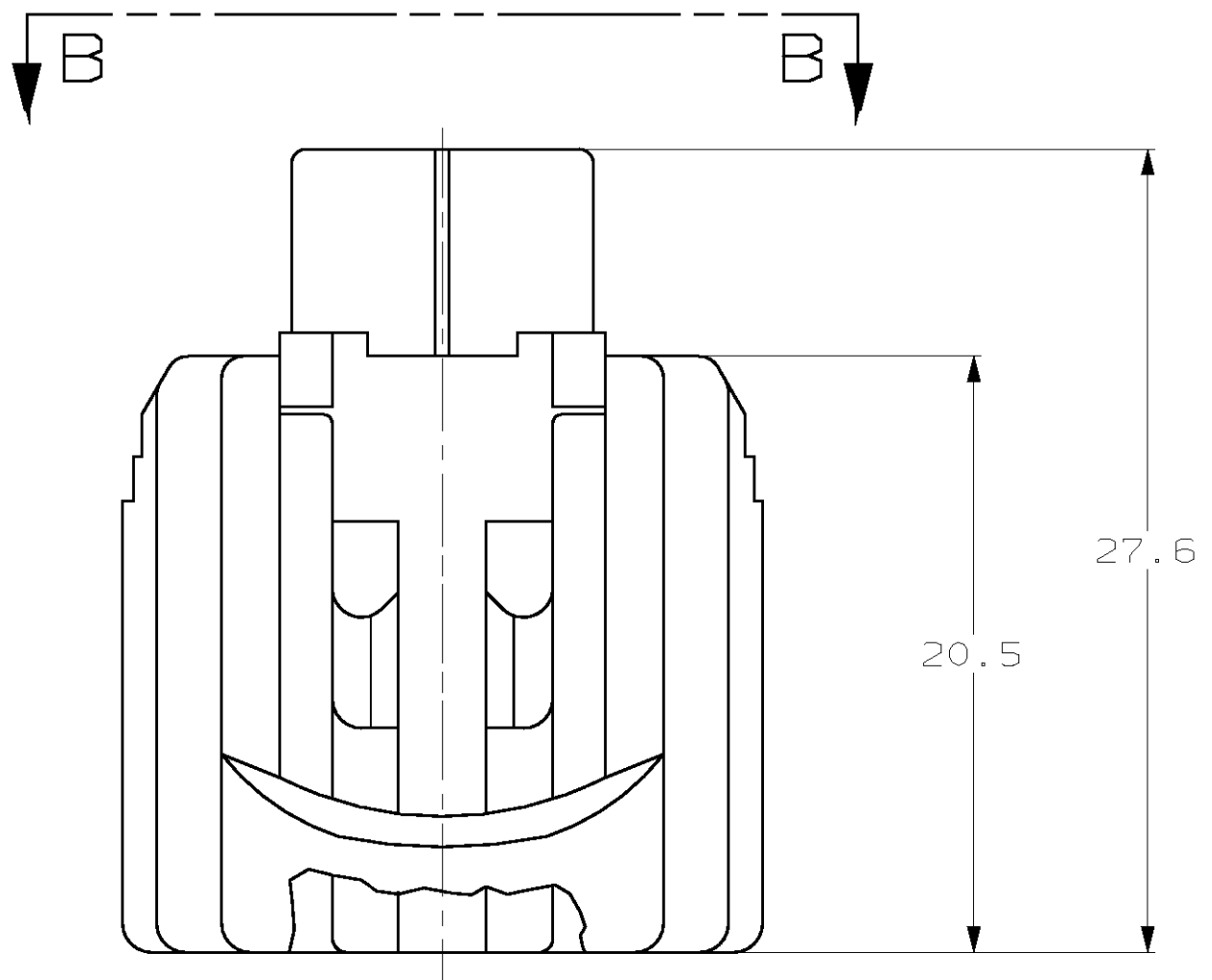


THIS DRAWING IS UNPUBLISHED. RELEASED FOR PUBLICATION .19
 © COPYRIGHT 19 BY AMP INCORPORATED. ALL RIGHTS RESERVED.

LOC		DIST		REVISIONS			
P	LTR	DESCRIPTION	DATE	DWN	APVD		
G	16	0		RELEASED, WAS 95-4072-99-3	-	-	-
		A		REV PER ECN 0K50-0003-96	08/14/96	KW	JK
		B		REV PER EC# 0K40-0140-00	7-10-00	PC	GI



SECTION A-A

VIEW B-B

KEYING TYPE C

THIS DRAWING IS A CONTROLLED DOCUMENT FOR AMP INCORPORATED. IT IS SUBJECT TO CHANGE AND THE CONTROLLING ENGINEERING ORGANIZATION SHOULD BE CONTACTED FOR THE LATEST REVISION.

DIMENSIONS:	TOLERANCES UNLESS OTHERWISE SPECIFIED:	DWN	KD LYTLE	01/05/96
mm	0 PLC ±-	CHK	EJ OSWANDEL	01/11/96
	1 PLC ±0.30	APVD	EJ OSWANDEL	01/11/96
	2 PLC ±0.15	PRODUCT SPEC		
	3 PLC ±-	APPLICATION SPEC		
	4 PLC ±-	WEIGHT		
	ANGLES ±-	CUSTOMER DRAWING		
	FINISH ±1°			

BLACK	184216-1
PLUG COLOR	PART NO
AMP	AMP Incorporated Harrisburg, PA 17105-3608
1 X 2 PLG ASY KEY C-C4	
SIZE	CAGE CODE
A2	00779
DRAWING NO	C=184216
SCALE	SHEET
4:1	1 OF 1
REV	B

184216

A