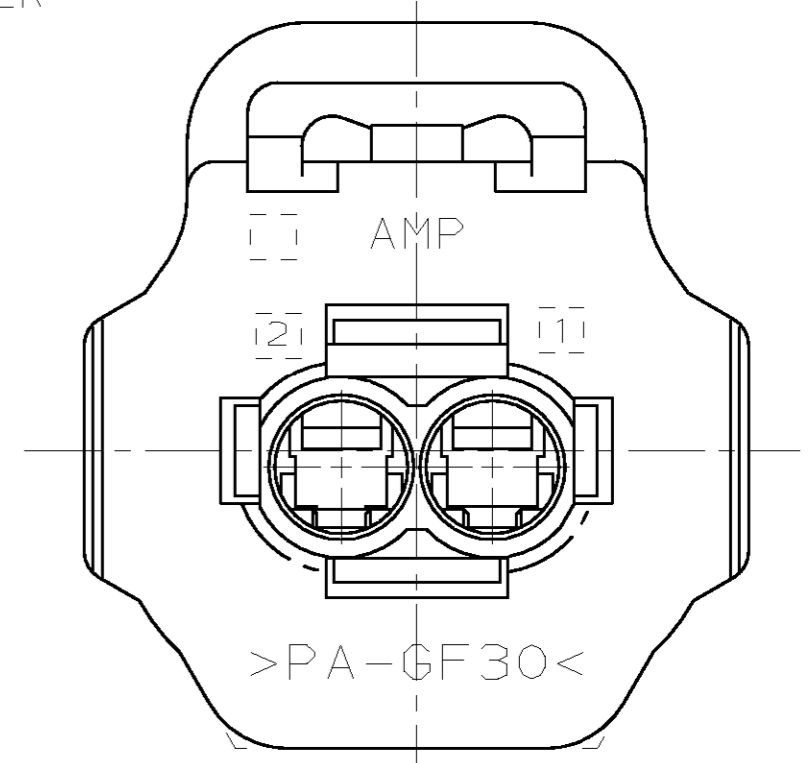
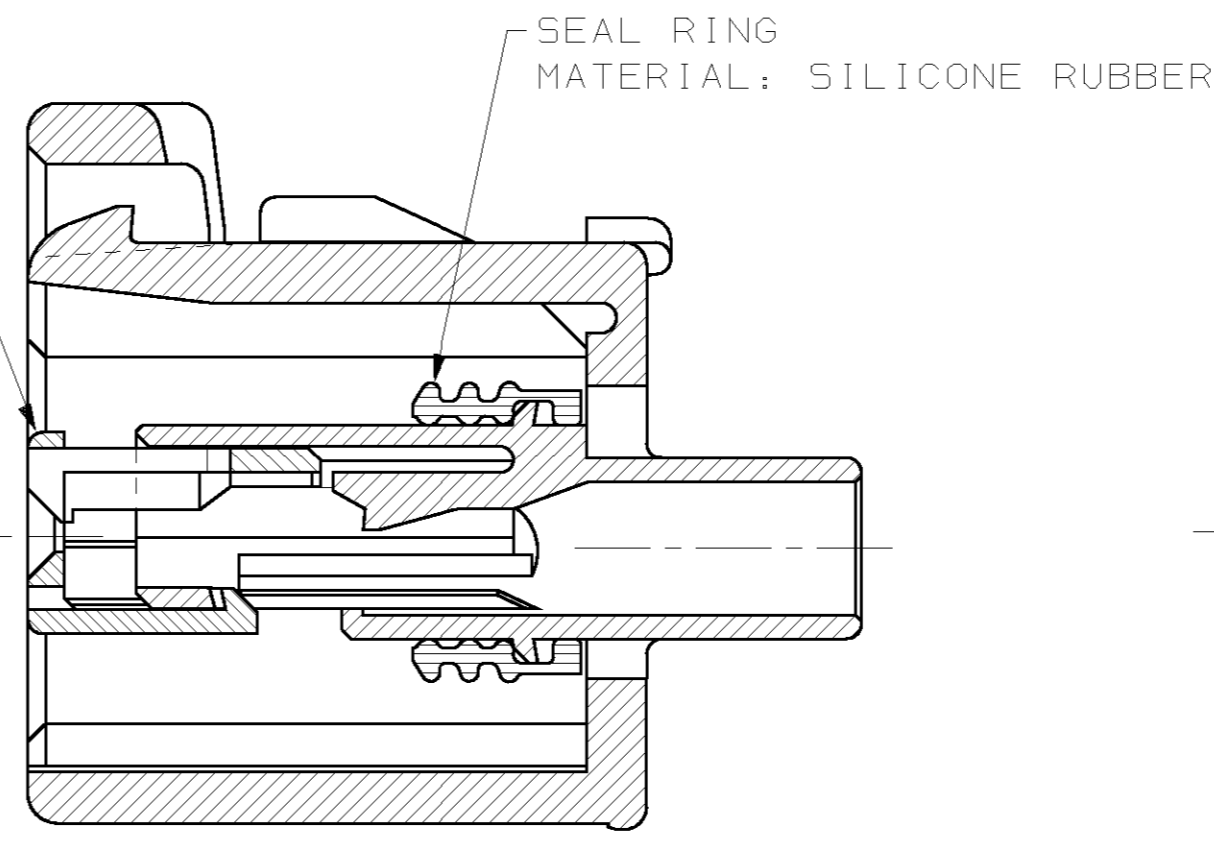
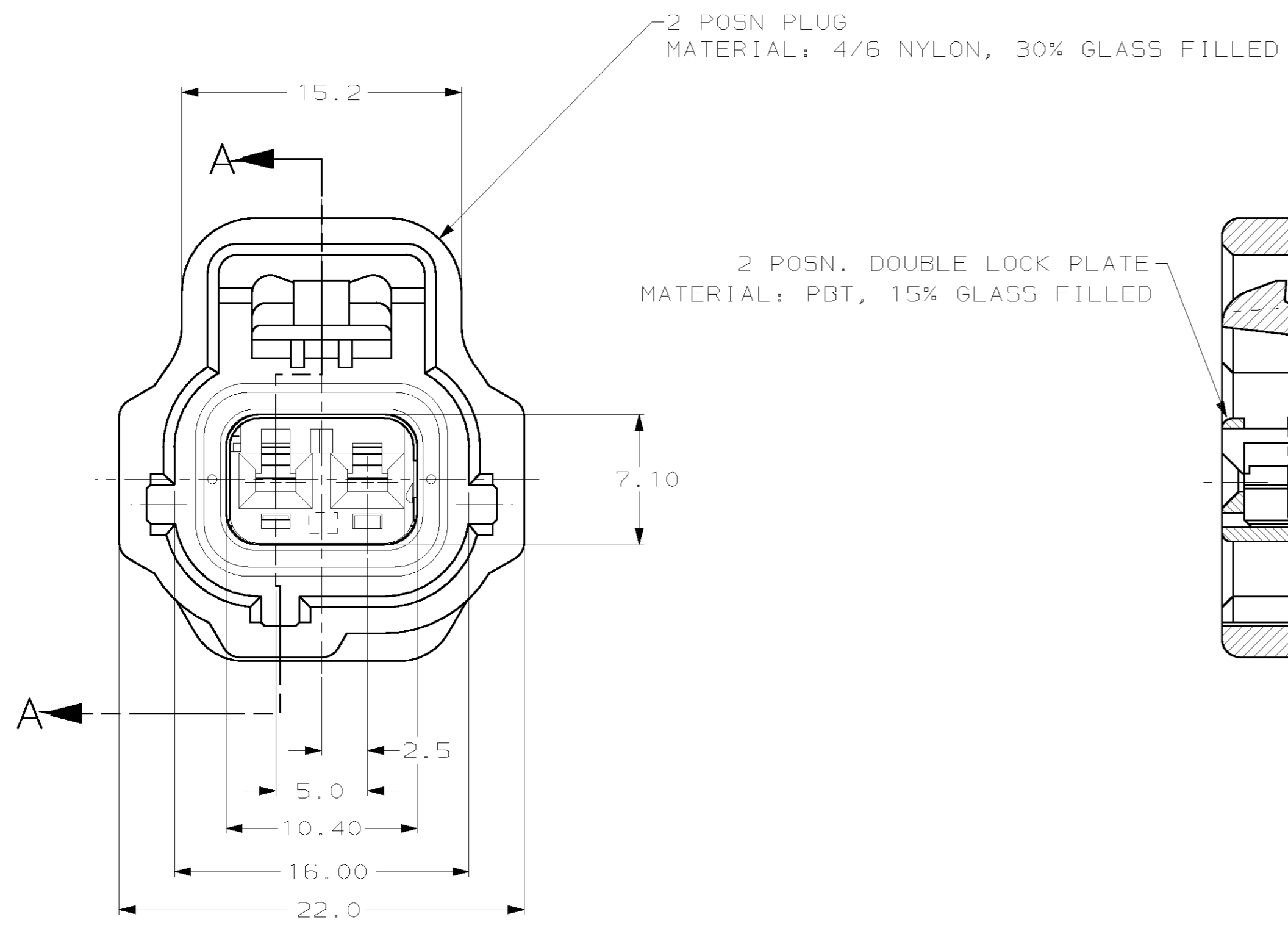
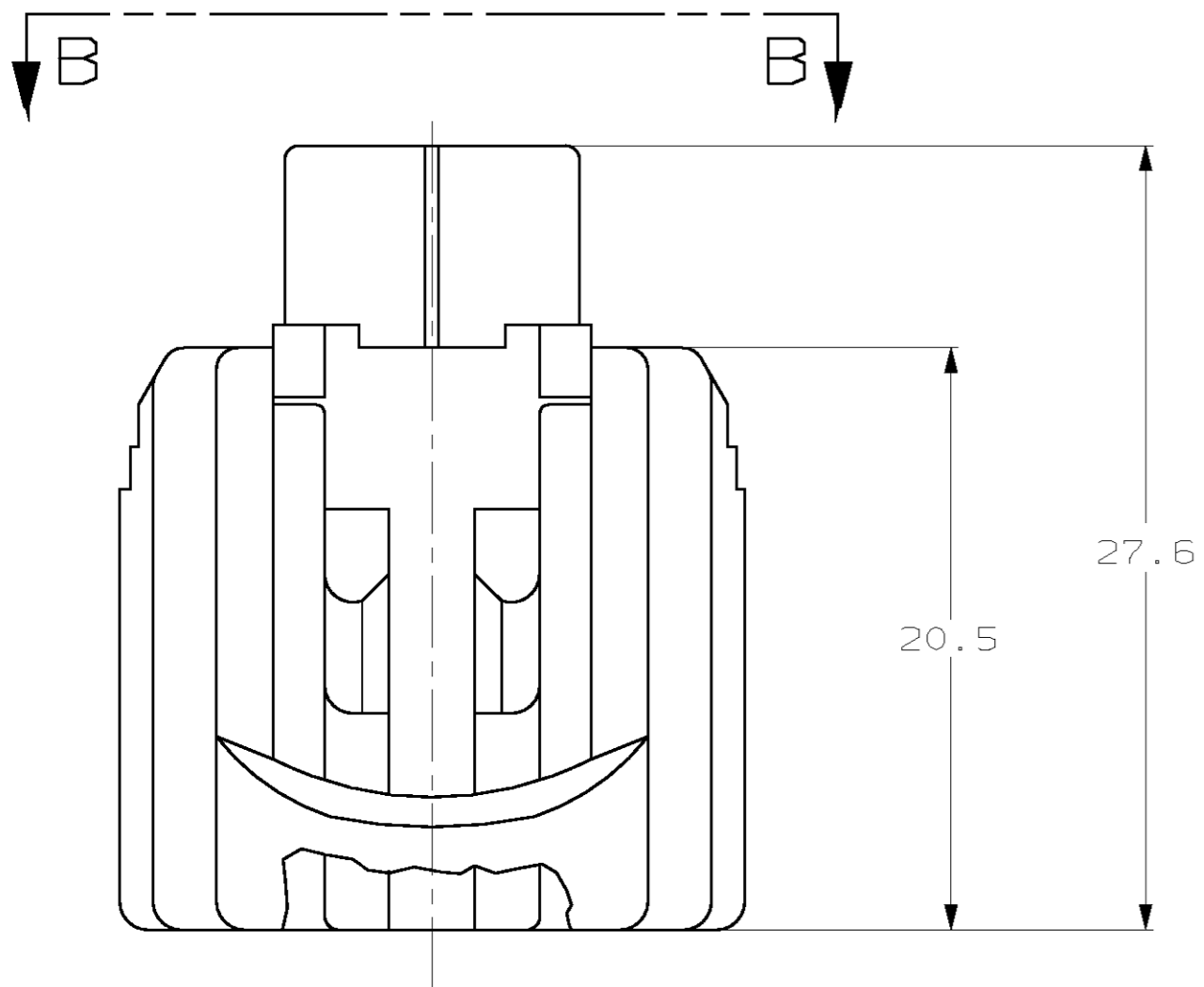


LOC		DIST		REVISIONS		
P	LTR	DESCRIPTION	DATE	DWN	APVD	
G	16	0	RELEASED, WAS 95-4072-99-11	-	-	
		A	REV PER ECN 0K50-0003-96	08/14/96	KW JK	
		B	REV PER EC# 0K40-0140-00	7-11-00	PC GI	



SECTION A-A

VIEW B-B

KEYING TYPE M

DIMENSIONS:		TOLERANCES UNLESS OTHERWISE SPECIFIED:	
mm		0 PLC	±
		1 PLC	±0.30
		2 PLC	±0.15
		3 PLC	±
		4 PLC	±
		ANGLES	±1°
MATERIAL	-	FINISH	-

DWN	KD LYTLE	01/05/96
CHK	EJ OSWANDEL	01/11/96
APVD	EJ OSWANDEL	01/11/96
PRODUCT SPEC	-	
APPLICATION SPEC	-	
WEIGHT	-	
CUSTOMER DRAWING		

BLACK	184232-1
PLUG COLOR	PART NO
<b>AMP</b> AMP Incorporated Harrisburg, PA 17105-3608	
1 X 2 PLG ASY KEY M-C4	
SIZE	CAGE CODE
A2	00779
DRAWING NO	C=184232
SCALE	SHEET
4:1	1 OF 1
REV	B

184232

B

A