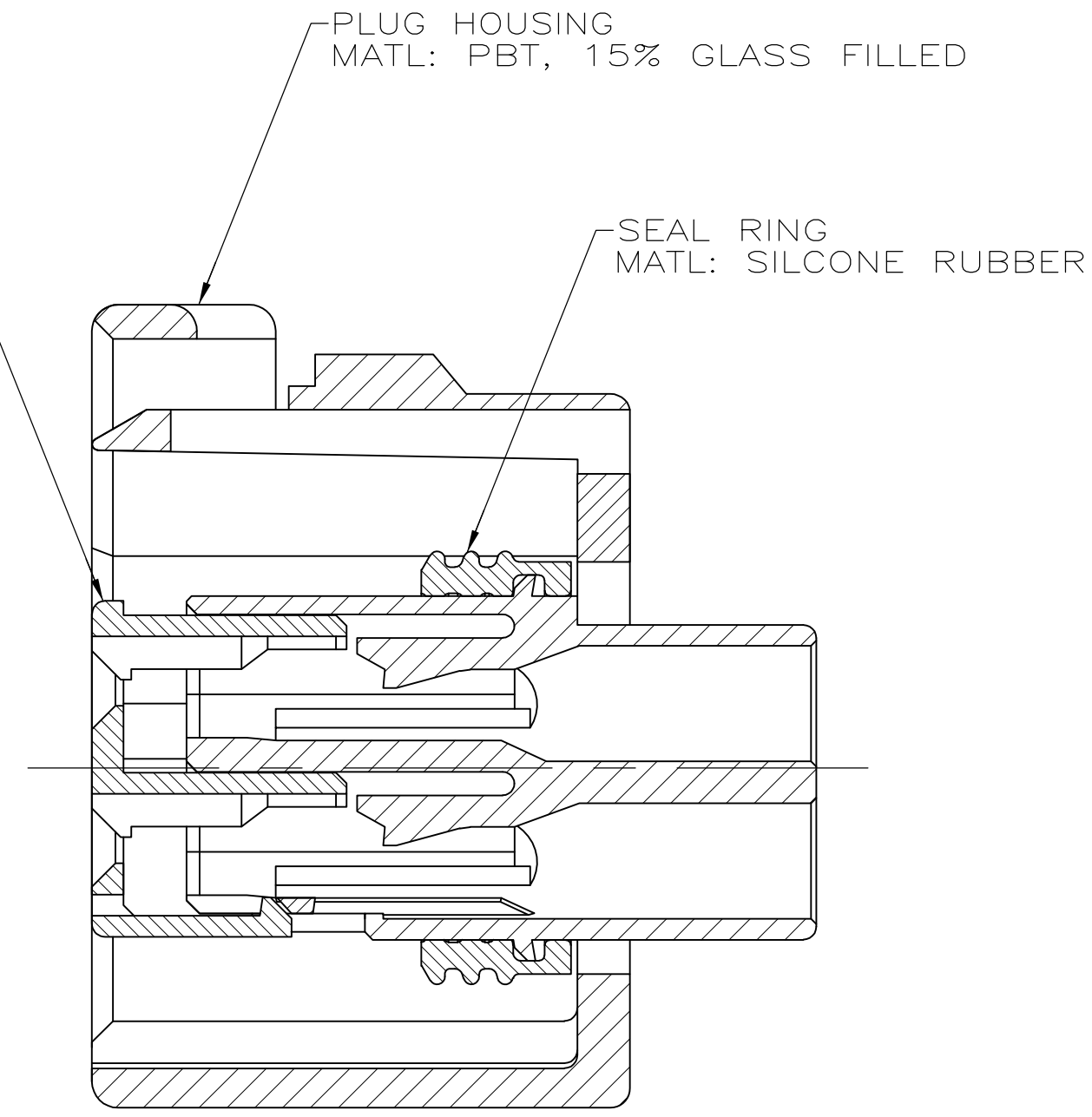
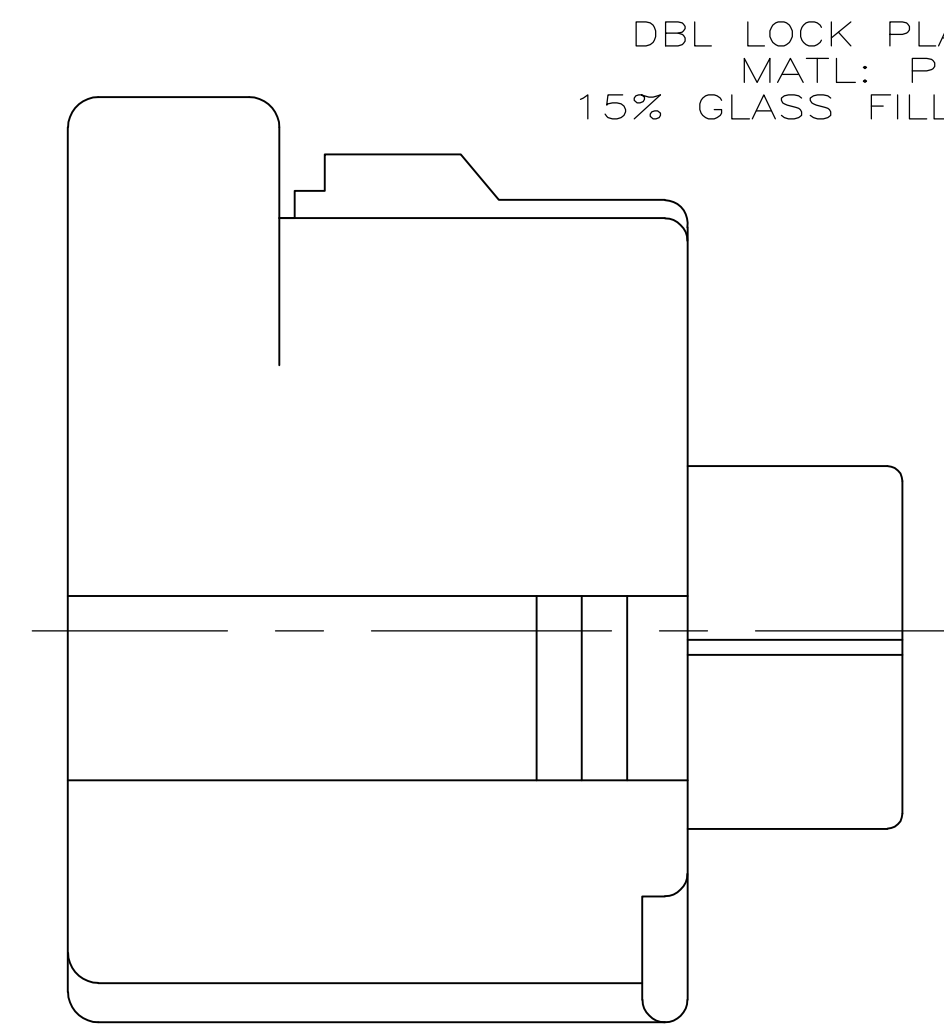
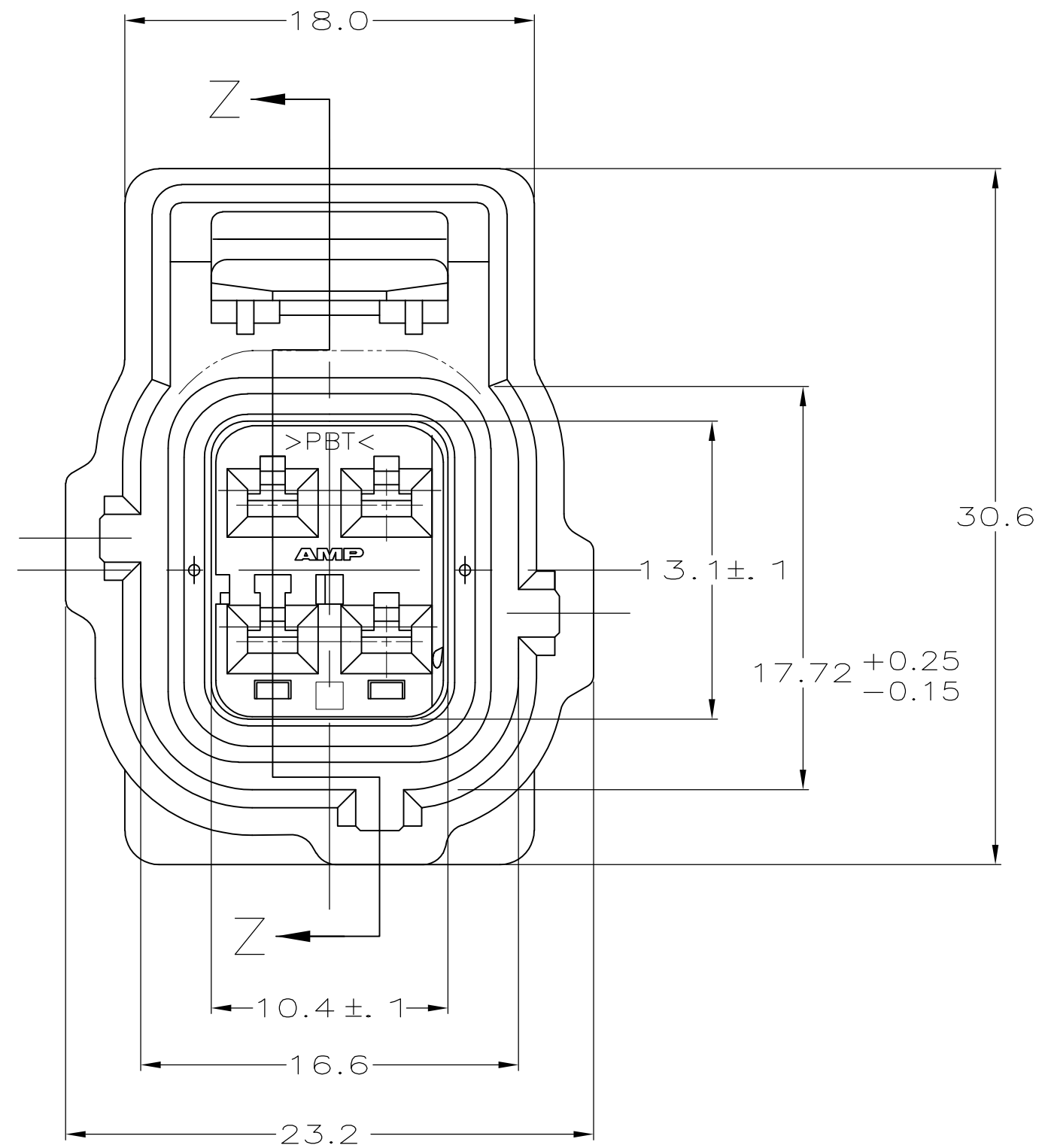
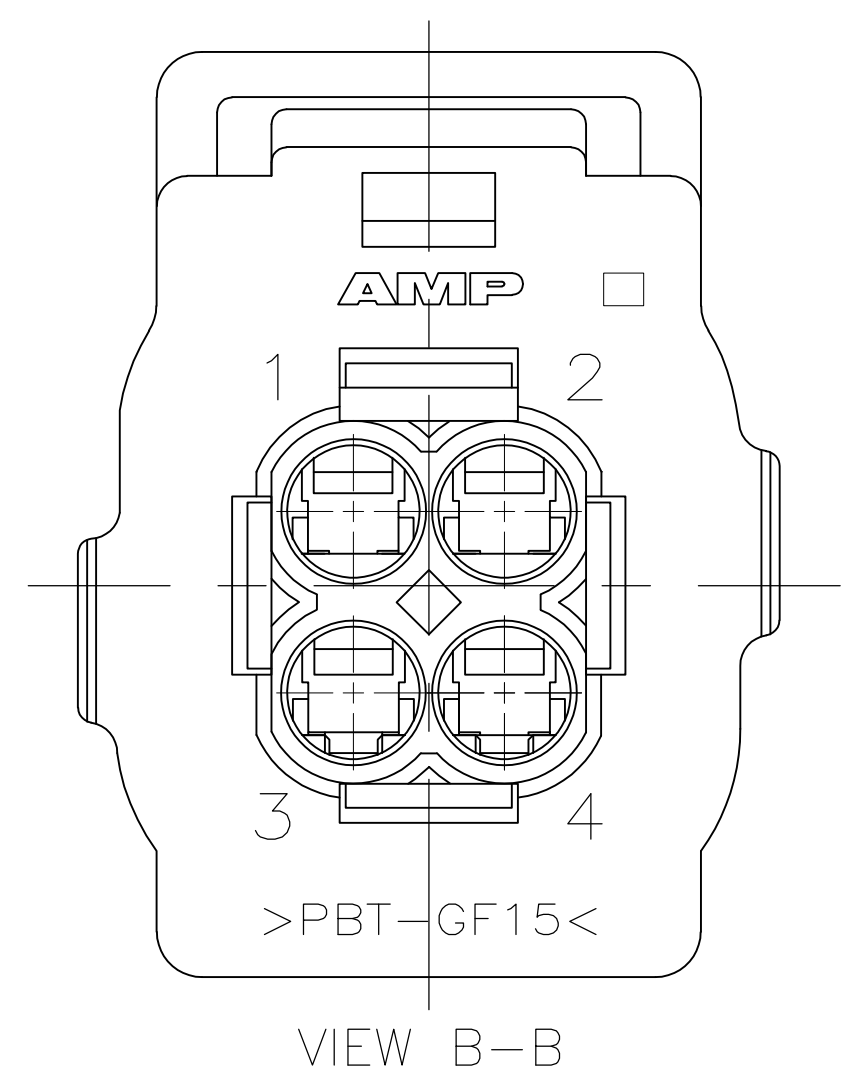
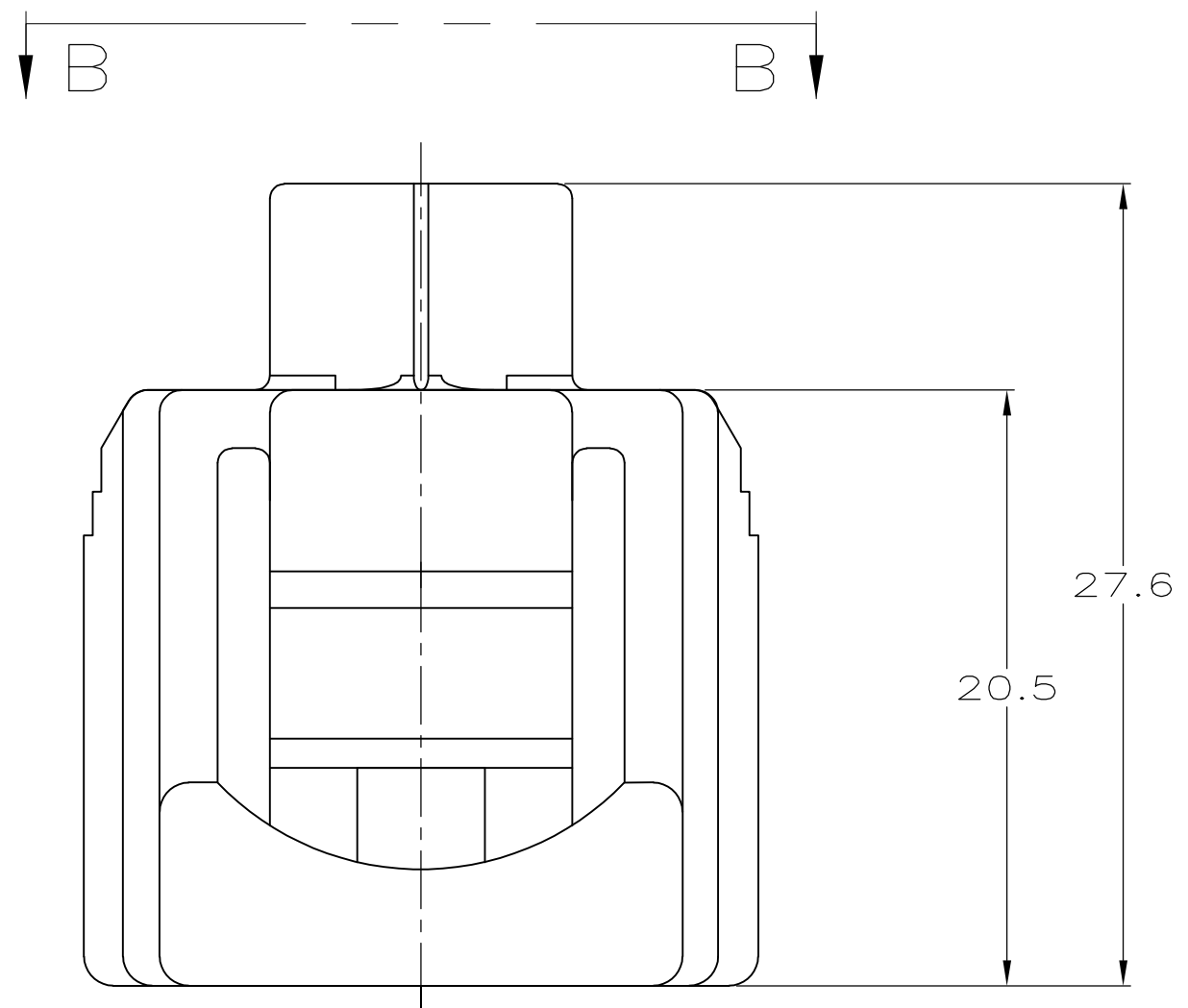


THIS DRAWING IS UNPUBLISHED. RELEASED FOR PUBLICATION  
 © COPYRIGHT BY TYCO ELECTRONICS CORPORATION. ALL INTERNATIONAL RIGHTS RESERVED.

| LOC | DIST | REVISIONS   |                           |           |       |
|-----|------|-------------|---------------------------|-----------|-------|
| P   | LTR  | DESCRIPTION | DATE                      | DWN       | APVD  |
| GE  | 19   | B           | REVISED PER ECO-09-008507 | 09APR2009 | DD MB |



SECTION Z-Z  
SCALE 4:1

|            |             |
|------------|-------------|
| GRAY       | 184400-2    |
| NATURAL    | 184400-1    |
| PLUG COLOR | PART NUMBER |

|  |  |                  |                        |            |   |
|--|--|------------------|------------------------|------------|---|
| THIS DRAWING IS A CONTROLLED DOCUMENT.   |  | DWN              | AJ GRAFF               | 01AUG01    | Tyco Electronics Corporation<br>Harrisburg, PA 17105-3608 |
| DIMENSIONS: mm   |  | CHK              | K COBLE                | 01AUG01    |   |
| TOLERANCES UNLESS OTHERWISE SPECIFIED:   |  | APVD             | K COBLE                | 01AUG01    |   |
| 0 PLC ± -<br>1 PLC ± 0.3<br>2 PLC ± 0.15<br>3 PLC ± -<br>4 PLC ± -<br>ANGLES ± -<br>FINISH - |  | PRODUCT SPEC     | NAME                   |            |   |
| MATERIAL   |  | APPLICATION SPEC | 2 X 2 PLG ASY KEY G-C3 |            | RESTRICTED TO   |
|  |  | WEIGHT           | -                      | SIZE       | A2  |
|  |  | CUSTOMER DRAWING | SCALE                  | 4:1        | SHEET   |
|  |  |                  |                        | CAGE CODE  | 00779   |
|  |  |                  |                        | DRAWING NO | C=184400  |
|  |  |                  |                        | REV        | B   |