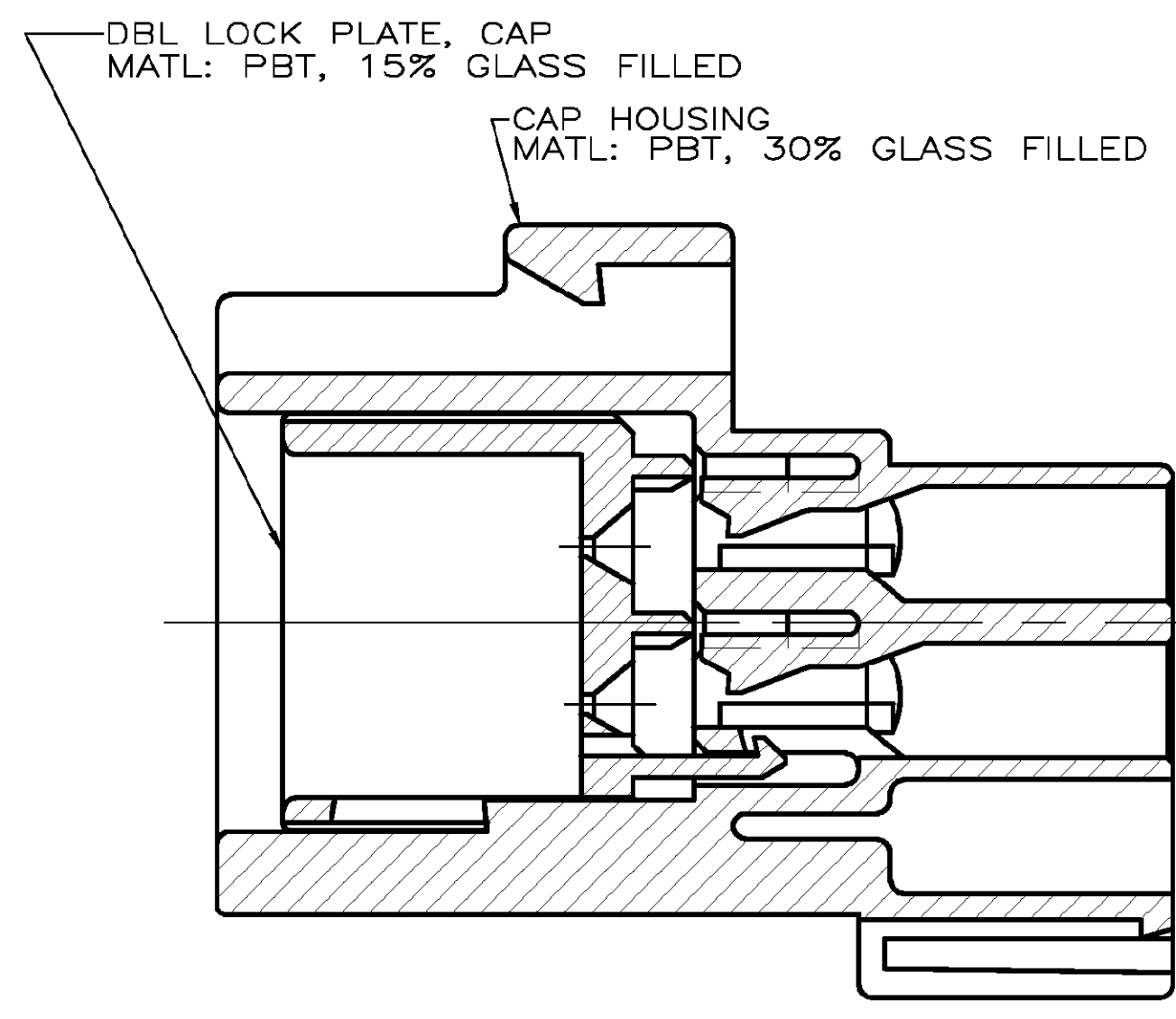
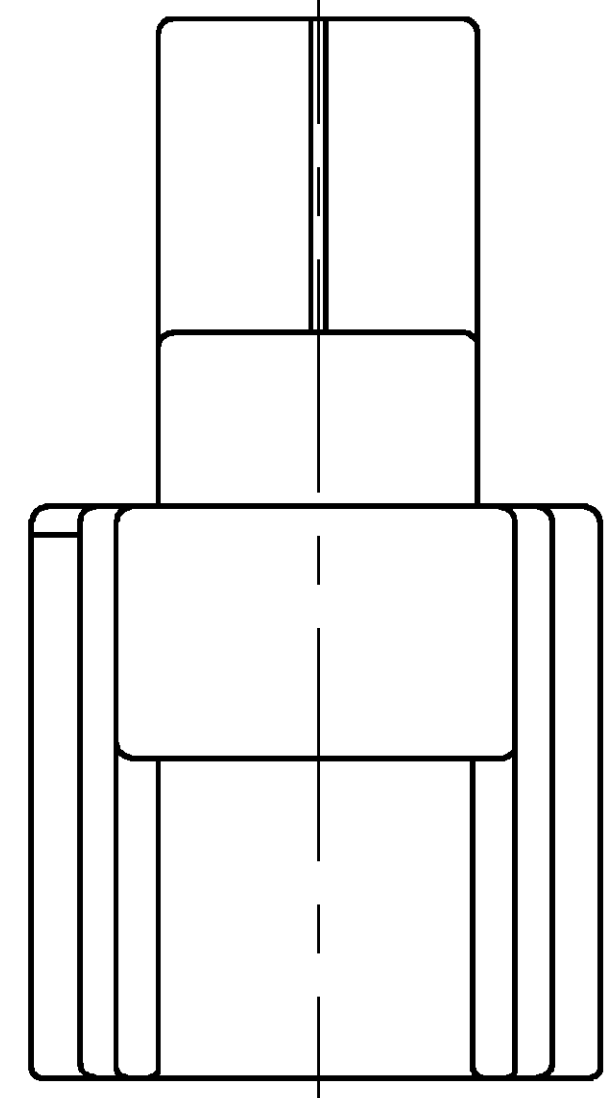
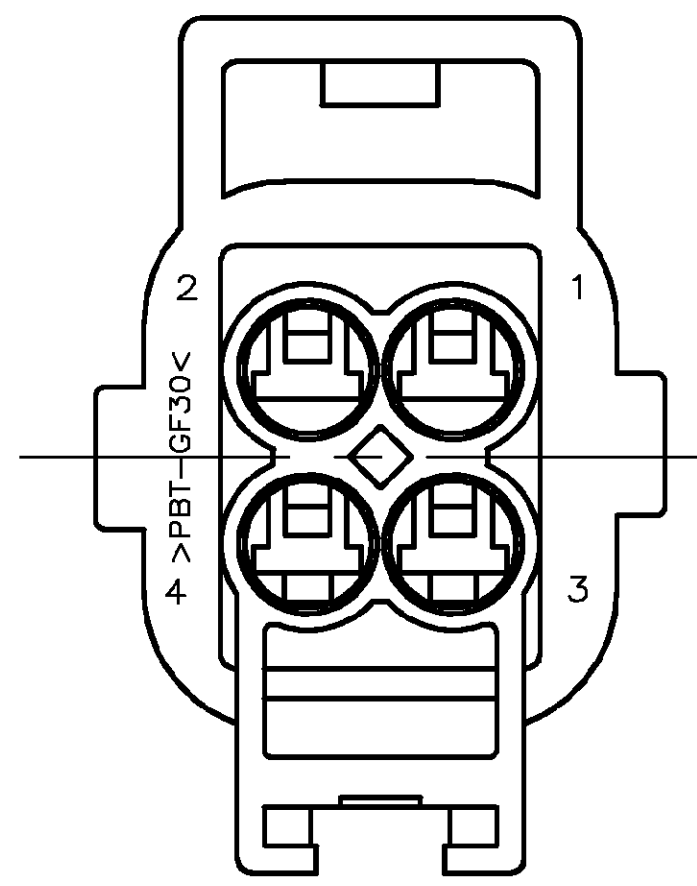
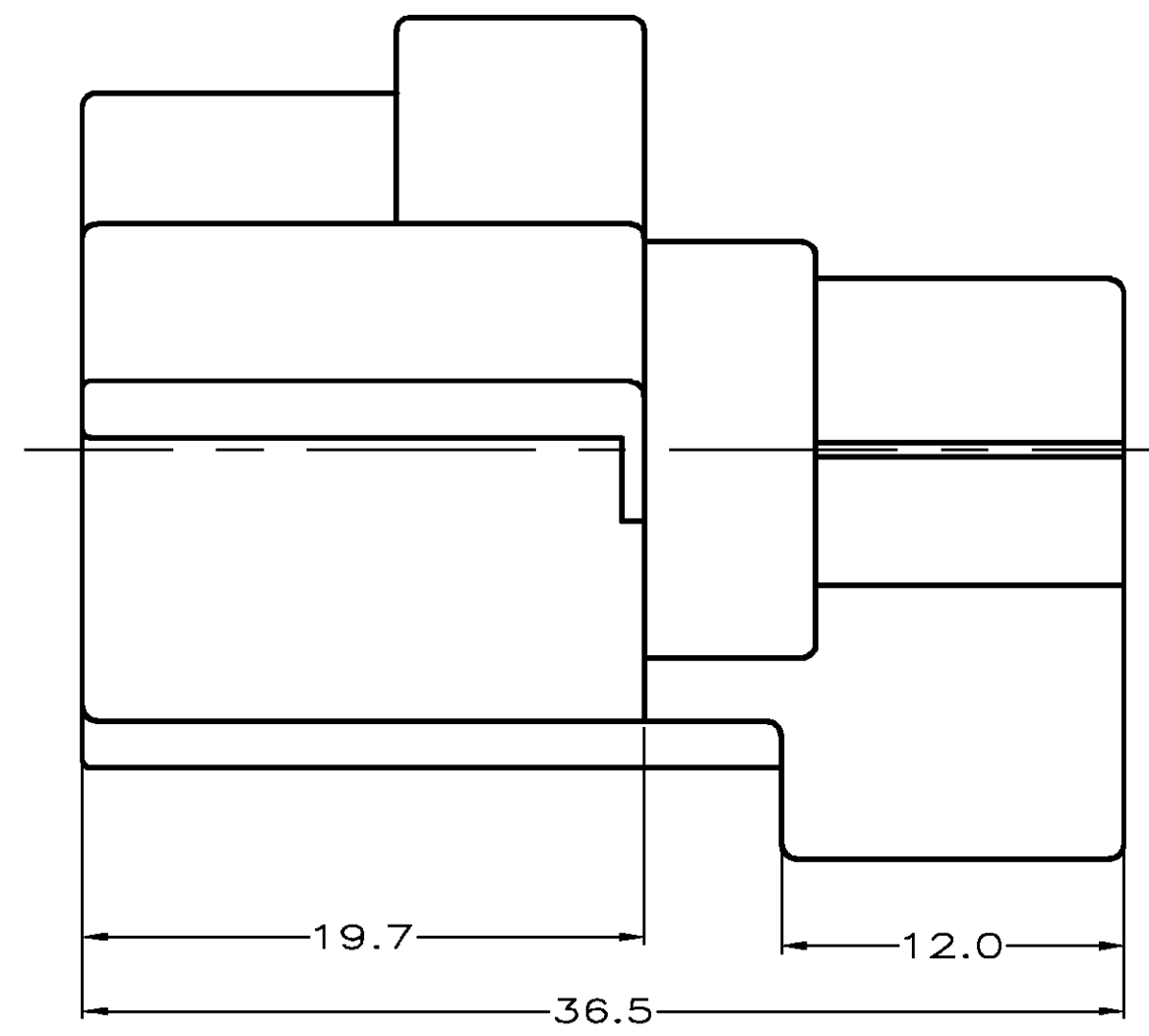
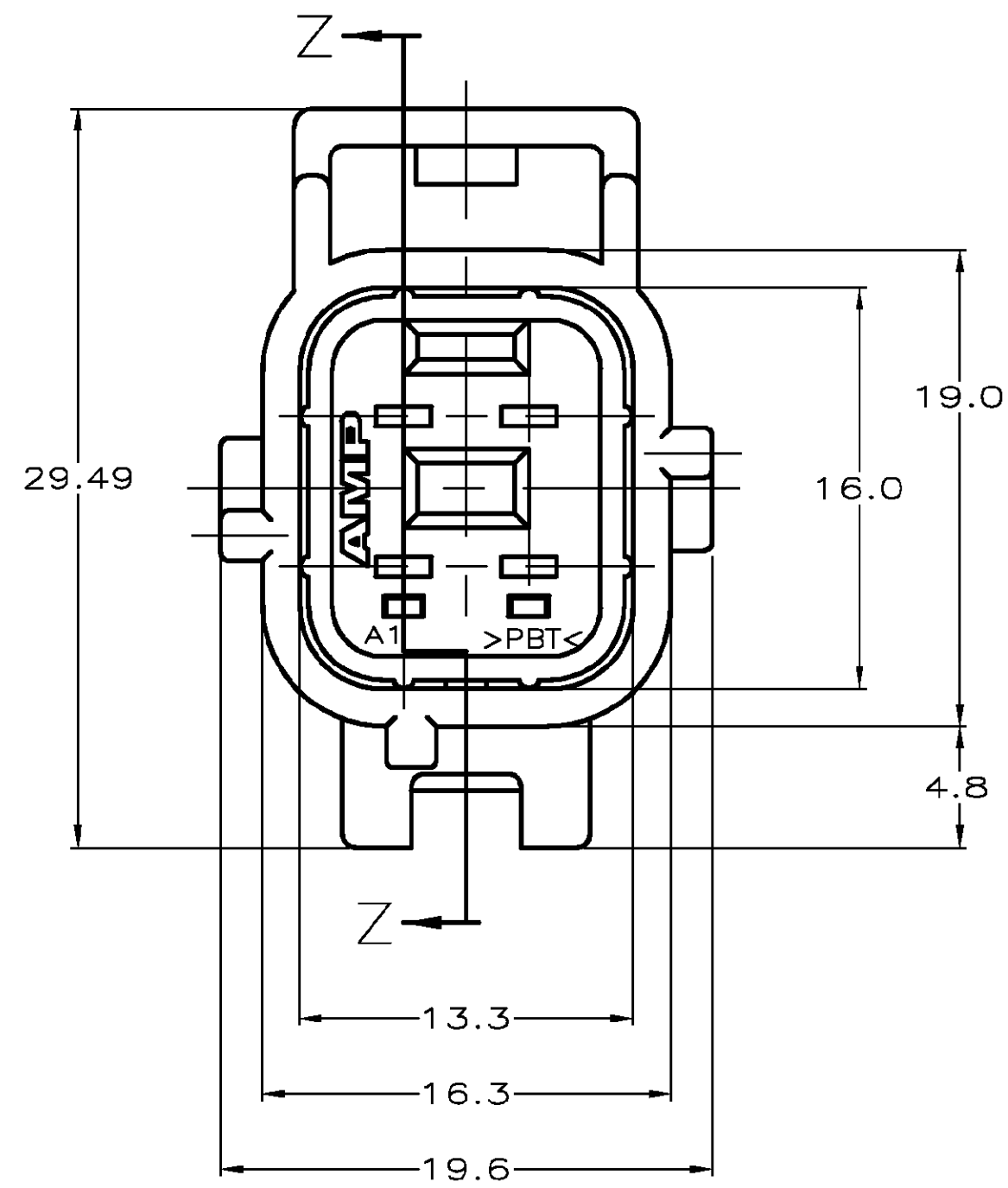


THIS DRAWING IS UNPUBLISHED. RELEASED FOR PUBLICATION
 © COPYRIGHT BY TYCO ELECTRONICS CORPORATION. ALL RIGHTS RESERVED.

LOC	DIST	REVISIONS			
P	LTR	DESCRIPTION	DATE	DWN	APVD
GE	00	A	EC OK40-0651-02	25JUL02	JRB/KLC



SECTION Z-Z



GRAY	184408-2
NATURAL	184408-1
CAP COLOR	PART NUMBER

THIS DRAWING IS A CONTROLLED DOCUMENT.		DWN AJ GRAFF 03AUG01	Tyco Electronics Corporation Harrisburg, PA 17105-3608	
DIMENSIONS: MM		CHK K COBLE 03AUG01	NAME 2 x 2 CAP ASY, KEY G-C3	
TOLERANCES UNLESS OTHERWISE SPECIFIED:		APVD K COBLE 03AUG01	SIZE A2	
0 PLC	± -	PRODUCT SPEC	CAGE CODE 00779	DRAWING NO 184408
1 PLC	± 0.3	APPLICATION SPEC	RESTRICTED TO	
2 PLC	± 0.15	WEIGHT	SCALE 4:1	SHEET 1 OF 1
3 PLC	± -	MATERIAL	REV A	
4 PLC	± -	FINISH		
ANGLES	± -	CUSTOMER DRAWING		

1844084408