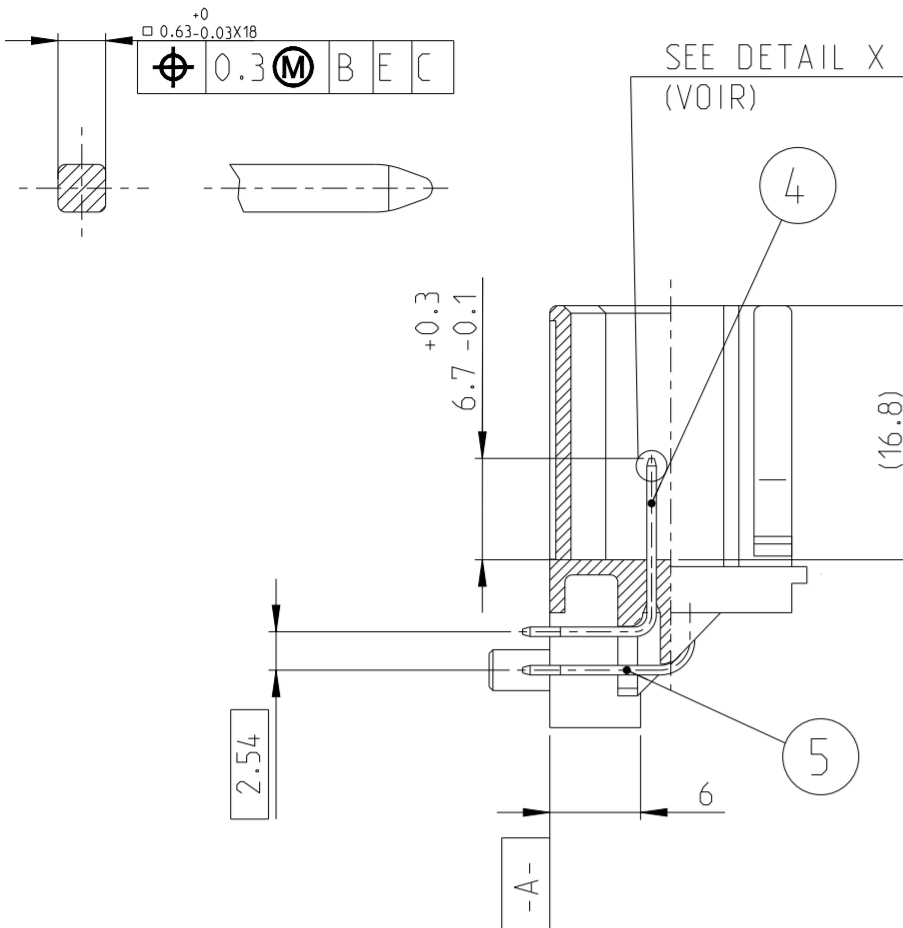


DETAIL X

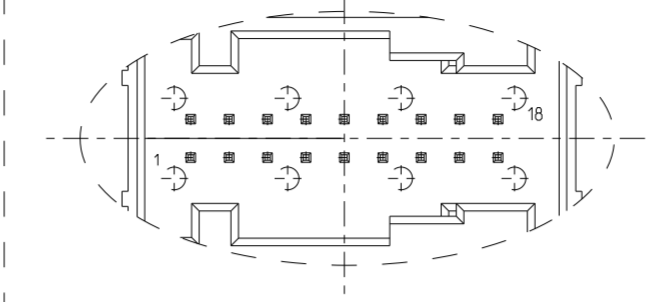
SCALE(ECH.) 10:1



SEE DETAIL X (VOIR)

DETAIL W

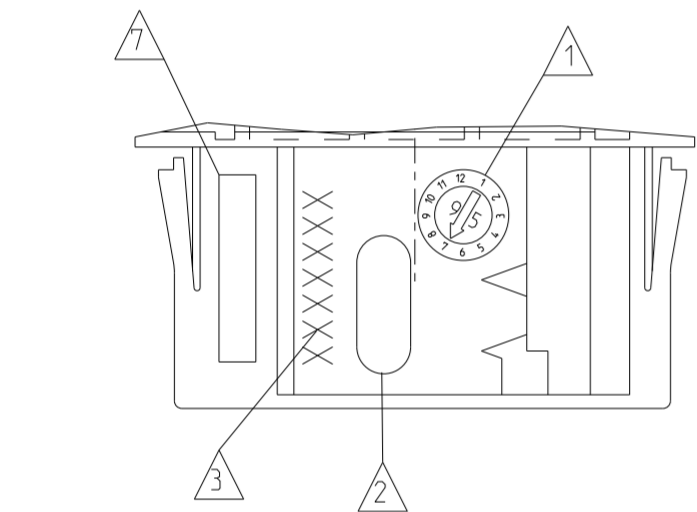
OTHER FORM POSSIBLE (AUTRE FORME POSSIBLE)



REVISIONS				
P	LTR	DESCRIPTION	DATE	APVD
L		UPDATE THE DRAWING AND ADD NEW P/N 1-1379731-1	03MAR2020	RSR
M		OBS. 185680-1/-2, 1379731-2 AND 6-1379731-2	20AUG21	MN

NOTES:

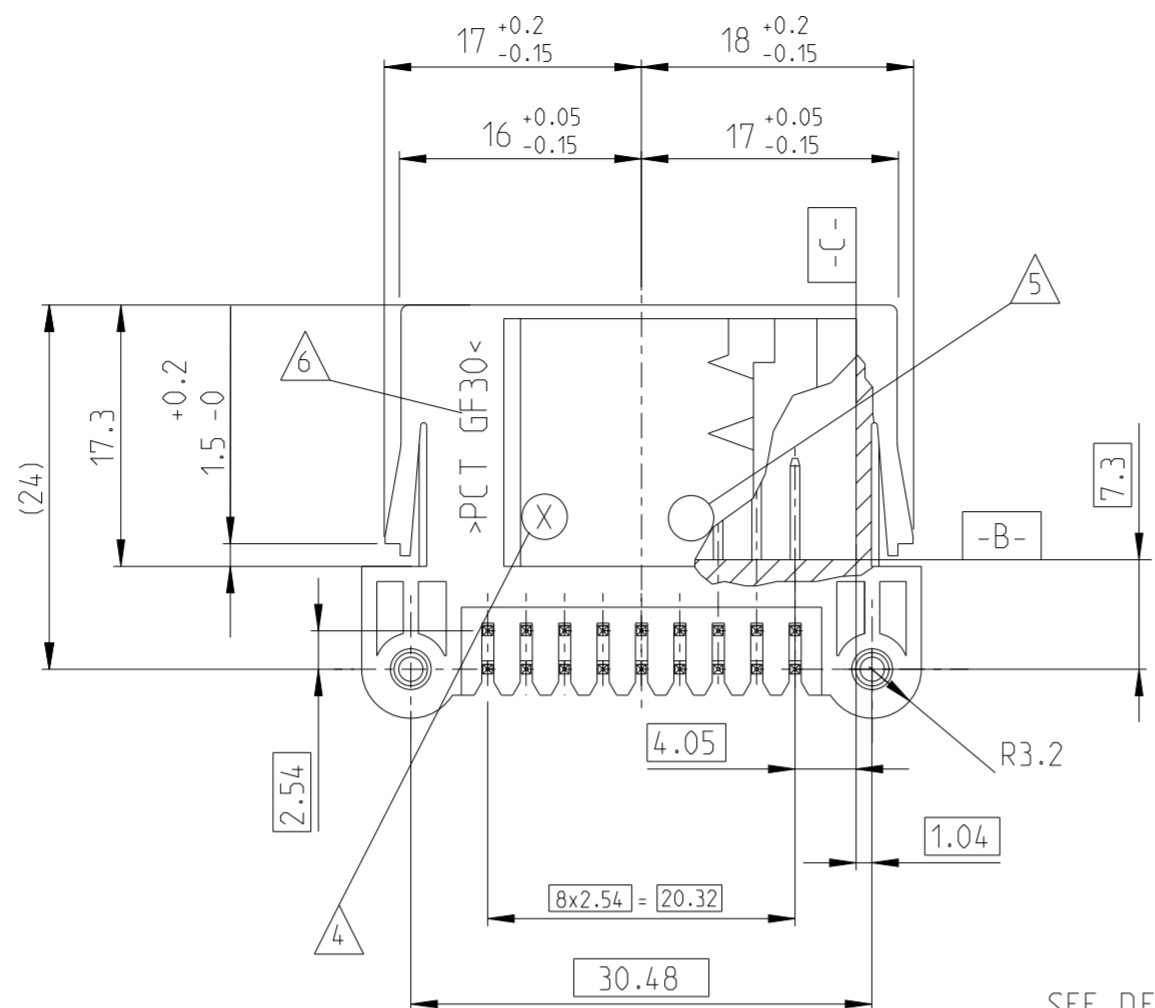
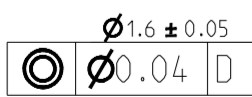
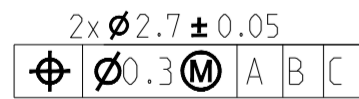
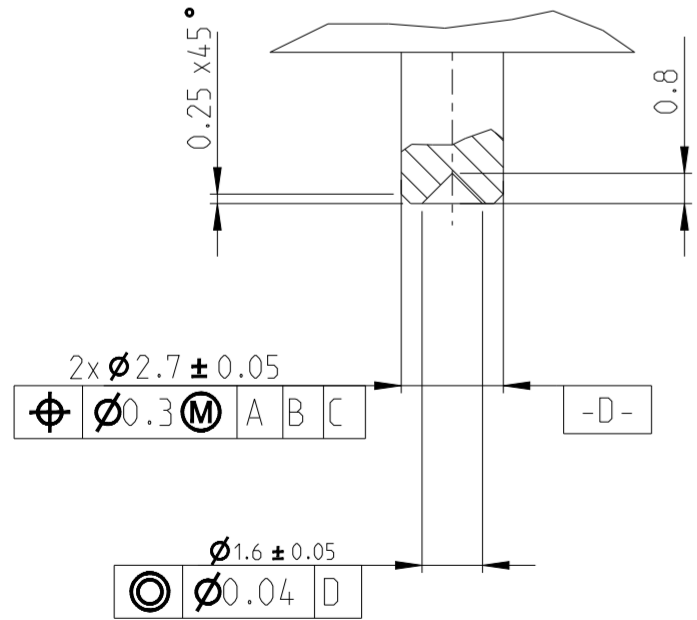
- 1 PRODUCTION DATE OF PLASTIC PART
DATE PRODUCTION DU BOITIER PLASTIQUE
- 2 TE LOGO
LOGO DE TE
- 3 ASSEMBLY PART NUMBER
REFERENCE DU PRODUIT ASSEMBLE
- 4 MOLD STATUS REVISION
INDICE REVISION DU MOULE
- 5 MOLD CAVITY IDENTIFICATION NUMBER
NUMERO D'EMPREINTE DU MOULE
- 6 PLASTIC MATERIAL IDENTIFICATION
IDENTIFICATION DE LA MATIERE PLASTIQUE
- 7 ASSEMBLY DATE MARKING
MARQUAGE DE DATE D'ASSEMBLAGE
- 8 CAPABILITY DIMENSION FOR THE TOOLINGS QUALIFICATION ONLY
COTE DE CAPABILITE UNIQUEMENT POUR LA QUALIFICATION D'OUTILLAGES
- 9 ONLY COMPATIBLE WITH THE CONNECTORS UNDER P/Ns : 185307-X ; 185315-X
COMPATIBLE UNIQUEMENT AVEC LES CONNECTEURS SOUS REF. : 185307-X ; 185315-X
- 10 TRAY-PACKAGING FOR MANUAL OPERATION ACC. TO V-SPEC. V1379731
- 11 TRAY-PACKAGING FOR AUTOMATIC OPERATION ACC. TO V-SPEC. V1379731



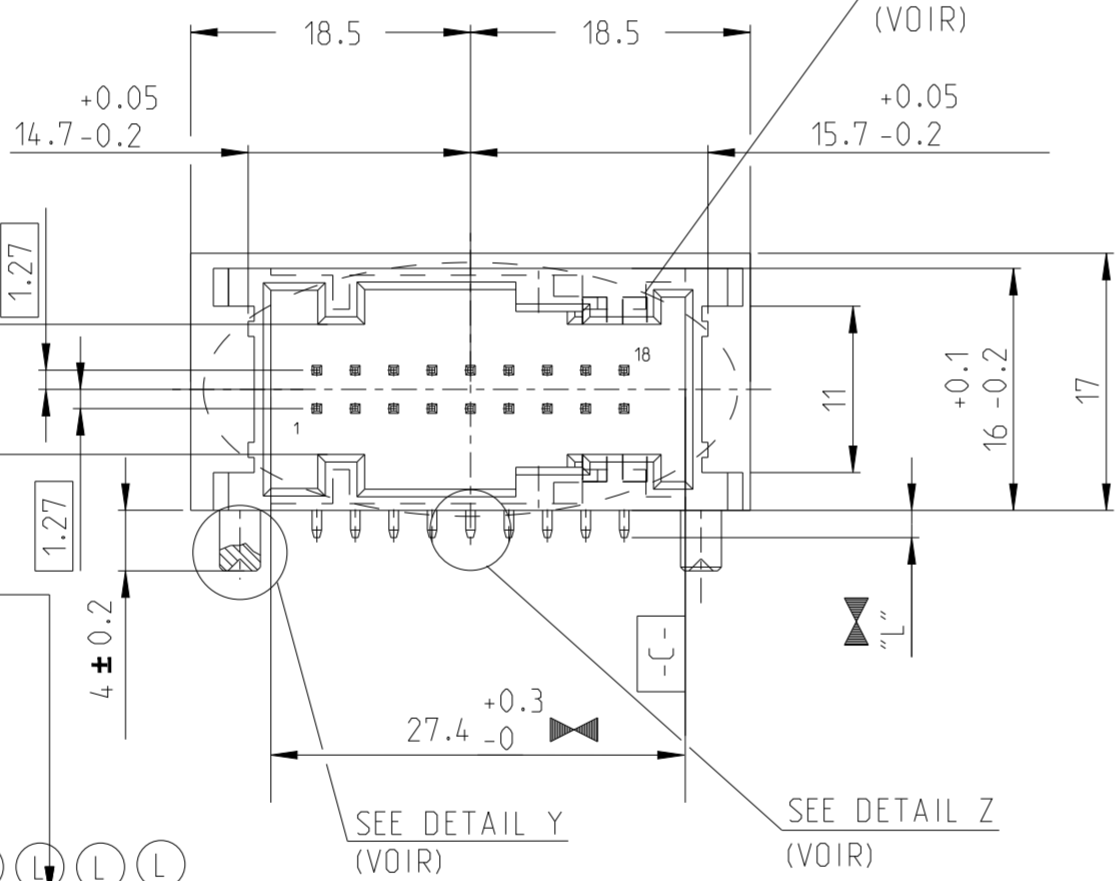
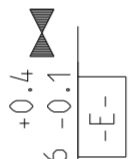
OBSOLETE

DETAIL Y

Scale(Ech.) 5:1



SEE DETAIL W (VOIR)



SEE DETAIL Y (VOIR)

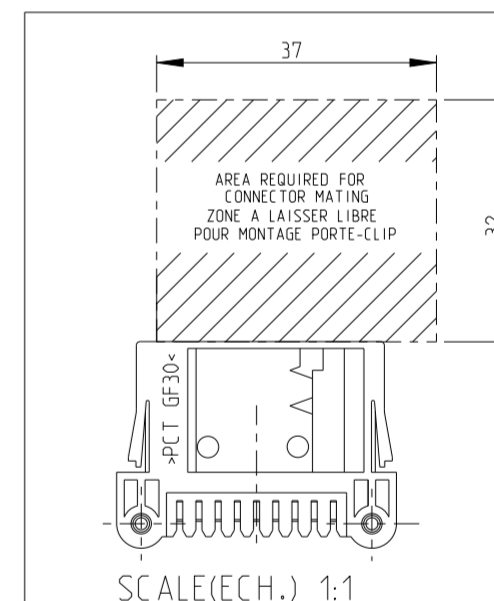
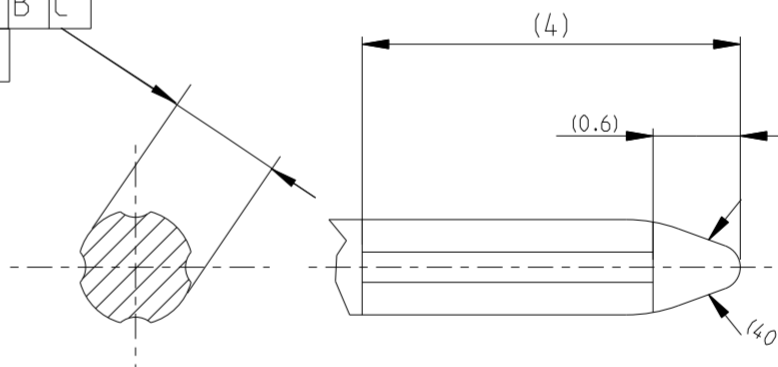
SEE DETAIL Z (VOIR)

18x0.76maxi-0.63mini



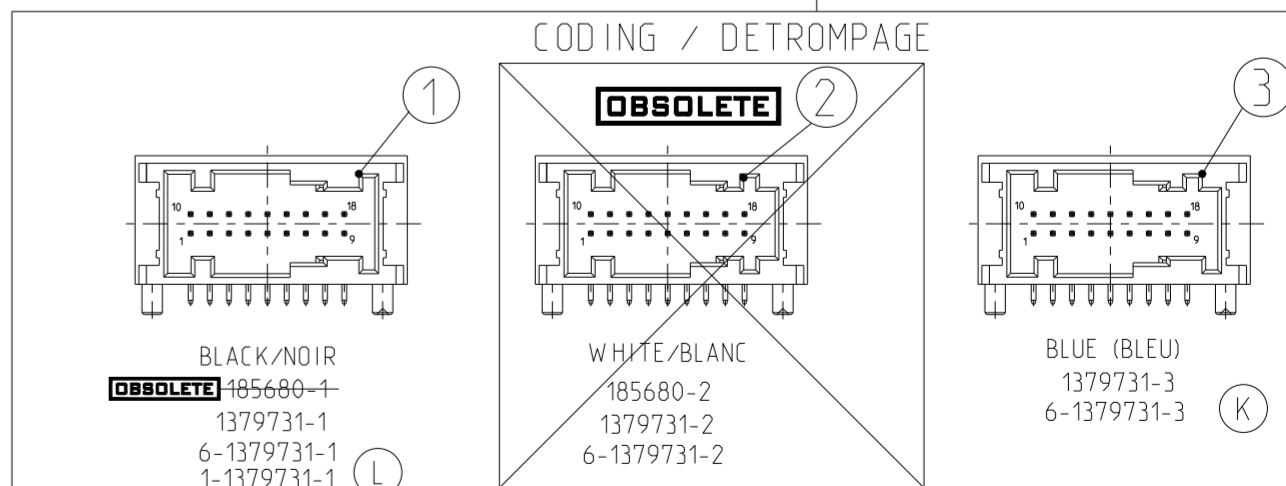
DETAIL Z

SCALE(ECH.) 20:1



SCALE(ECH.) 1:1

CODING / DETROMPAGE



ASSY P/N REF. ASSEMBLEE	1	2	3	4	5	6	7	8	9	10	11	12	13	14	15	16	17	18	19	20	
185680-1	X	X	X	X	X																
185680-2																					
1379731-1																					
1379731-2																					
1379731-3																					
6-1379731-1																					
6-1379731-2																					
6-1379731-3																					
1-1379731-1																					

QTY/QTE	P/N TO BE MARKED REF. A MARQUER	MATERIAL MATIERE	DESIGNATION	COLOR/FINISH COULEUR/FINITION	REP.
		CuSn6	LONG PIN MQS CONTACT LONG MQS		5
			SHORT PIN MQS CONTACT COURT MQS		4
			LONG PIN MQS CONTACT LONG MQS		5
			SHORT PIN MQS CONTACT COURT MQS		4
			HOUSING CODING 3 EMBASE CODAGE 3	BLUE BLEU	3
			HOUSING CODING 2 EMBASE CODAGE 2	WHITE BLANC	2
			HOUSING CODING 1 EMBASE CODAGE 1	BLACK NOIR	1
			HOUSING CODING 2 EMBASE CODAGE 2	WHITE BLANC	2
			HOUSING CODING 1 EMBASE CODAGE 1	BLACK NOIR	1

THIS DRAWING IS A CONTROLLED DOCUMENT.		DWN S.IVANOVIC 03MAY96	TE Connectivity	
		CHK J.LAQUERBE 26JUN97		
DIMENSIONS: mm		APVD J.JREVIL 26JUN97	NAME 18W MQS HEADER BENT LEFT WITH CROSSING PIN EMBASE 18V MQS COUDEE G AVEC PION	
TOLERANCES UNLESS OTHERWISE SPECIFIED:		PRODUCT SPEC 108-15151	SIZE CAGE CODE DRAWING NO RESTRICTED TO	
MATERIAL		APPLICATION SPEC -	A2 00779 C-185680	
		WEIGHT -	SCALE 2:1 SHEET 1 OF 1 REV M	
		CUSTOMER DRAWING		