

THIS DRAWING IS UNPUBLISHED.

RELEASED FOR PUBLICATION

2011

© COPYRIGHT 2011

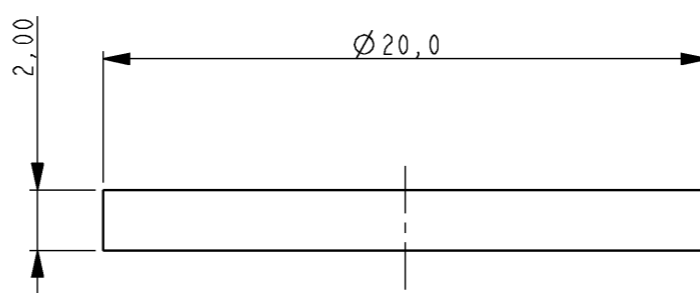
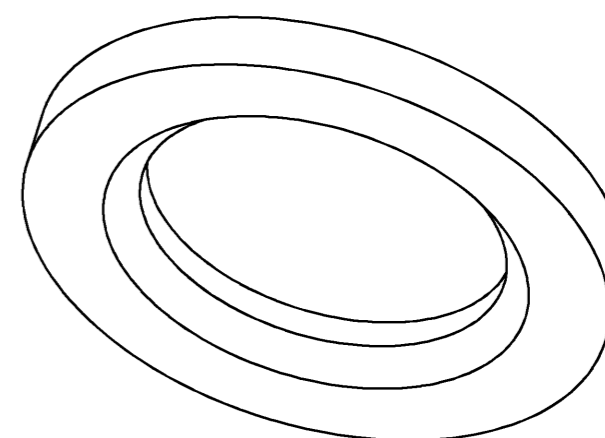
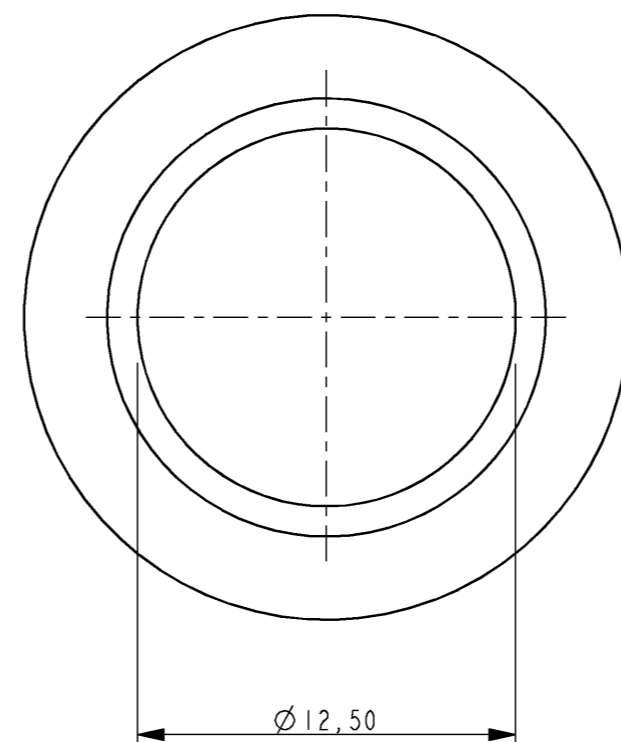
BY TYCO ELECTRONICS CORPORATION. ALL INTERNATIONAL RIGHTS RESERVED.

LOC  
IR

DIST  
-

REVISIONS

P	LTR	DESCRIPTION	DATE	DWN	APVD
	A	FIRST ISSUE	28JAN2011	PS	PKS
-	-	-	-	-	-
-	-	-	-	-	-
-	-	-	-	-	-



NOTES:

- 1 MATERIAL: CARBON STEEL ALLOY
- 2 NICKEL PLATING
- 3 ALL DIMENSIONS APPLY AFTER PLATING.
- 4 BREAK ALL SHARP EDGES TO 0,25 MAX.

2	1857513-1	1857513-2
	1	1857513-1
PLATING	MATERIAL	PART NUMBER

<small>THIS DRAWING IS A CONTROLLED DOCUMENT FOR TYCO ELECTRONICS CORPORATION IT IS SUBJECT TO CHANGE AND THE CONTROLLING ENGINEERING ORGANIZATION SHOULD BE CONTACTED FOR THE LATEST REVISION.</small>		DWN Praduth 28Jan2011 CHK Senthil 01Feb2011 APVD Senthil 01Feb2011		Tyco Electronics Corporation Bangalore, INDIA	
DIMENSIONS: mm		TOLERANCES UNLESS OTHERWISE SPECIFIED: 0 PLC ±- 1 PLC ±0.25 2 PLC ±0.15 3 PLC ±- 4 PLC ±- ANGLES ±-		NAME <b>WASHER RAPID LOCK 12MM PIN</b>	
		MATERIAL - FINISH -		PRODUCT SPEC - APPLICATION SPEC - WEIGHT -	
		SIZE A3 CAGE CODE 00779 DRAWING NO G-1857513		RESTRICTED TO -	
CUSTOMER DRAWING		SCALE 4:1		SHEET 1 OF 1 REV A	