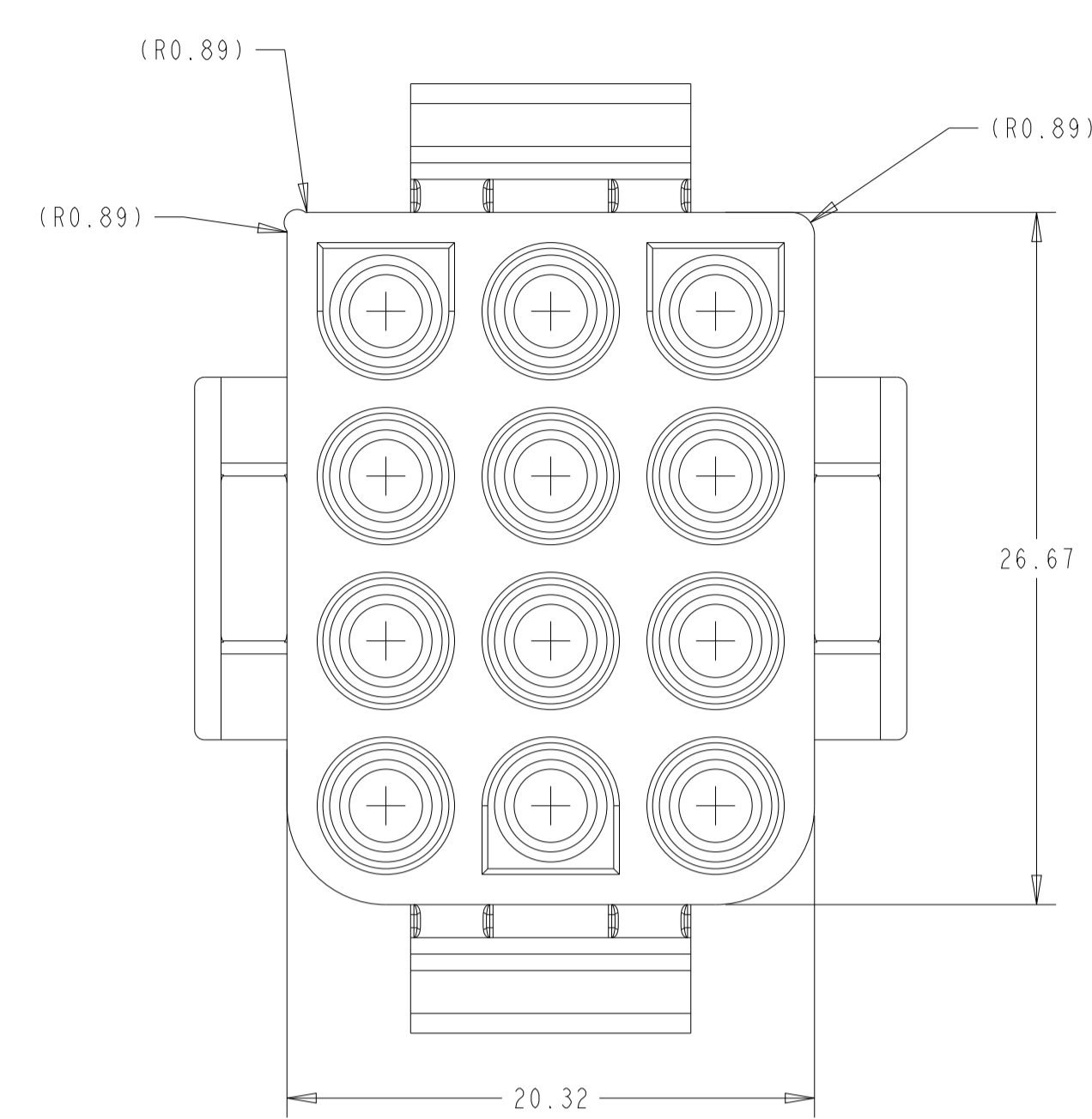
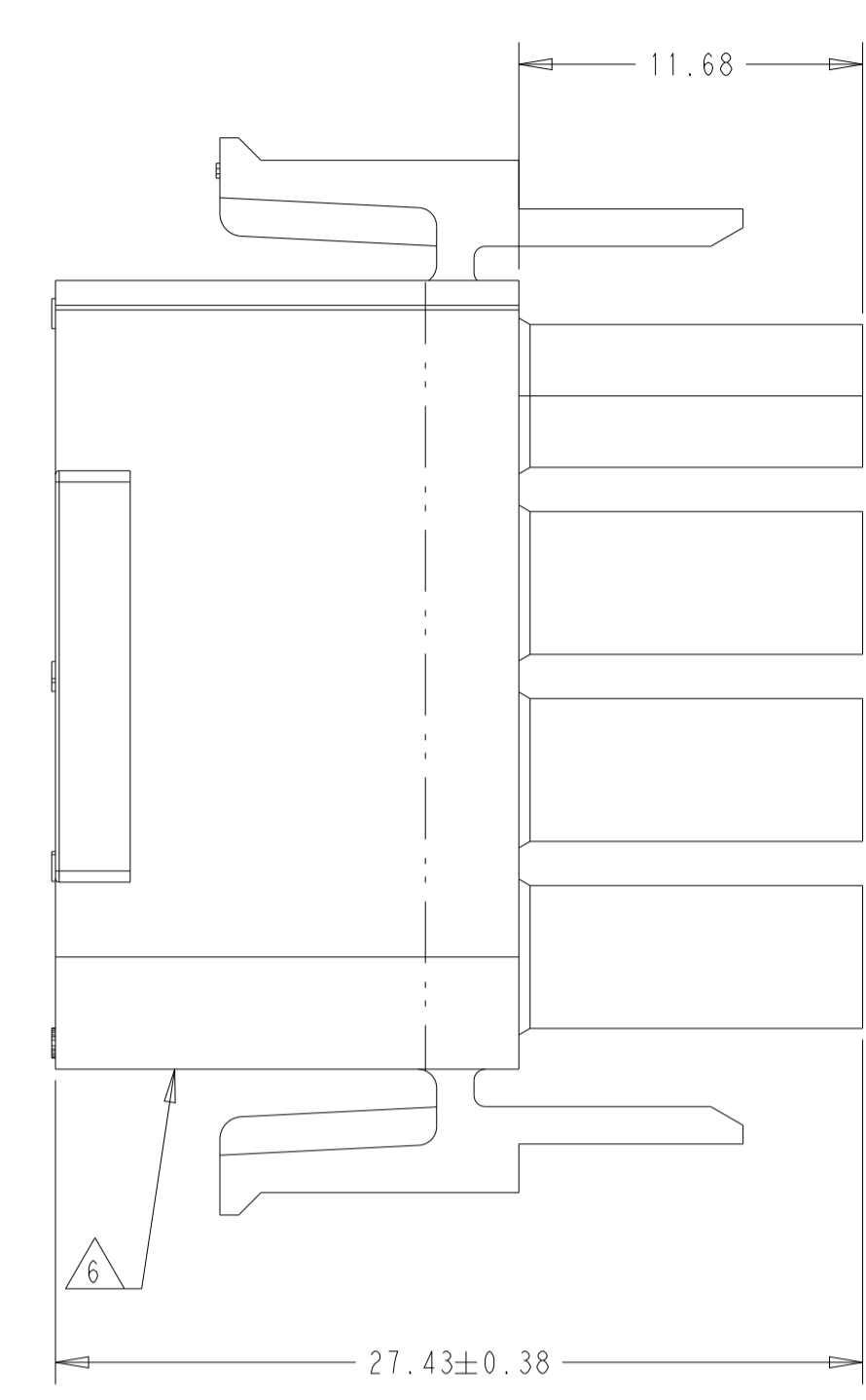
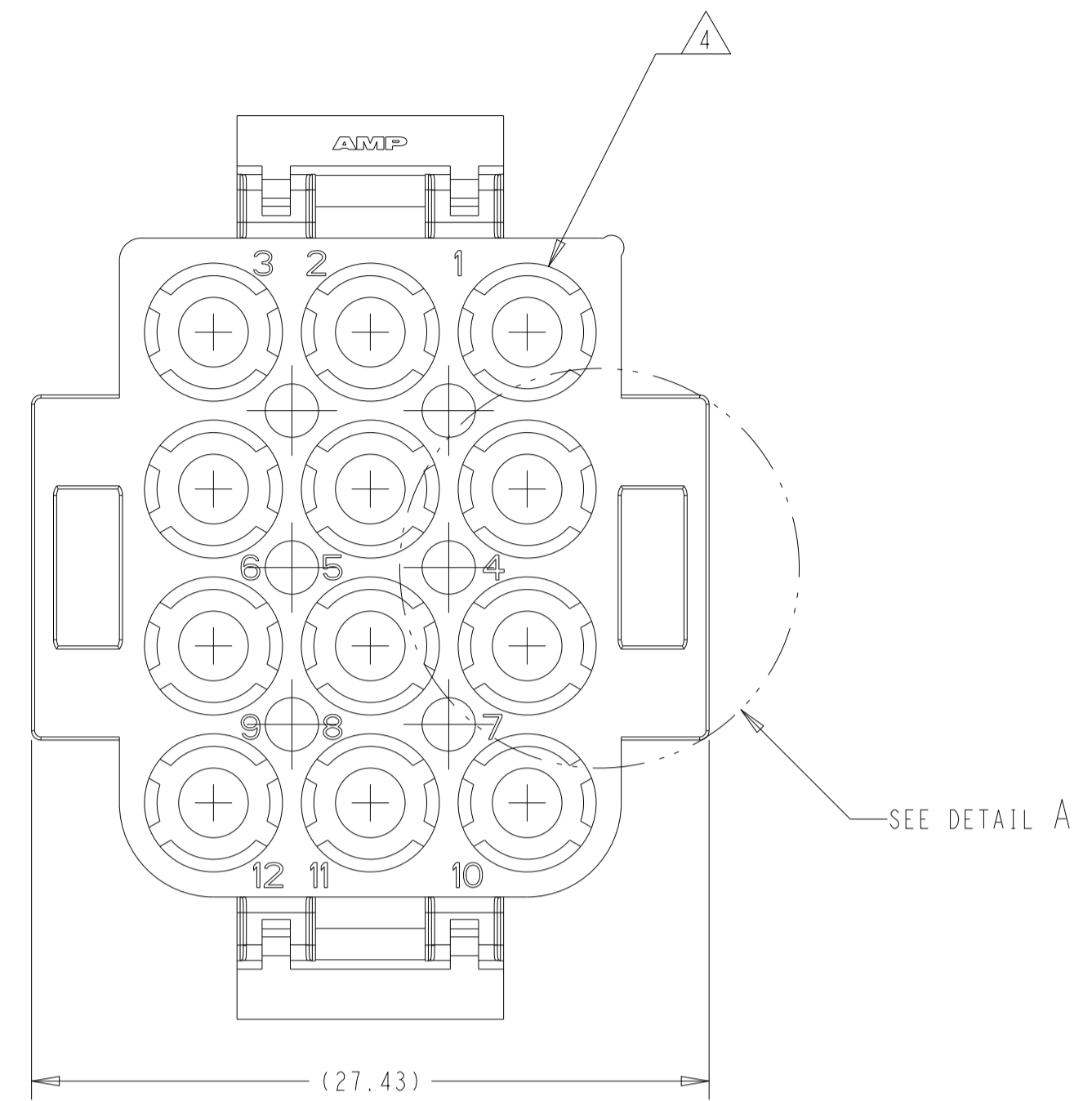
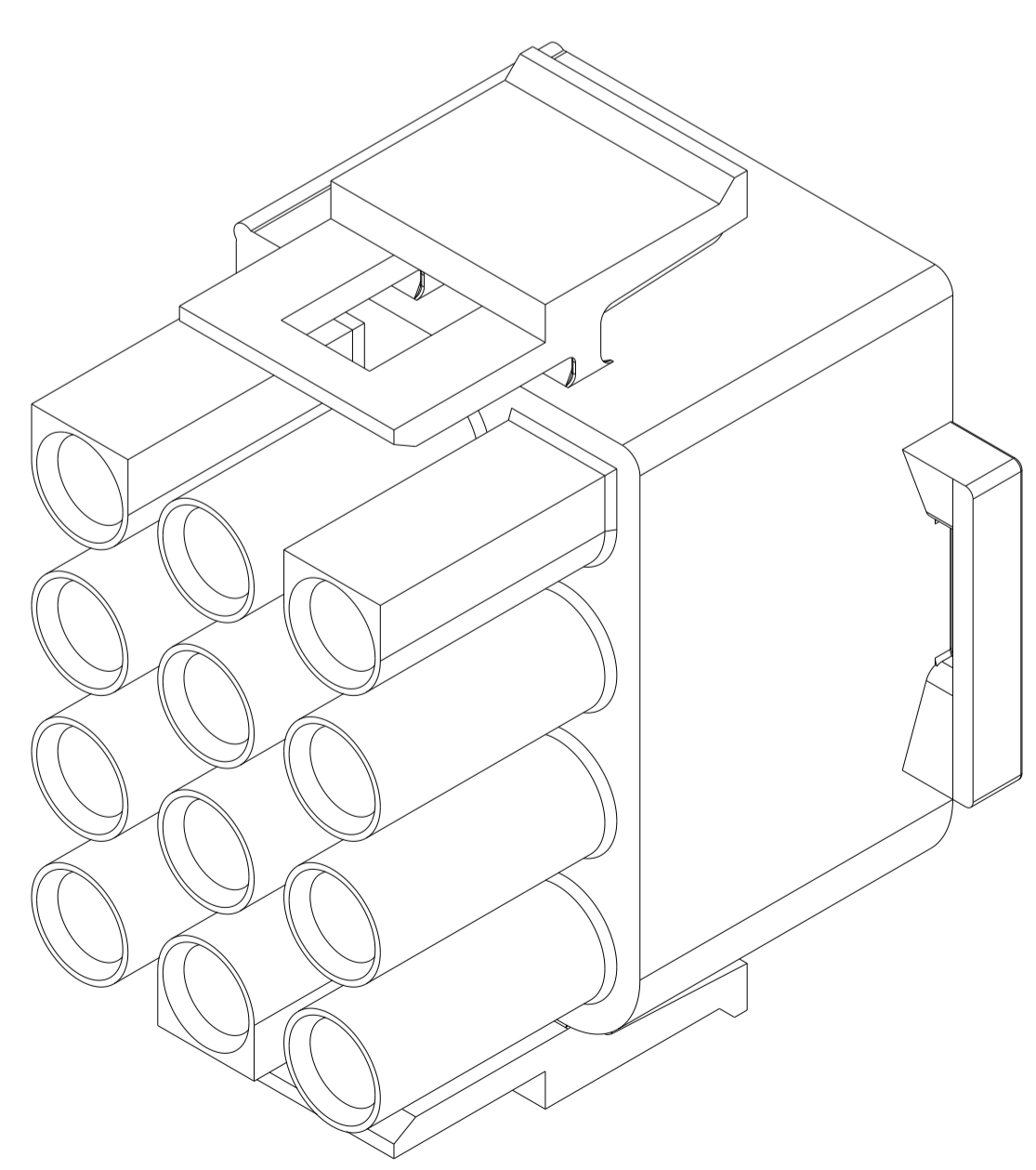


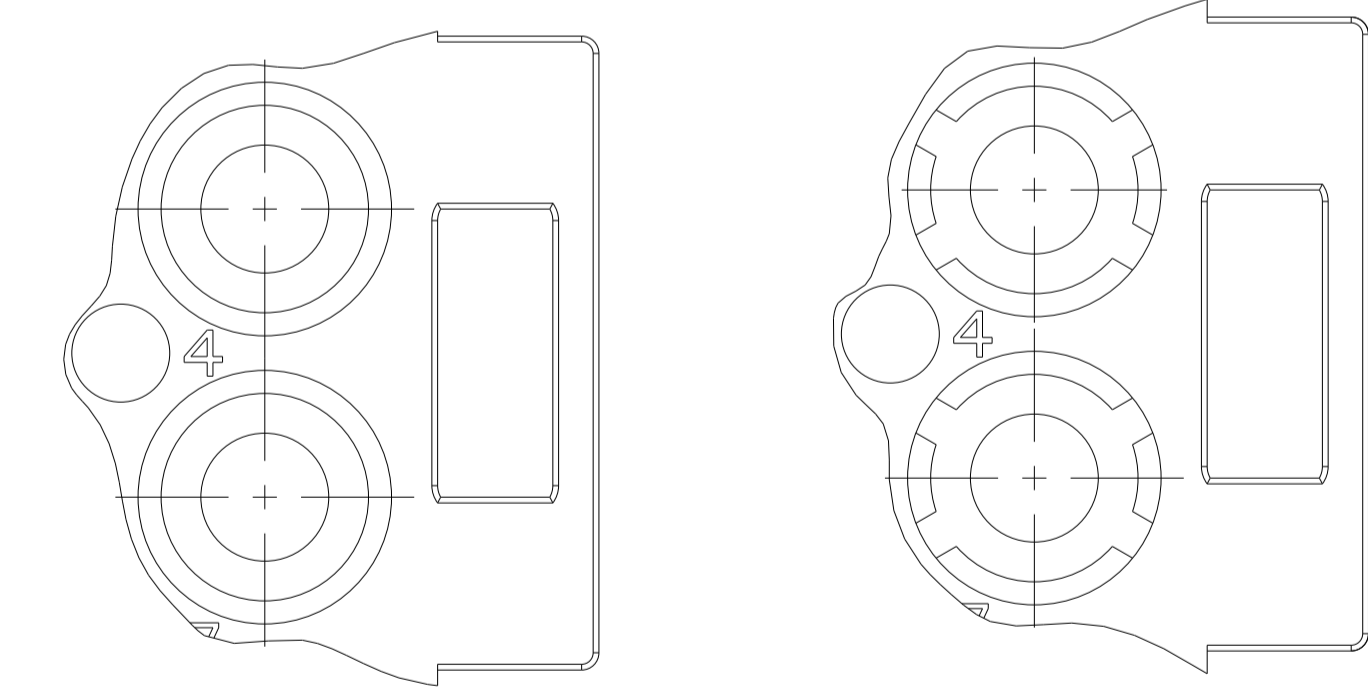
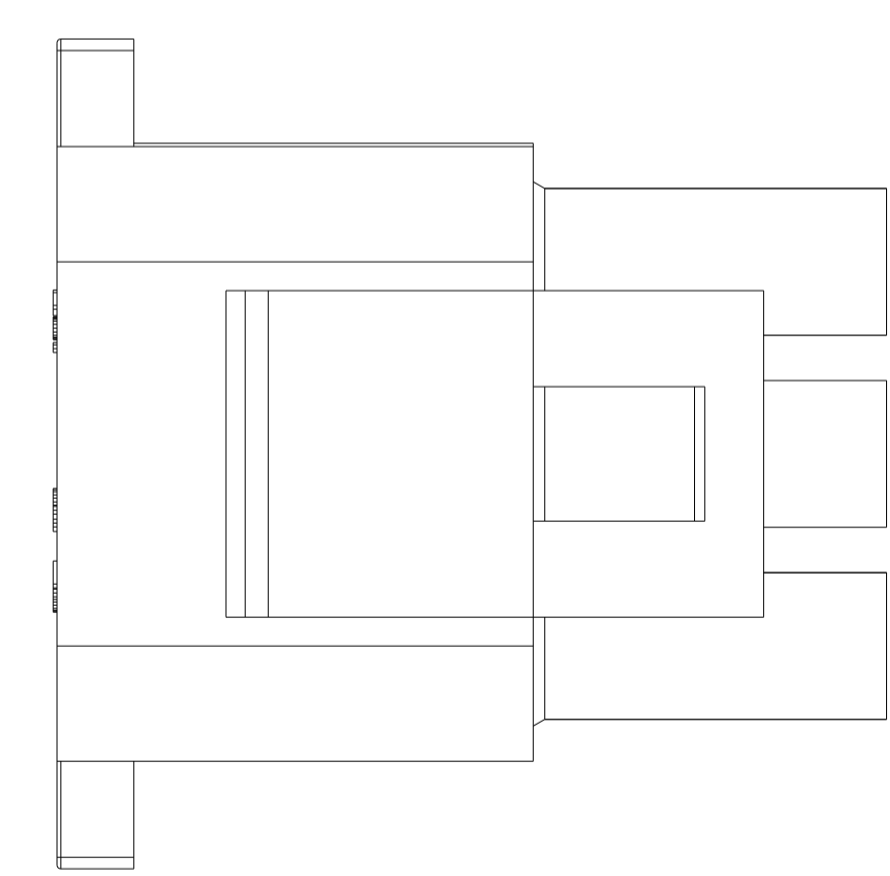
REVISIONS				
P	LTN	DESCRIPTION	DATE	APVD
A4		REVISED PER ECR-17-014951	16OCT2017	BDA KR
B		REVISED PER ECR-24-218682	09SEP2024	AK BR



1. MATES WITH APPROPRIATE UNIVERSAL MATE-N-LOK™ CAP OR HEADER.
2. SMALL NICKS ARE PERMITTED ON THE CIRCUIT TOWERS WHICH COULD INCREASE THE INITIAL HOUSING MATING FORCE BY UP TO 4.4 NEWTONS (1.0 LBS). NO INDIVIDUAL NICKED TOWER SHALL INCREASE THIS FORCE BY OVER 2.2 NEWTONS (0.5 LBS).
3. DIMENSIONS SHOWN REPRESENT PRODUCT IN DRY, AS MOLDED, CONDITION. ADDITIONAL 2% GROWTH DUE TO SUBSEQUENT MOISTURE ABSORPTION MAY OCCUR AND SHOULD BE ACCOUNTED FOR.
4. FOUR RIBS EQUALLY SPACED, NO SPECIFIC ORIENTATION, NO RIBS OR SIX RIBS EQUALLY SPACED, NO SPECIFIC ORIENTATION, OPTIONAL.
5. NOT MANUFACTURED IN US.
6. UNDERWRITERS RECOGNIZED COMPONENT LOGO AND CSA CERTIFICATION LOGO TO BE LOCATED ONCE ON EACH SIDE OF HOUSING.
7. MATERIAL CORRESPONDING TO THE REQUIREMENTS OF IEC 60335 (INCL. GLOW WIRE TEST 750°C. WITHOUT FLAME)
8. PRELIMINARY PART NOT RELEASED FOR PRODUCTION.



3-DIMENSIONAL MODEL
NOT TO SCALE.



DETAIL A
SCALE 6:1
OPTIONAL CONSTRUCTION

REMARKS	COLOUR	MATERIAL	PART NUMBER
⚠	NATURAL	PA66 UL94-V0 (GW T 750°C)	1-1863005-2
⚠	NATURAL	PA6 UL94-V0	1-1863005-1
⚠	NATURAL	PA6 UL94-V2	1863005-1

THIS DRAWING IS A CONTROLLED DOCUMENT.

DIMENSIONS:	TOLERANCES UNLESS OTHERWISE SPECIFIED:	OWN: KARTHICK BALAJI	19OCT2013
mm	0 PLC ±	CHK: KARTHICK BALAJI	19OCT2013
	1 PLC ± 0.13	APVD: RAJENDRA PAI	19OCT2013
	2 PLC ±	NAME: UMNL 12 WAY PLUG HSG	
	3 PLC ±	PRODUCT SPEC: -	
	4 PLC ±	APPLICATION SPEC: -	
	ANGLES ± 30°	SIZE: A1	CAGE CODE: 1863005
MATERIAL:	FINISH:	WEIGHT:	RESTRICTED TO: -
			CUSTOMER DRAWING

TE Connectivity

SCALE 4:1 SHEET 1 OF 1 REV B