

THIS DRAWING IS UNPUBLISHED.

RELEASED FOR PUBLICATION APR ,2017.

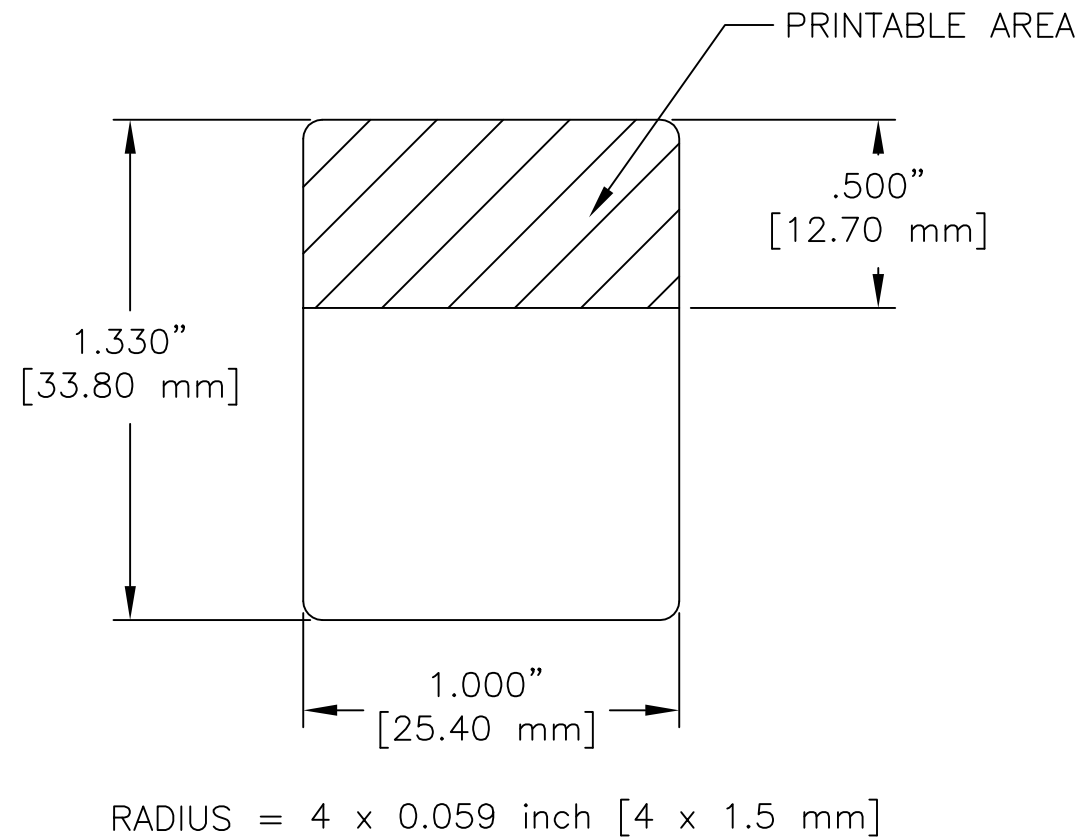
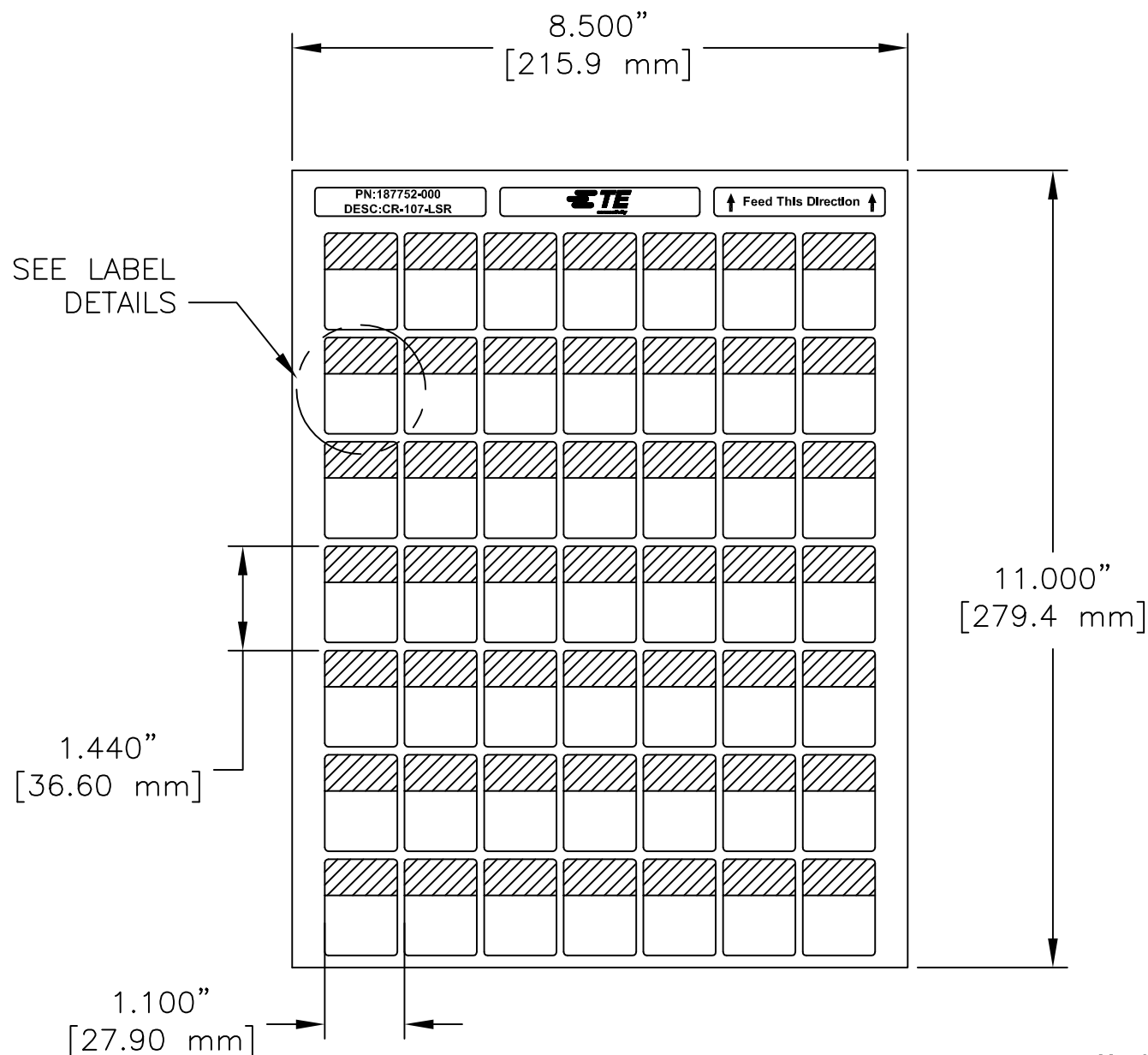
© COPYRIGHT 2017 By TE Connectivity

ALL RIGHTS RESERVED.

REVISIONS

P	LTR	DESCRIPTION	DATE	DWN	APVD
	A	NEW DRAWING	23MAR2016	KR	KM
	B	DRAWING FORMAT UPDATE	07APR2017	GK	KM

LABEL DETAILS



LABEL ACROSS: 7
PACKAGE QTY: 2,499

All dimensions in INCHES[mm]

TE PN: 187752-000

MATERIAL	CLEAR POLYESTER FILM
ADHESIVE TYPE	PERMANENT
PRINT	WHITE PRINTABLE AREA AND HEADER WITH TE LOGO AND INFORMATION LINE IN WHITE COLOUR ON CLEAR FILM
REALIZATION	49 LABELS PER SHEET

TOLERANCES INCH [mm]
LABEL HEIGHT: ±.012 [0.3]
LABEL WIDTH: ±.012 [0.3]
WEB WIDTH: ±.031 [0.8]
VERTICAL REPEAT: ±.031 [0.8]*
HORIZONTAL REPEAT: ±.031 [0.8]*
PRINT POSITIONING: ±.031 [0.8]*
LEFT MARGIN: ±.016 [0.4]
QUANTITY: -0% +2%
*NON ACCUMULATING

THIS DRAWING IS A CONTROLLED DOCUMENT.	
DIMENSIONS: INCHES [mm]	TOLERANCES UNLESS OTHERWISE SPECIFIED:
	0 PLC ± -
	1 PLC ± .1
	2 PLC ± .050
	3 PLC ± .020
	4 PLC ± 1/8"
ANGLES ± -	
MATERIAL: SEE TABLE	FINISH: GLOSSY

DWN: 07APR2017 GOPALAKRISHNA HV		TE Connectivity	
CHK: 07APR2017 K. MUNZ		NAME: CR-107-LSR	
APVD: 07APR2017 K. MUNZ		LSR LASER PRINTABLE SELF-LAMINATING LABELS	
PRODUCT SPEC: -	SIZE: A3	CAGE CODE: 00779	DRAWING NO: C=187752-000
APPLICATION SPEC: -	RESTRICTED TO: -	SCALE: NTS	SHEET: 1 of 1
WEIGHT: -	CUSTOMER DRAWING	REV: B	