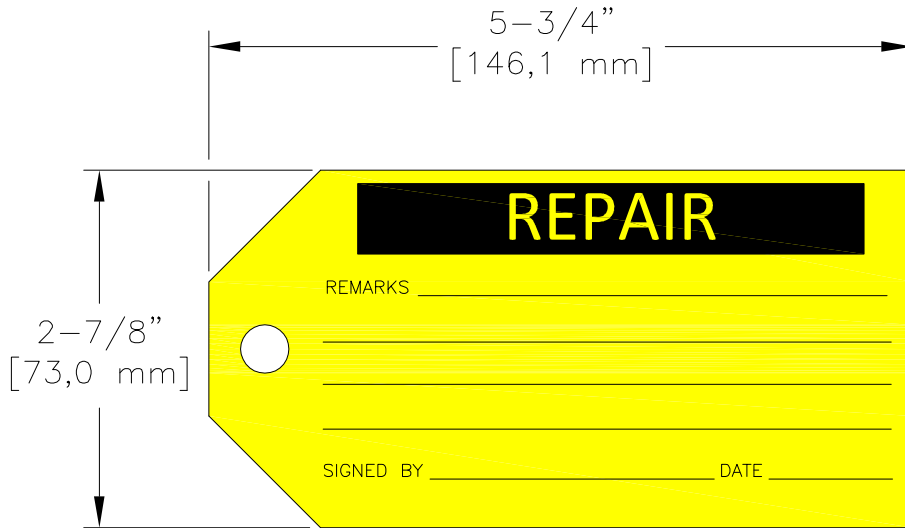


|     |      |           |     |             |           |     |      |
|-----|------|-----------|-----|-------------|-----------|-----|------|
| LOC | DIST | REVISIONS |     |             |           |     |      |
| —   | —    | P         | LTR | DESCRIPTION | DATE      | DWN | APVD |
|     |      | A         |     | NEW DRAWING | 08MAR2016 | KR  | KM   |


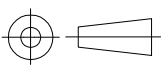


LABEL VIEW

QTY: 100 TAGS  
FOR INDOOR USE ONLY

|                    |                         |
|--------------------|-------------------------|
| MATERIAL           | PAPERBOARD              |
| PRINT COLOURS      | 1 COLOUR PRINT IN BLACK |
| BACKGROUND COLOURS | YELLOW                  |

THIS DRAWING IS UNPUBLISHED. BY - ALL RIGHTS RESERVED. © COPYRIGHT

|                                        |                                                                                     |                  |                                                                                                      |             |           |               |     |
|----------------------------------------|-------------------------------------------------------------------------------------|------------------|------------------------------------------------------------------------------------------------------|-------------|-----------|---------------|-----|
| DIMENSIONS:<br>INCHES [mm]             | DWN<br>K. RAGHAVENDRA                                                               | 08MAR2016        | MATERIAL                                                                                             | —           | FINISH    | —             |     |
|                                        | CHK<br>K. MUNZ                                                                      | 08MAR2016        |  TE Connectivity |             |           |               |     |
| TOLERANCES UNLESS OTHERWISE SPECIFIED: | APVD<br>K. MUNZ                                                                     | 08MAR2016        |                                                                                                      |             |           |               |     |
| 0 PLC ± —                              | PRODUCT SPEC                                                                        | —                | NAME<br>QMT213<br>PAPERBOARD TAGS                                                                    |             |           |               |     |
| 1 PLC ± .1                             | APPLICATION SPEC                                                                    | —                |                                                                                                      |             |           |               |     |
| 2 PLC ± .050                           | WEIGHT                                                                              | —                | SIZE                                                                                                 | A4          | CAGE CODE | 00779         |     |
| 3 PLC ± .020                           |  | CUSTOMER DRAWING | DRAWING NO                                                                                           | C-1878678-3 |           | RESTRICTED TO | —   |
| 4 PLC ± 1/8"                           |                                                                                     |                  | SCALE                                                                                                | NTS         | SHEET     | 1 OF 1        | REV |
| ANGLES ± —                             |                                                                                     |                  |                                                                                                      |             |           |               |     |