

4

3

2

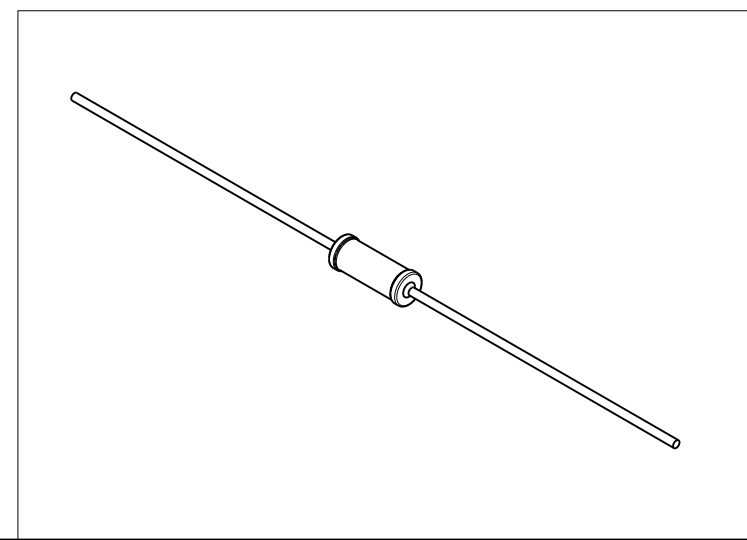
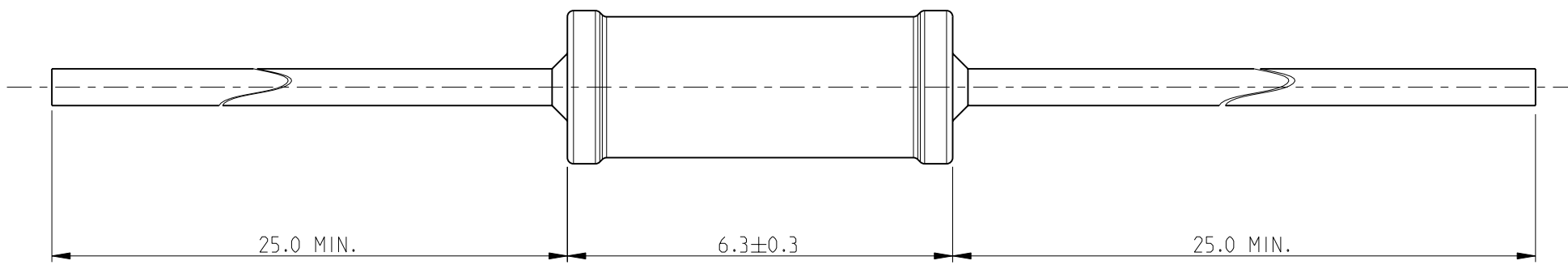
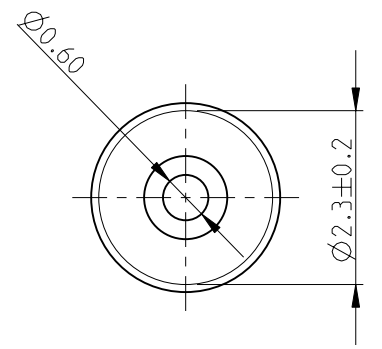
1

THIS DRAWING IS UNPUBLISHED.      RELEASED FOR PUBLICATION      2008

© COPYRIGHT 2008      BY TYCO ELECTRONICS CORPORATION. ALL RIGHTS RESERVED.

LOC	DIST	REVISIONS				
P	LTR	DESCRIPTION	DATE	DWN	APVD	
E	B	BA	NEW RELEASE	14SEP2010	PT	St.P

FOR FURTHER INFORMATION SEE DATA SHEET FOR  
SERIES R - PRECISION METAL FILM FIXED RESISTORS



THIS DRAWING IS A CONTROLLED DOCUMENT FOR TYCO ELECTRONICS CORPORATION IT IS SUBJECT TO CHANGE AND THE CONTROLLING ENGINEERING ORGANIZATION SHOULD BE CONTACTED FOR THE LATEST REVISION.		DWN	14SEP2010	Tyco Electronics Corporation	
		CHK	14SEP2010	Dorcan, Swindon, SN3 5HH	
		APVD	14SEP2010	NAME	
		PRODUCT SPEC	-	PRECISION METAL FILM FIXED RESISTORS	
		APPLICATION SPEC	-	SERIES R1	
		WEIGHT	-	SIZE	RESTRICTED TO
		CUSTOMER DRAWING		A3	-
		SCALE		10:1	
		SHEET		1	OF 1
		REV		BA	

DIMENSIONS:	TOLERANCES UNLESS OTHERWISE SPECIFIED:
mm	
0 PLC	±0.2
1 PLC	±0.1
2 PLC	±-
3 PLC	±-
4 PLC	±-
ANGLES	±5°
MATERIAL	FINISH
-	-