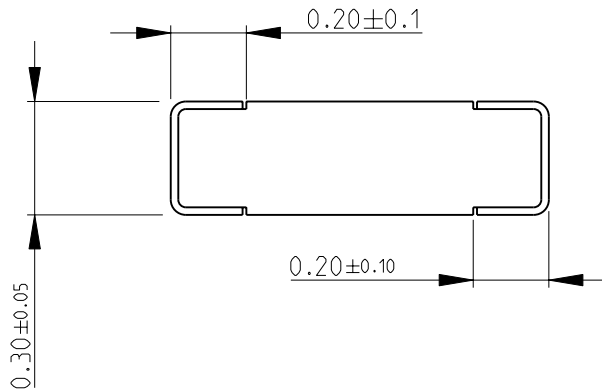
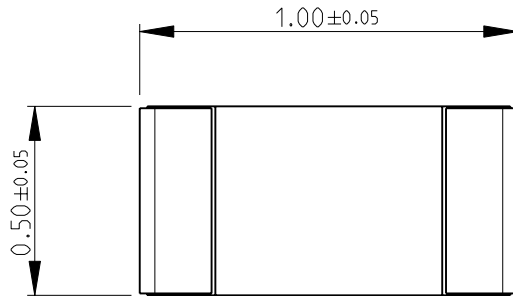
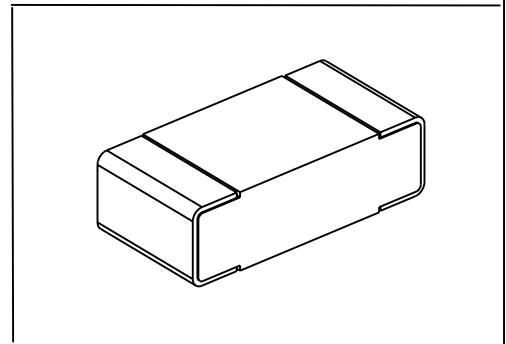
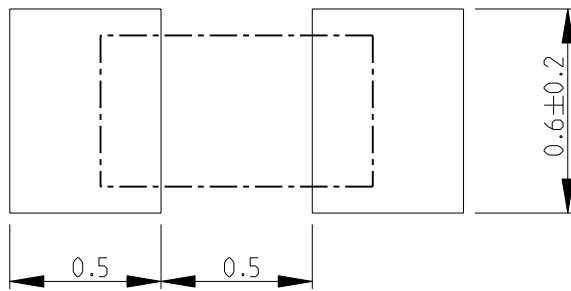


LOC	DIST	REVISIONS					
E	B	P	LTR	DESCRIPTION	DATE	DWN	APVD
			BA	NEW RELEASE	01SEP2010	PT	St.P

FOR FURTHER INFORMATION SEE DATA SHEET FOR
RN73 SERIES-HIGH PRECISION RESISTORS (SMD)



RECOMMENDED LAND PATTERN



2010

RELEASED FOR PUBLICATION

BY TYCO ELECTRONICS CORPORATION. ALL RIGHTS RESERVED.

THIS DRAWING IS UNPUBLISHED.

© COPYRIGHT 2010

DIMENSIONS: mm	DWN	PARUSURAM.T	01SEP2010	MATERIAL	-	FINISH	-		
	CHK	ALLAN.P	01SEP2010	Tyco Electronics Corporation Dorcan, Swindon, SN3 5HH					
TOLERANCES UNLESS OTHERWISE SPECIFIED:	APVD	STEPHEN.P	01SEP2010						
0 PLC ±0.2	PRODUCT SPEC	-	-	NAME				HIGH PRECISION RESISTORS (SMD) SERIES RN73 1E	
1 PLC ±0.1	APPLICATION SPEC	-	-	SIZE	A 4	CAGE CODE	00779		
2 PLC ±-	WEIGHT	-	-	DRAWING NO	C= 1879128		RESTRICTED TO	-	
3 PLC ±-				SCALE	20:1	SHEET	1 OF 1	REV	BA
4 PLC ±-				CUSTOMER DRAWING					
ANGLES ±5°									