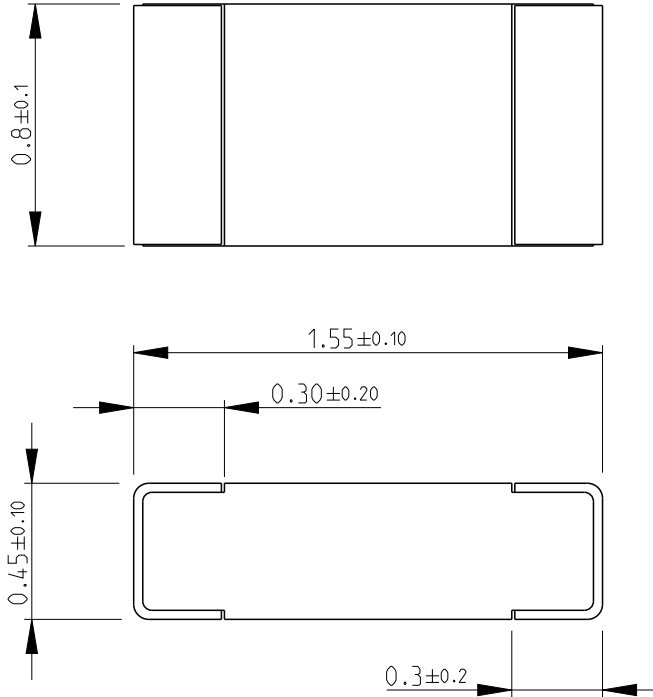
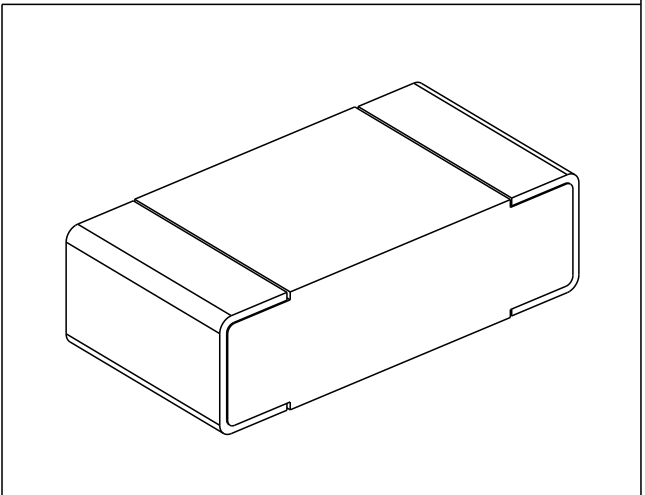


REVISIONS				
P	LTR	DESCRIPTION	DATE	APVD
	BA1	ECR-14-009193	19JUN2014	KR TN

FOR FURTHER INFORMATION SEE DATA SHEET FOR
CPF SERIES-THIN FILM PRECISION CHIP RESISTORS



RoHS Compliant



2008
 RELEASED FOR PUBLICATION
 ALL RIGHTS RESERVED.
 BY -
 COPYRIGHT 2008

DIMENSIONS: mm	DWN	27-Sep-08	MATERIAL	-	FINISH	-
	CHK	27-Sep-08	TE Connectivity			
TOLERANCES UNLESS OTHERWISE SPECIFIED: 0 PLC ±0.2 1 PLC ±0.1 2 PLC ± 3 PLC ± 4 PLC ± ANGLES 5°	APVD	27-Sep-08				
	STEPHEN.P		SIZE	CAGE CODE	DRAWING NO	RESTRICTED TO
	PRODUCT SPEC	-	A 4	00779	C=1879220	-
	APPLICATION SPEC	-	Customer Drawing			
	WEIGHT	-	SCALE	40:1	SHEET	1 OF 1
					REV	BA1