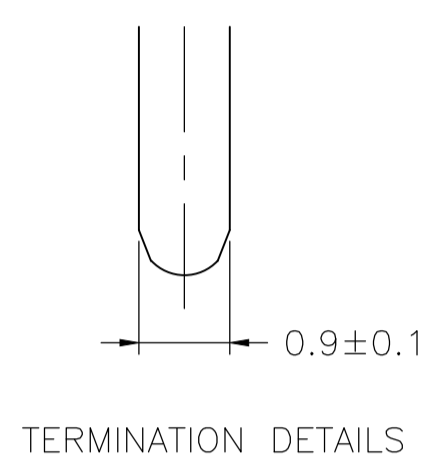
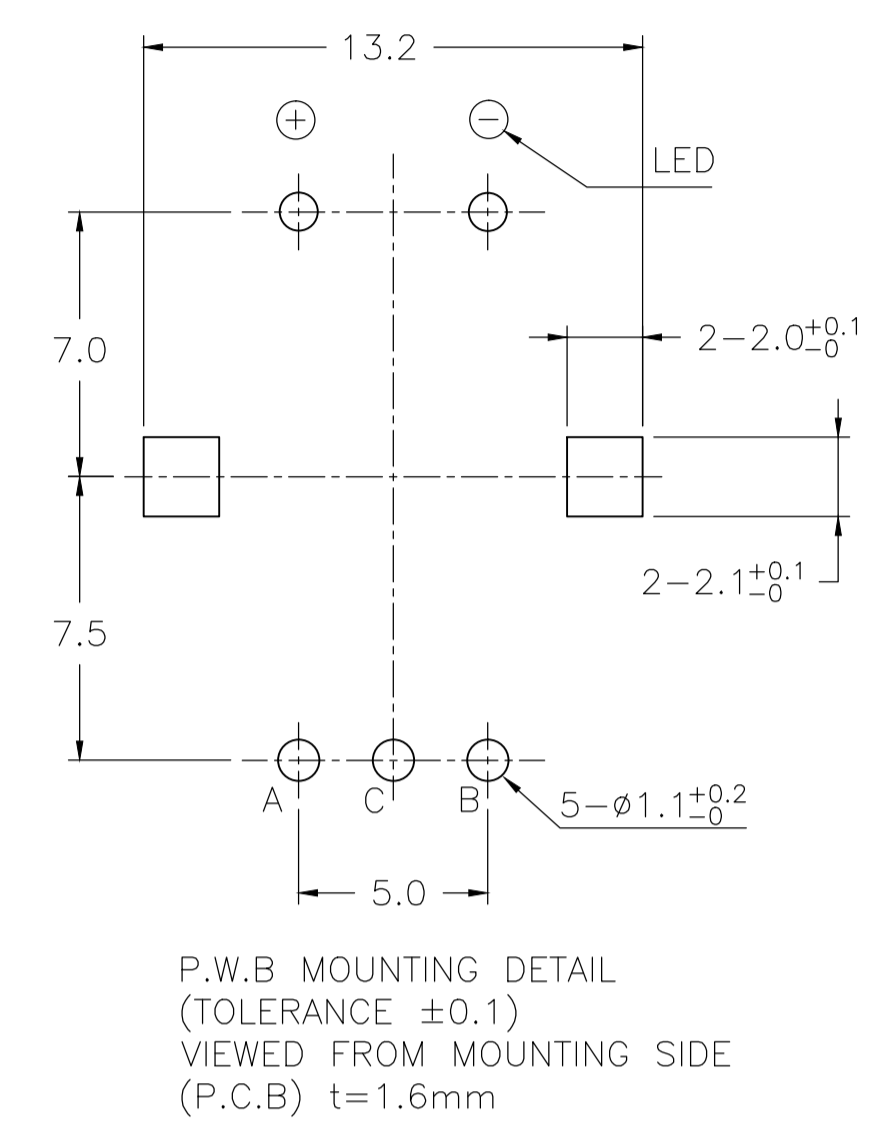
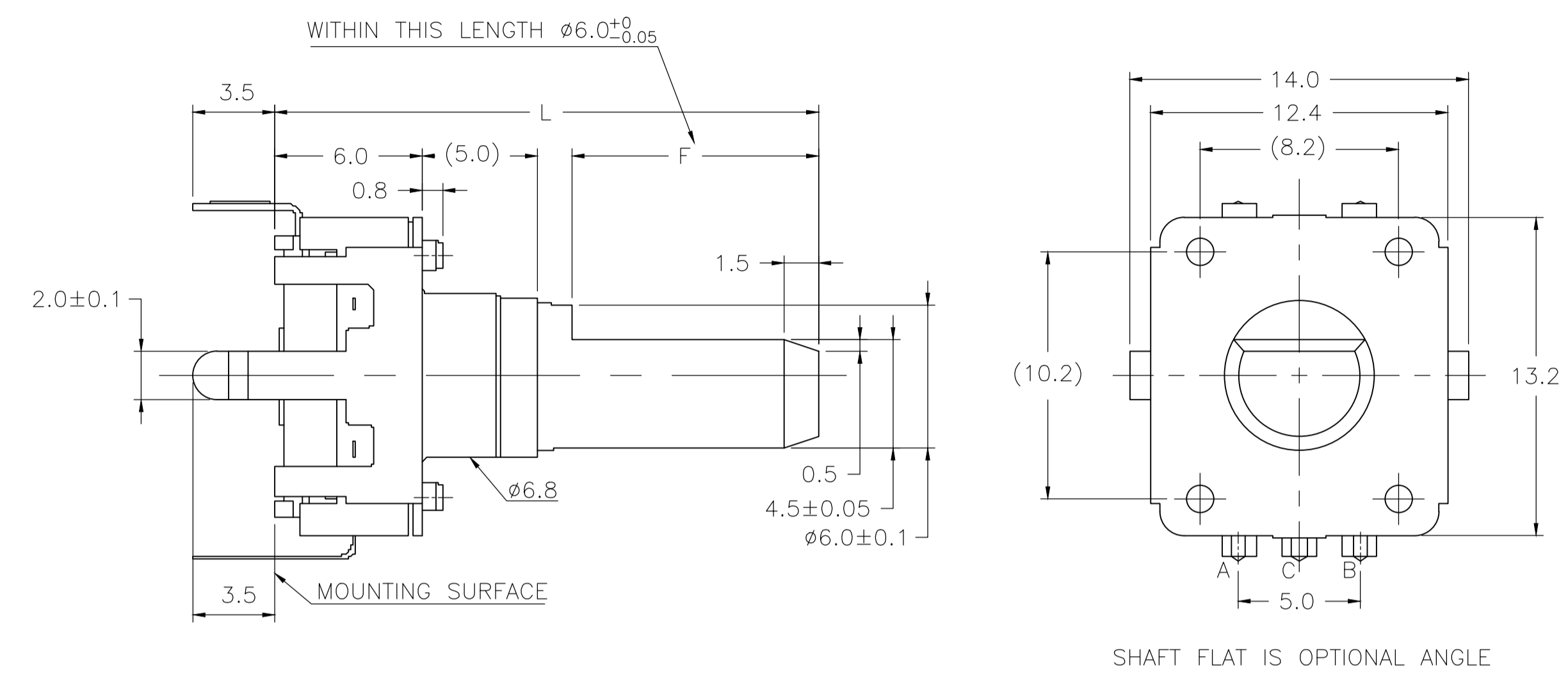


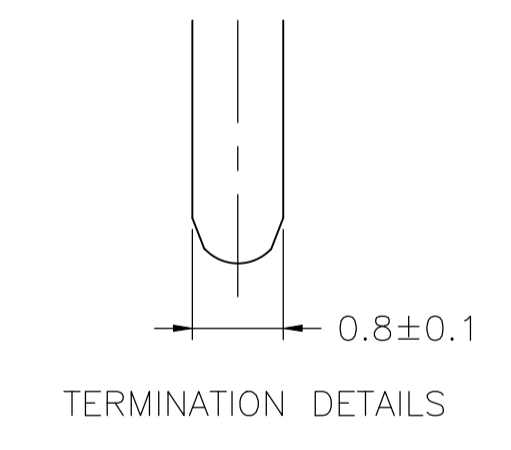
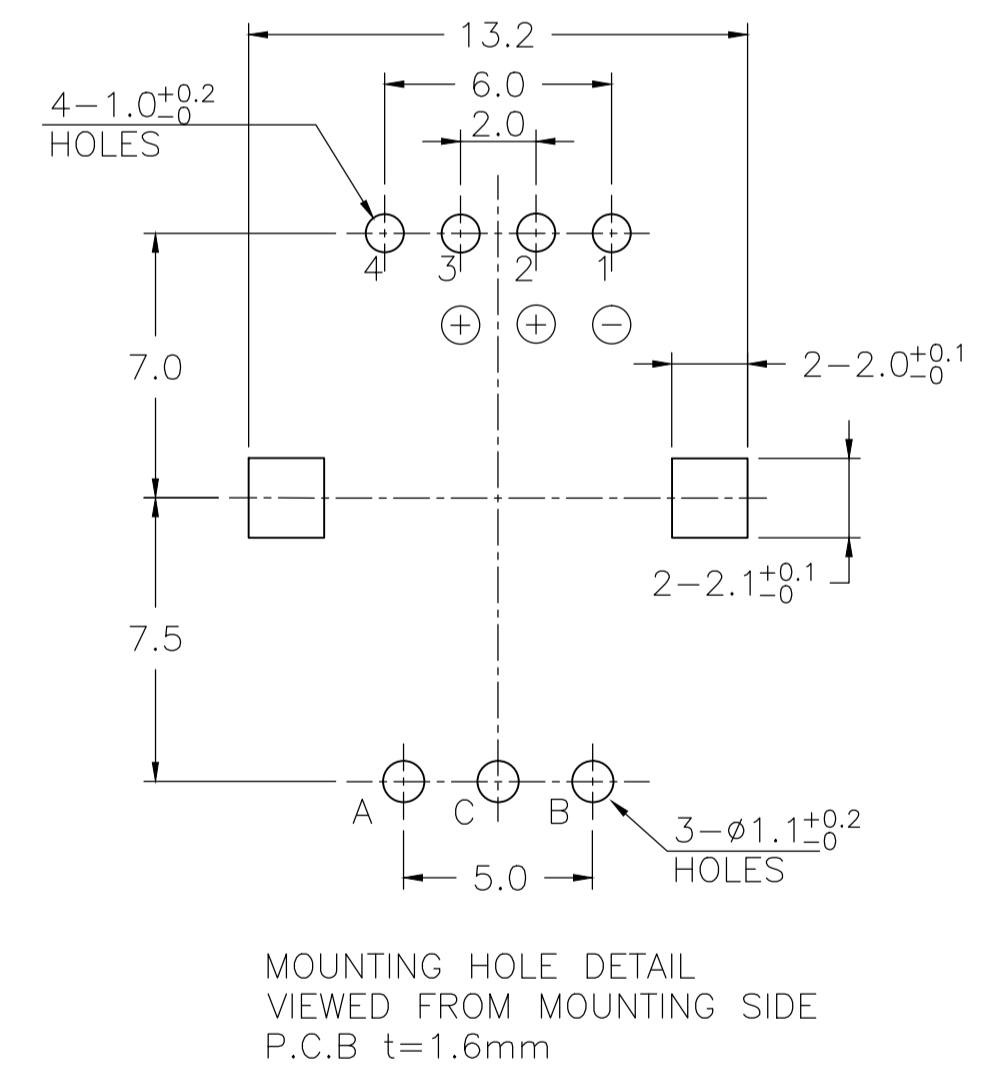
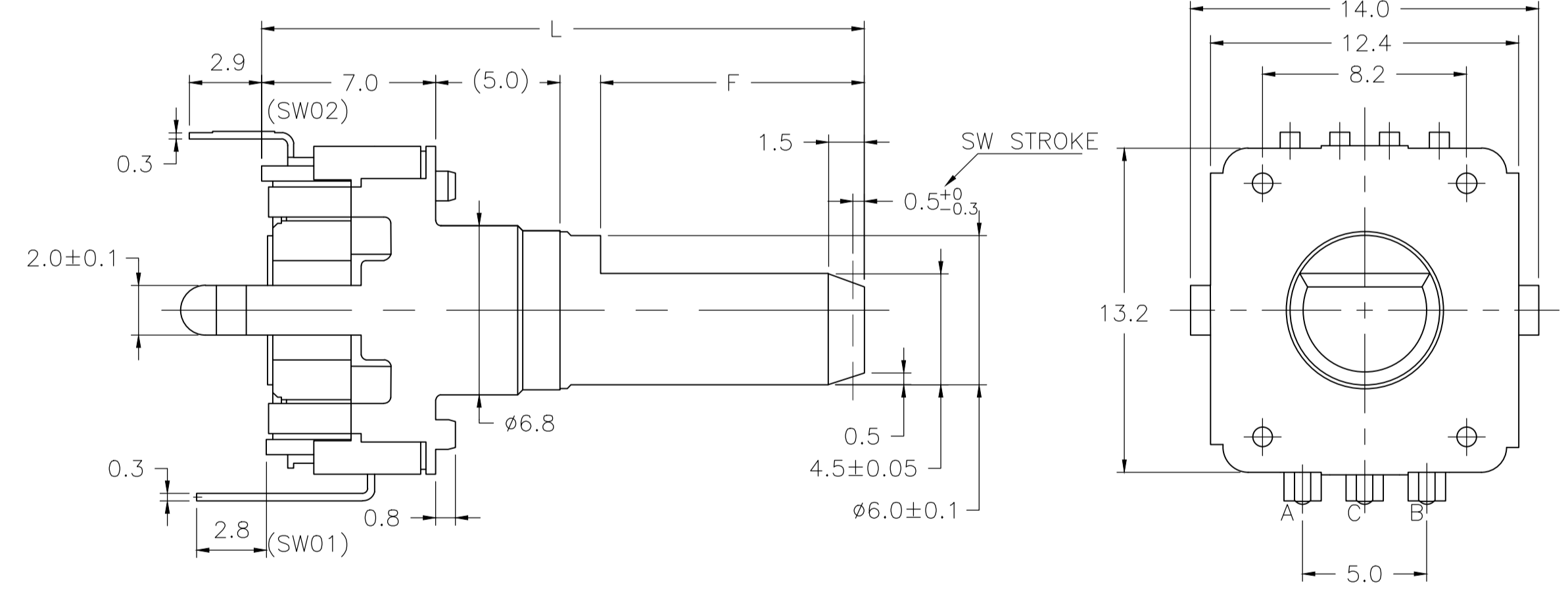
REVISIONS					
P	LTR	DESCRIPTION	DATE	DMN	APVD
BB	REVISED PER	ECR-16-016788	30NOV2016	RK	TN

1 FOR FURTHER INFORMATION SEE DATA SHEET FOR 12mm ROTARY ENCODER.

DIMENSION-DPL12V



DIMENSION-DPL12SV



LED COLOUR MASTER GRID DPL12
LED COLOR CODES

SWITCH OPTION	CODE	DESCRIPTION
SWITCH (DUAL COLOR)	1	BLUE/GREEN
	2	BLUE/ORANGE
	3	GREEN/RED
	4	RED/GREEN
	5	GREEN/ORANGE
	6	BLUE/RED
	7	WHITE/RED
	8	WHITE/GREEN
NO SWITCH (SINGLE COLOR)	R	RED
	L	LAWN GREEN
	B	BLUE
	O	ORANGE
	W	WHITE
	G	GREEN
	D	DARK ORANGE

SHAFT LENGTH MASTER GRID DPL12
SHAFT LENGTH - WITHOUT SWITCH

TYPE	DIM	OPTIONS (MM)
K	L (FROM MOUNTING SURFACE)	24 ONLY
F	L (FROM MOUNTING SURFACE)	17.5 20 25
	F	5 7 12

SHAFT LENGTH - WITH SWITCH

TYPE	DIM	OPTIONS (MM)
K	L (FROM MOUNTING SURFACE)	25 ONLY
F	L (FROM MOUNTING SURFACE)	18.5 21 26
	F	5 7 12

TOLERANCES	
L ≤ 10	±0.3
10 < L ≤ 100	±0.5
100 < L	±0.8

THIS DRAWING IS A CONTROLLED DOCUMENT.

DIMENSIONS: mm	TOLERANCES UNLESS OTHERWISE SPECIFIED:	0 PLC ± -	1 PLC ± -	2 PLC ± -	3 PLC ± -	4 PLC ± -	ANGLES ± 5°
----------------	--	-----------	-----------	-----------	-----------	-----------	-------------

MATERIAL	FINISH	WEIGHT	SCALE	NTS	SHEET	1 OF 1	REV	BB
----------	--------	--------	-------	-----	-------	--------	-----	----

STE TE Connectivity

12MM ROTARY ENCODER WITH LED VERTICAL SERIES DPL12V AND DPL12VS

APVD: STEPHEN.P 29OCT2010

SIZE: A1 00779 1879314

CUSTOMER DRAWING