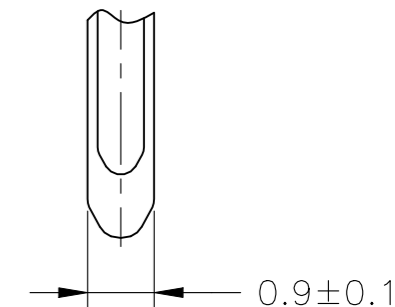
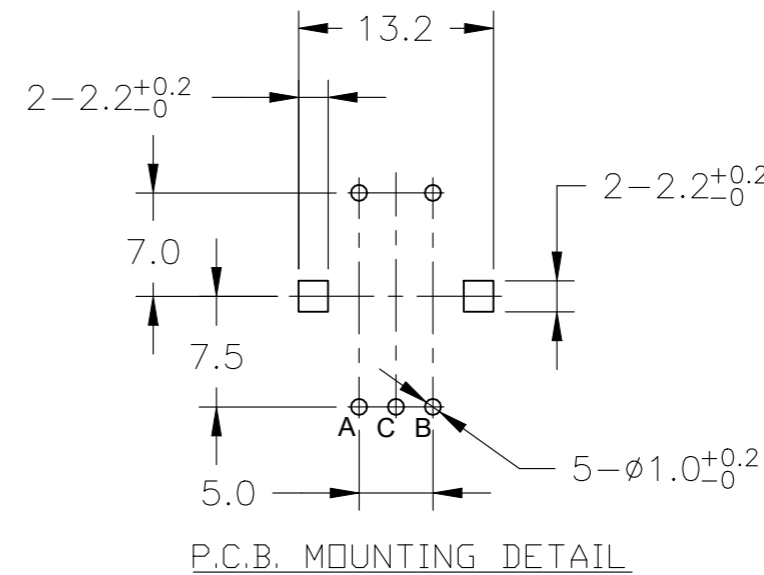
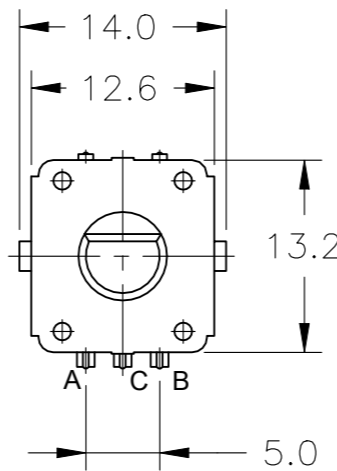
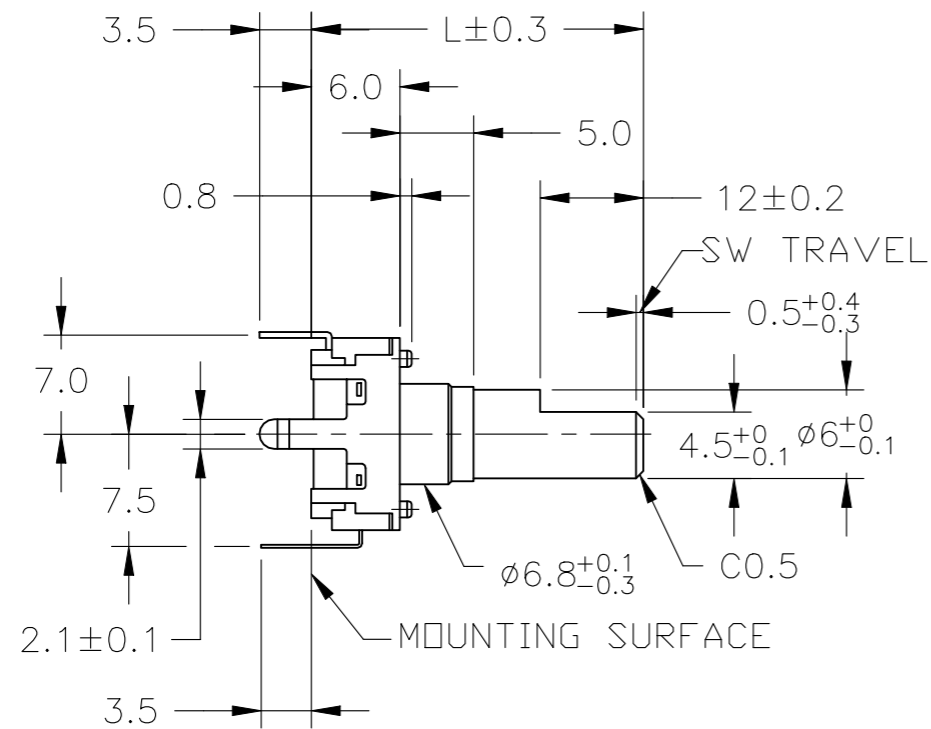


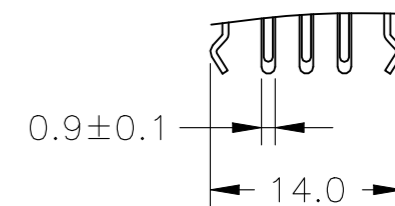
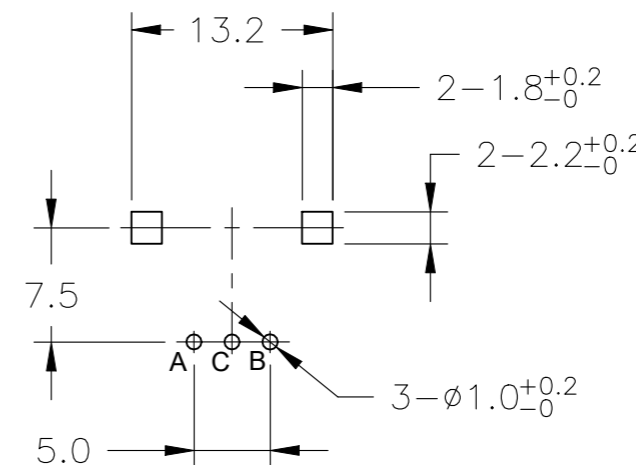
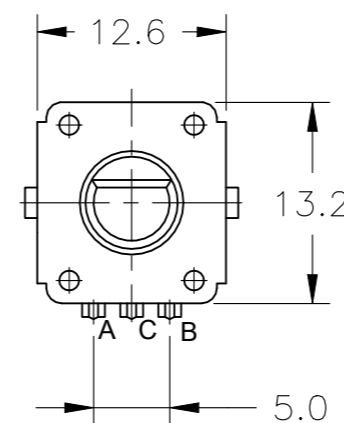
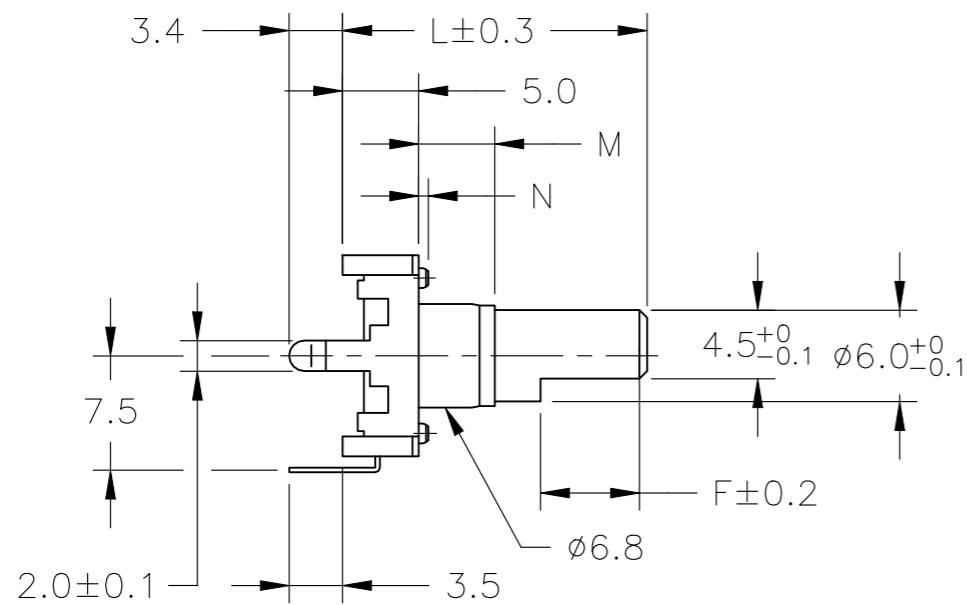
Dimensions - DP12SV

P	LTR	DESCRIPTION	DATE	DWN	APVD
-	-	SEE SHEET 1	-	-	-



ROHS COMPLIANCE


Dimensions - DP12V



ROHS COMPLIANCE

Shaft Length:

Code	15F	17.5F	22.5F	25F	30F
L	15	17.5	22.5	25	20
F	7	5	7	12	12
M	1.5	5	5	5	5
N	0.7	0.8	0.8	0.8	0.8


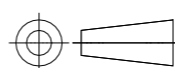
THIS DRAWING IS A CONTROLLED DOCUMENT.		DWN RAGHAVENDRA K 02NOV2015	 TE Connectivity Ltd.		
		CHK ALLAN P 02NOV2015			
		APVD TONY N 02NOV2015	NAME		
		PRODUCT SPEC	12mm ROTARY ENCODER TYPE DP12 SERIES		
		APPLICATION SPEC	RESTRICTED TO		
MATERIAL		FINISH	SIZE	CAGE CODE	DRAWING NO
-		-	A3	00779	C-1879315
CUSTOMER DRAWING			SCALE	SHEET	REV
			1:1	2 OF 3	BA1

REVISIONS

P	LTR	DESCRIPTION	DATE	DWN	APVD
-	-	SEE SHEET 1	-	-	-

SCHEDULE			
TCPN	CATALOGUE NUMBER	PART DESCRIPTION	PART STATUS
1879315-1	DP12HN12A17.5F	DP12 HOR 12P NDET 17.5F B 5MM	PRODUCTION
1879315-2	DP12H1212A17.5F	DP12 HOR 12P 12DET 17.5F B 5MM	PRODUCTION
1879315-3	DP12HN24A17.5F	DP12 HOR 24P NDET 17.5F B 5MM	PRODUCTION
1879315-4	DP12H2424A17.5F	DP12 HOR 24P 24DET 17.5F B 5MM	PRODUCTION
1879315-5	DP12HN12A20F	DP12 HOR 12P NDET 20F B 5MM	PRODUCTION
1879315-6	DP12H1212A20F	DP12 HOR 12P 12DET 20F B 5MM	PRODUCTION
1879315-7	DP12HN24A20F	DP12 HOR 24P NDET 20F B 5MM	PRODUCTION
1879315-8	DP12H2424A20F	DP12 HOR 24P 24DET 20F B 5MM	PRODUCTION
1879315-9	DP12HN12A22.5F	DP12 HOR 12P NDET 22.5F B 5MM	PRODUCTION
1-1879315-0	DP12H1212A22.5F	DP12 HOR 12P 12DET 22.5F B 5MM	PRODUCTION
1-1879315-1	DP12HN24A22.5F	DP12 HOR 24P NDET 22.5F B 5MM	PRODUCTION
1-1879315-2	DP12H2424A22.5F	DP12 HOR 24P 24DET 22.5F B 5MM	PRODUCTION
1-1879315-3	DP12HN12A25F	DP12 HOR 12P NDET 25F B 5MM	PRODUCTION
1-1879315-4	DP12H1212A25F	DP12 HOR 12P 12DET 25F B 5MM	PRODUCTION
1-1879315-5	DP12HN24A25F	DP12 HOR 24P NDET 25F B 5MM	PRODUCTION
1-1879315-6	DP12H2424A25F	DP12 HOR 24P 24DET 25F B 5MM	PRODUCTION
1-1879315-7	DP12VN12A17.5F	DP12 VER 12P NDET 17.5F B 5MM	PRODUCTION
1-1879315-8	DP12V1212A17.5F	DP12 VER 12P 12DET 17.5F B 5MM	PRODUCTION
1-1879315-9	DP12VN24A17.5F	DP12 VER 24P NDET 17.5F B 5MM	PRODUCTION
2-1879315-0	DP12V2424A17.5F	DP12 VER 24P 24DET 17.5F B 5MM	PRODUCTION
2-1879315-1	DP12VN12A20F	DP12 VER 12P NDET 20F B 5MM	PRODUCTION
2-1879315-2	DP12V1212A20F	DP12 VER 12P 12DET 20F B 5MM	PRODUCTION
2-1879315-3	DP12VN24A20F	DP12 VER 24P NDET 20F B 5MM	PRODUCTION
2-1879315-4	DP12V2424A20F	DP12 VER 24P 24DET 20F B 5MM	PRODUCTION
2-1879315-5	DP12VN12A22.5F	DP12 VER 12P NDET 22.5F B 5MM	PRODUCTION
2-1879315-6	DP12V1212A22.5F	DP12 VER 12P 12DET 22.5F B 5MM	PRODUCTION
2-1879315-7	DP12VN24A22.5F	DP12 VER 24P NDET 22.5F B 5MM	PRODUCTION
2-1879315-8	DP12V2424A22.5F	DP12 VER 24P 24DET 22.5F B 5MM	PRODUCTION
2-1879315-9	DP12VN12A25F	DP12 VER 12P NDET 25F B 5MM	PRODUCTION
3-1879315-0	DP12V1212A25F	DP12 VER 12P 12DET 25F B 5MM	PRODUCTION
3-1879315-1	DP12VN24A25F	DP12 VER 24P NDET 25F B 5MM	PRODUCTION
3-1879315-2	DP12V2424A25F	DP12 VER 24P 24DET 25F B 5MM	PRODUCTION
3-1879315-3	DP12SHN12A17.5F	DP12S HOR 12P NDET 17.5F B 5MM	PRODUCTION

SCHEDULE			
TCPN	CATALOGUE NUMBER	PART DESCRIPTION	PART STATUS
3-1879315-4	DP12SH1212A17.5F	DP12S HOR 12P 12DET 17.5F B 5MM	PRODUCTION
3-1879315-5	DP12SHN24A17.5F	DP12S HOR 24P NDET 17.5F B 5MM	PRODUCTION
3-1879315-6	DP12SH2424A17.5F	DP12S HOR 24P 24DET 17.5F B 5MM	PRODUCTION
3-1879315-7	DP12SHN12A20F	DP12S HOR 12P NDET 20F B 5MM	PRODUCTION
3-1879315-8	DP12SH1212A20F	DP12S HOR 12P 12DET 20F B 5MM	PRODUCTION
3-1879315-9	DP12SHN24A20F	DP12S HOR 24P NDET 20F B 5MM	PRODUCTION
4-1879315-0	DP12SH2424A20F	DP12S HOR 24P 24DET 20F B 5MM	PRODUCTION
4-1879315-1	DP12SHN12A22.5F	DP12S HOR 12P NDET 22.5F B 5MM	PRODUCTION
4-1879315-2	DP12SH1212A22.5F	DP12S HOR 12P 12DET 22.5F B 5MM	PRODUCTION
4-1879315-3	DP12SHN24A22.5F	DP12S HOR 24P NDET 22.5F B 5MM	PRODUCTION
4-1879315-4	DP12SH2424A22.5F	DP12S HOR 24P 24DET 22.5F B 5MM	PRODUCTION
4-1879315-5	DP12SHN12A25F	DP12S HOR 12P NDET 25F B 5MM	PRODUCTION
4-1879315-6	DP12SH1212A25F	DP12S HOR 12P 12DET 25F B 5MM	PRODUCTION
4-1879315-7	DP12SHN24A25F	DP12S HOR 24P NDET 25F B 5MM	PRODUCTION
4-1879315-8	DP12SH2424A25F	DP12S HOR 24P 24DET 25F B 5MM	PRODUCTION
4-1879315-9	DP12SVN12A17.5F	DP12S VER 12P NDET 17.5F B 5MM	PRODUCTION
5-1879315-0	DP12SV1212A17.5F	DP12S VER 12P 12DET 17.5F B 5MM	PRODUCTION
5-1879315-1	DP12SVN24A17.5F	DP12S VER 24P NDET 17.5F B 5MM	PRODUCTION
5-1879315-2	DP12SV2424A17.5F	DP12S VER 24P 24DET 17.5F B 5MM	PRODUCTION
5-1879315-3	DP12SVN12A20F	DP12S VER 12P NDET 20F B 5MM	PRODUCTION
5-1879315-4	DP12SV1212A20F	DP12S VER 12P 12DET 20F B 5MM	PRODUCTION
5-1879315-5	DP12SVN24A20F	DP12S VER 24P NDET 20F B 5MM	PRODUCTION
5-1879315-6	DP12SV2424A20F	DP12S VER 24P 24DET 20F B 5MM	PRODUCTION
5-1879315-7	DP12SVN12A22.5F	DP12S VER 12P NDET 22.5F B 5MM	PRODUCTION
5-1879315-8	DP12SV1212A22.5F	DP12S VER 12P 12DET 22.5F B 5MM	PRODUCTION
5-1879315-9	DP12SVN24A22.5F	DP12S VER 24P NDET 22.5F B 5MM	PRODUCTION
6-1879315-0	DP12SV2424A22.5F	DP12S VER 24P 24DET 22.5F B 5MM	PRODUCTION
6-1879315-1	DP12SVN12A25F	DP12S VER 12P NDET 25F B 5MM	PRODUCTION
6-1879315-2	DP12SV1212A25F	DP12S VER 12P 12DET 25F B 5MM	PRODUCTION
6-1879315-3	DP12SVN24A25F	DP12S VER 24P NDET 25F B 5MM	PRODUCTION
6-1879315-4	DP12SV2424A25F	DP12S VER 24P 24DET 25F B 5MM	PRODUCTION
6-1879315-5	DP12V2424A15F	DP12 VER 24P 24DET 15F B 5MM	PRODUCTION

THIS DRAWING IS A CONTROLLED DOCUMENT.		DWN RAGHAVENDRA K 02NOV2015	 TE Connectivity Ltd.	
DIMENSIONS: mm		CHK ALLAN P 02NOV2015		
TOLERANCES UNLESS OTHERWISE SPECIFIED:		APVD TONY N 02NOV2015	NAME 12mm ROTARY ENCODER TYPE DP12 SERIES	
		PRODUCT SPEC -	RESTRICTED TO -	
MATERIAL -		FINISH -	APPLICATION SPEC -	SIZE A3
		WEIGHT -	CAGE CODE 00779	DRAWING NO C-1879315
CUSTOMER DRAWING			SCALE 1:1	SHEET 3 of 3
			REV BA1	