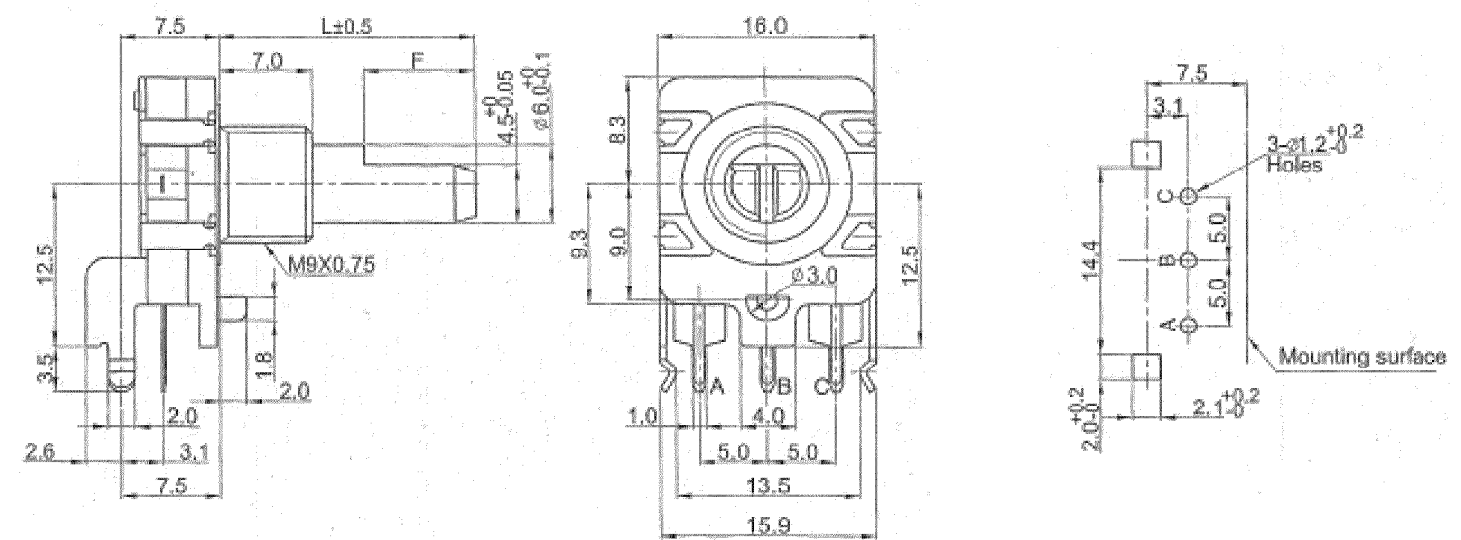


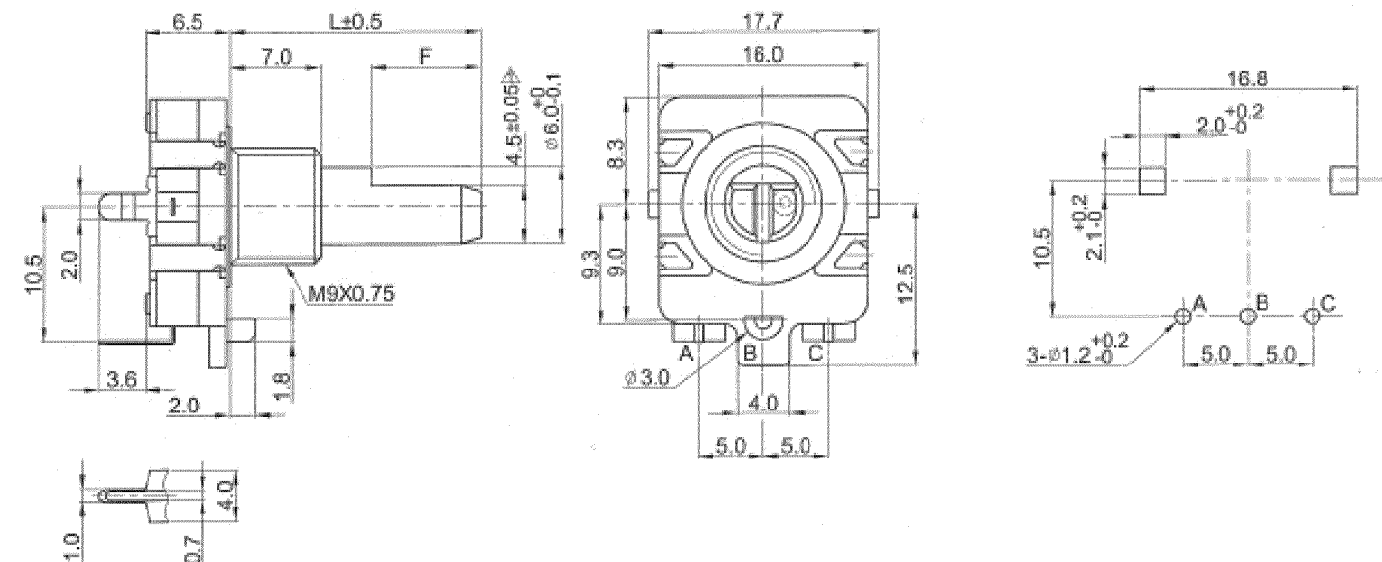
THIS DRAWING IS UNPUBLISHED. RELEASED FOR PUBLICATION
 © COPYRIGHT BY TYCO ELECTRONICS CORPORATION. ALL RIGHTS RESERVED.

LOC	DIST	REVISIONS					
E	B	P	LTR	DESCRIPTION	DATE	DWN	APVD
		BA		NEW DRAWING	29DEC10	P.T	St.P

Dimensions DP16H



DP16V



Shaft Length

L	15	20	25
F	7	12	12

FOR FURTHER INFORMATION SEE DATASHEET FOR 16mm ROTARY ENCODER.

THIS DRAWING IS A CONTROLLED DOCUMENT.		DWN	T.PARUSURAM	29-12-10	Tyco Electronics Corporation Dorcan, Swindon, GB				
DIMENSIONS: MM		CHK	ALLAN.P	29-12-10					
TOLERANCES UNLESS OTHERWISE SPECIFIED:		APVD	STEPHEN.P	29-12-10					
0 PLC ± - 1 PLC ± 0.2 2 PLC ± - 3 PLC ± - 4 PLC ± - ANGLES ± -		NAME		16mm ROTARY ENCODER SERIES-DP16					
MATERIAL	FINISH	PRODUCT SPEC	-		SIZE	CAGE CODE	DRAWING NO	RESTRICTED TO	
-	-	APPLICATION SPEC	-		A3	00779	C-1879318	-	
-		WEIGHT	-		CUSTOMER DRAWING			SCALE	1:1
-		SHEET		1	OF	1	REV	BA	