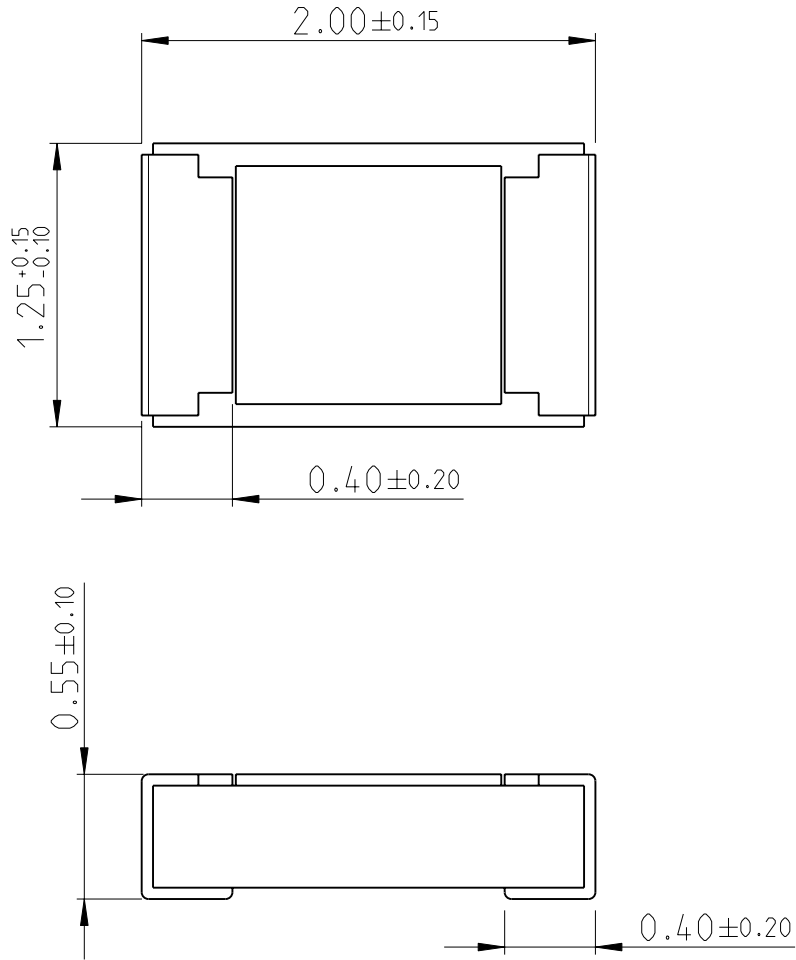
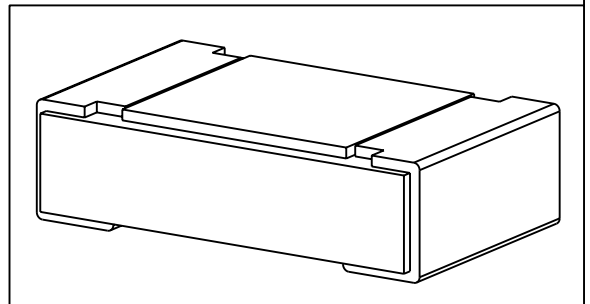


LOC	DIST	REVISIONS					
-	-	P	LTR	DESCRIPTION	DATE	DWN	APVD
		BA		NEW DRAWING	27JUN2012	KR	TN



FOR FURTHER INFORMATION SEE PRODUCT SPECIFICATION FOR CRGH SERIES

RoHS Compliant



20


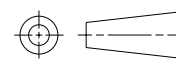
RELEASED FOR PUBLICATION

ALL RIGHTS RESERVED.

BY -

© COPYRIGHT 20

THIS DRAWING IS UNPUBLISHED.

DIMENSIONS:	DWN	27JUN2012	MATERIAL	FINISH			
mm	RAGHAVENDRA K		-	-			
TOLERANCES UNLESS OTHERWISE SPECIFIED:	CHK	27JUN2012	 TE Connectivity				
0 PLC ±	ALLAN P						
1 PLC ±0.5	APVD	27JUN2012	NAME SMD POWER RESISTORS - TYPE CRGH0805 SERIES				
2 PLC ±0.13	TONY N						
3 PLC ±0.013	PRODUCT SPEC	-	SIZE	CAGE CODE	DRAWING NO	RESTRICTED TO	
4 PLC ±0.0001	APPLICATION SPEC	-	A 4	00779	©-1879377	-	
ANGLES ±	WEIGHT	-	SCALE		SHEET	OF	REV
	CUSTOMER DRAWING		40:1		1	1	BA