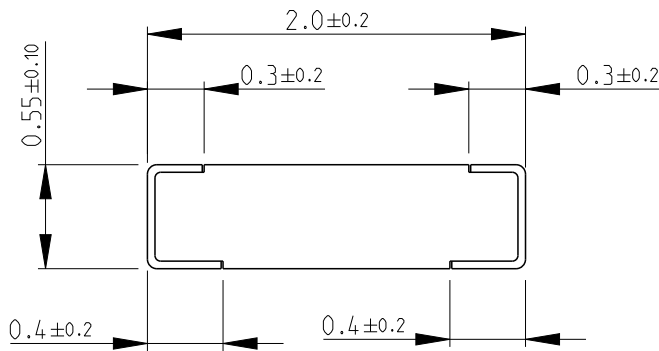
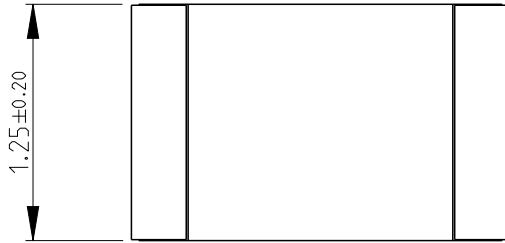
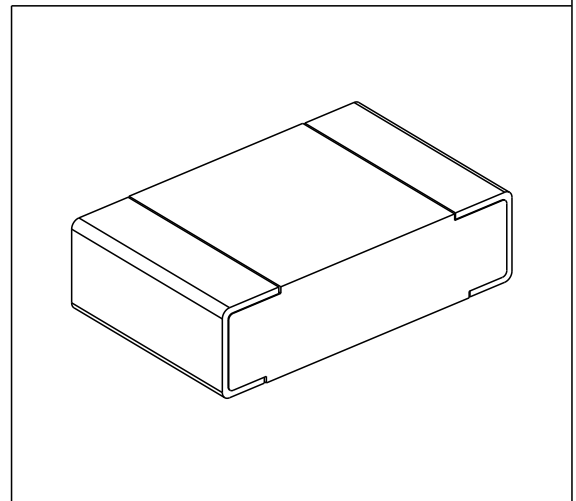


LOC	DIST	REVISIONS					
E	B	P	LTR	DESCRIPTION	DATE	DWN	APVD
			BA	INITIAL RELEASE	05JAN2016	KR	TN

FOR FURTHER INFORMATION SEE DATA SHEET FOR CPF SERIES-THIN FILM PRECISION CHIP RESISTORS



RoHS Compliant




2008

RELEASED FOR PUBLICATION

ALL RIGHTS RESERVED.

© COPYRIGHT 2008

THIS DRAWING IS UNPUBLISHED.

DIMENSIONS: mm	DWN	RAGHAVENDRA K	05JAN2016	MATERIAL	-	FINISH	-					
	CHK	ALLAN P	05JAN2016	 TE Connectivity								
TOLERANCES UNLESS OTHERWISE SPECIFIED:	APVD	TONY N	05JAN2016					NAME	THIN FILM PRECISION CHIP RESISTORS SERIES CPF 0805			
	0 PLC	± 0.2	PRODUCT SPEC	-	SIZE	A 4	CAGE CODE	00779	DRAWING NO	1879438	RESTRICTED TO	-
1 PLC	± 0.1	APPLICATION SPEC	-	SCALE	25:1	SHEET	1	OF	1	REV	BA	
2 PLC	± -	WEIGHT	-	CUSTOMER DRAWING								
3 PLC	± -											
4 PLC	± -											
ANGLES	± 5°											

