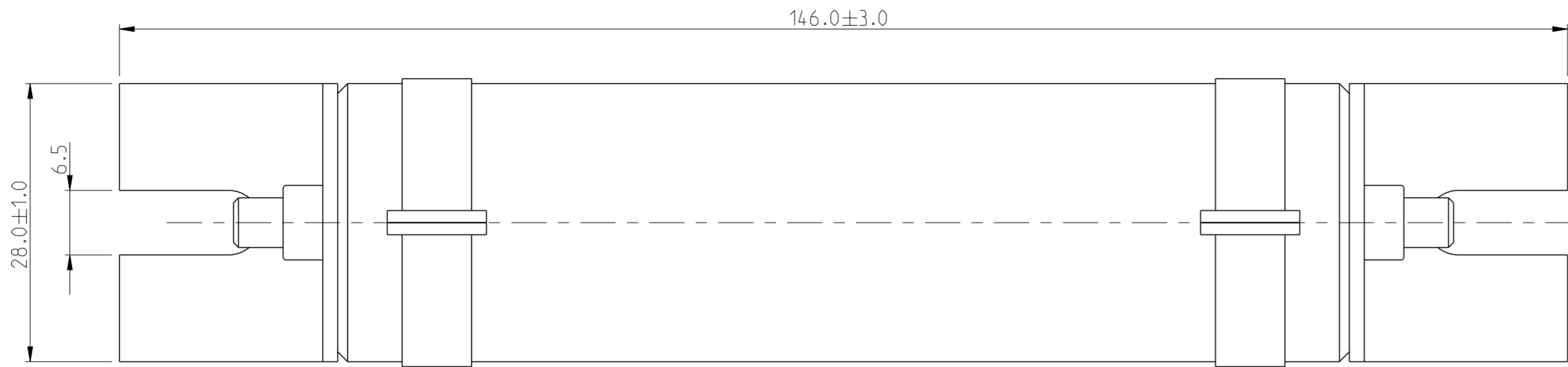
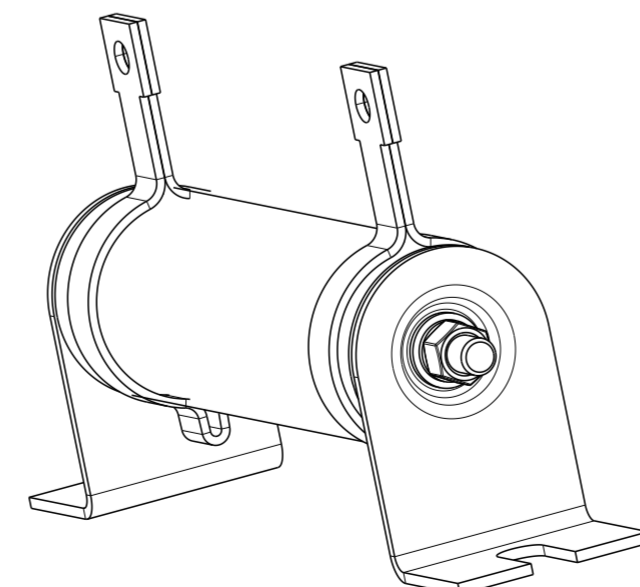
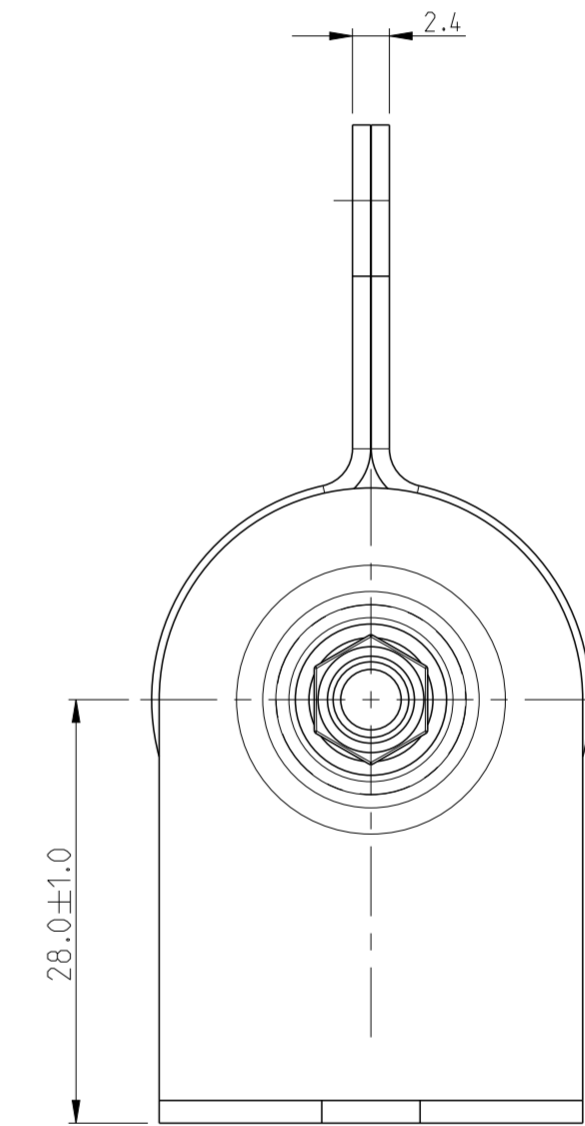
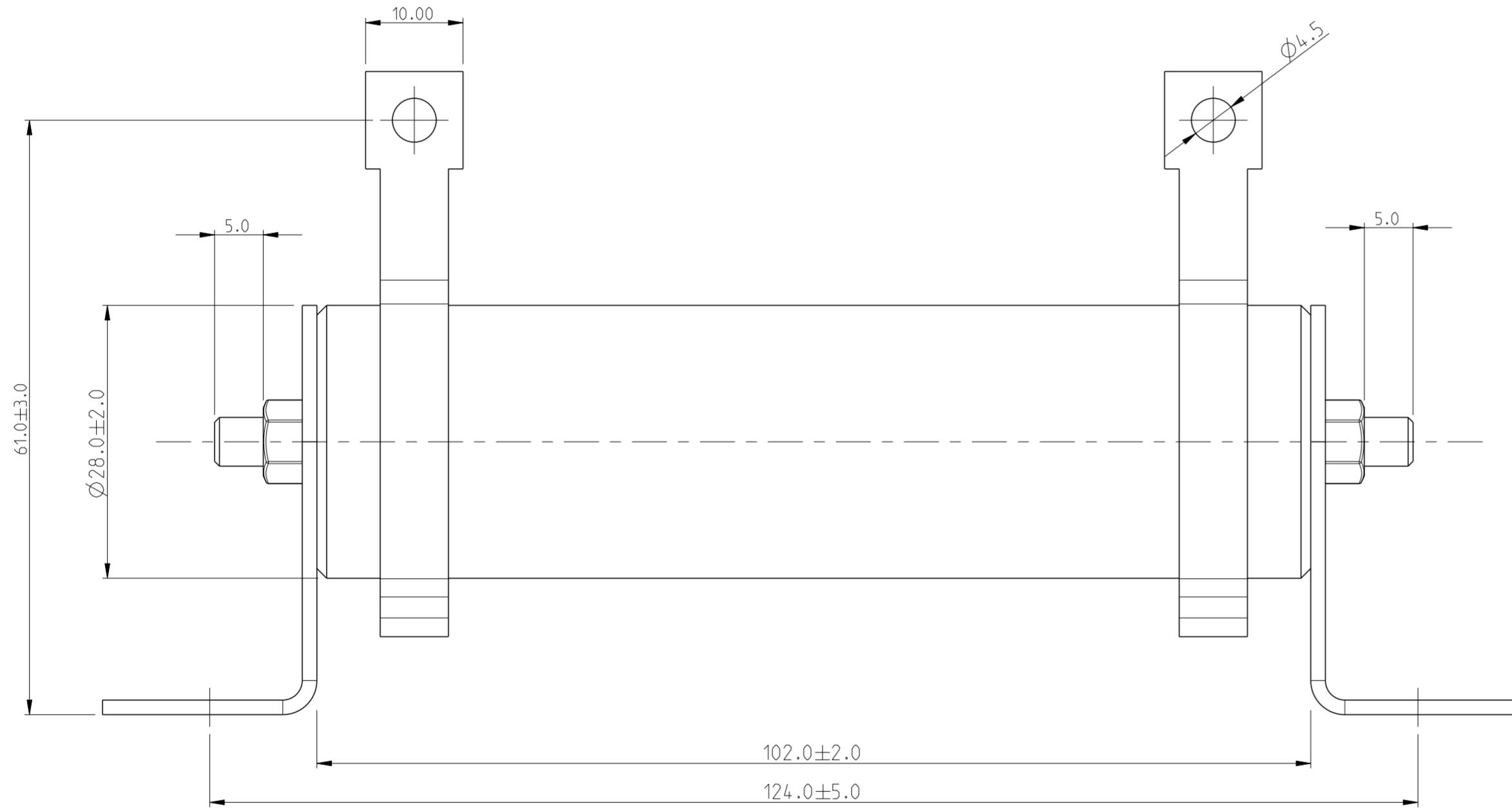


THIS DRAWING IS UNPUBLISHED. RELEASED FOR PUBLICATION 2009  
 © COPYRIGHT 2009 ALL RIGHTS RESERVED.


LOC		DIST		REVISIONS			
P	LTR	DESCRIPTION		DATE	DWN	APVD	
	BB	INITIAL RELEASE		17NOV2015	KR	TN	



- NOTES:
1. POWER RATING: 60W
  2. INSULATION RESISTANCE DC 500V - 20 M OHMS MIN.
  3. VOLTAGE RESISTABILITY: AC 2500V 1 MINUTE
  4. TUBE BORE AND SIDE FACES SHOULD BE FREE OF PAINT
  5. PARTS SHALL BE BLANK, SMOOTH, FREE OF BURRS AND ALL OTHER FOREIGN MATERIAL
  6. FOR FURTHER INFORMATION SEE DATASHEET FOR TE SERIES HIGH POWER WIRE WOUND RESISTOR
  7. FOR SPECIFIC PART NUMBER, RESISTANCE VALUE AND TOLERANCE PLEASE REFER TO SMART PART SEARCH



RoHS Compliant

THIS DRAWING IS A CONTROLLED DOCUMENT.		DWN 16NOV2015 RAGHAVENDRA K	 TE Connectivity	
DIMENSIONS: mm		CHK 16NOV2015 ALLAN P		
TOLERANCES UNLESS OTHERWISE SPECIFIED:		APVD 16NOV2015 TONY N	NAME HIGH POWER WIRE WOUND RESISTOR	
0 PLC ±0.5	1 PLC ±0.1	PRODUCT SPEC	TE 60 SERIES	
2 PLC ±0.05	3 PLC ±	APPLICATION SPEC	SIZE	CAGE CODE
4 PLC ±	ANGLES ±0.5°	FINISH	A2100779	C-1879442
MATERIAL		WEIGHT	DRAWING NO	
-		-	RESTRICTED TO	
-		CUSTOMER DRAWING	SCALE 2:1	SHEET 1 OF 1
-			REV BB	