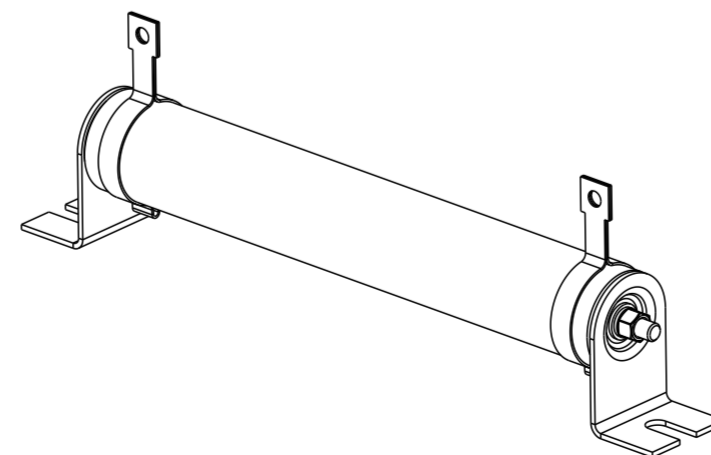
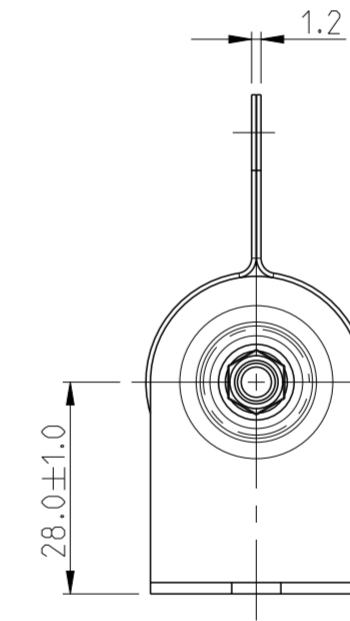
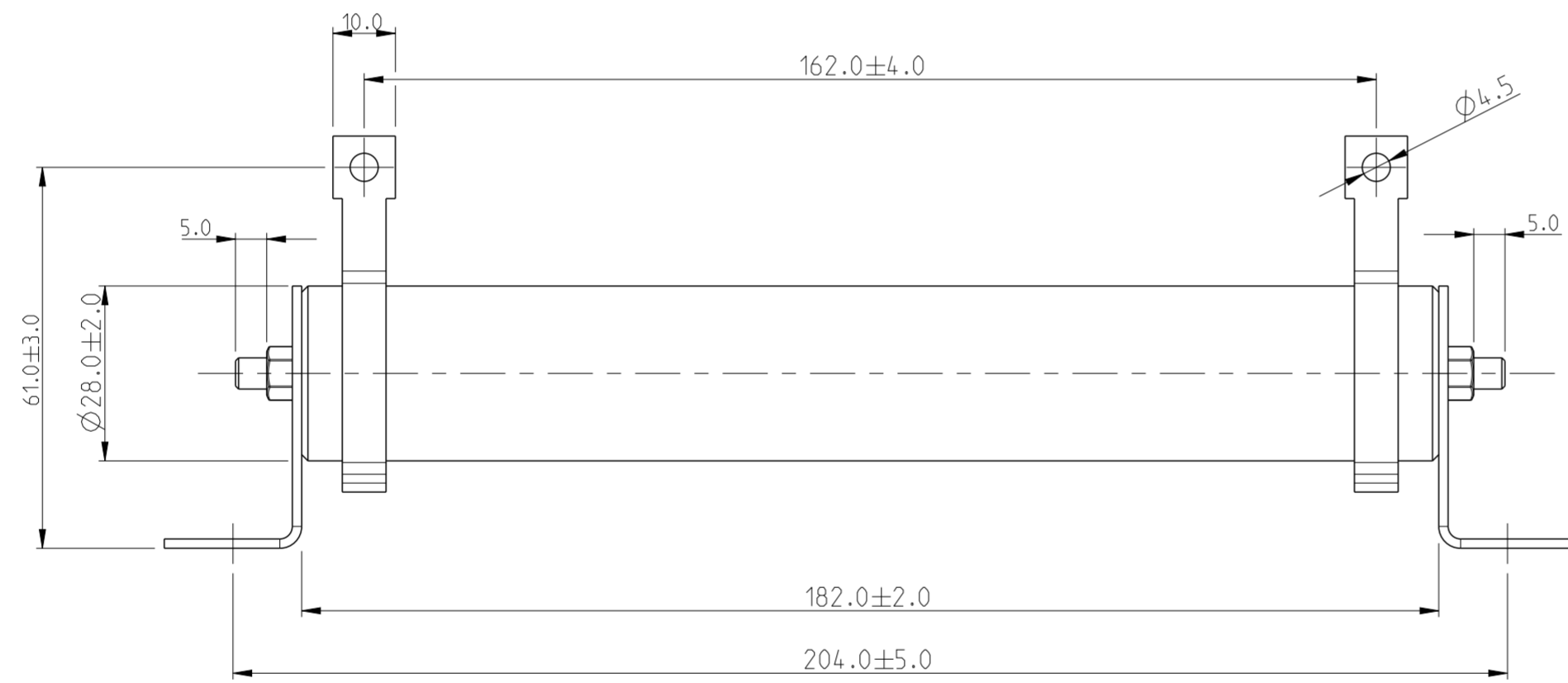
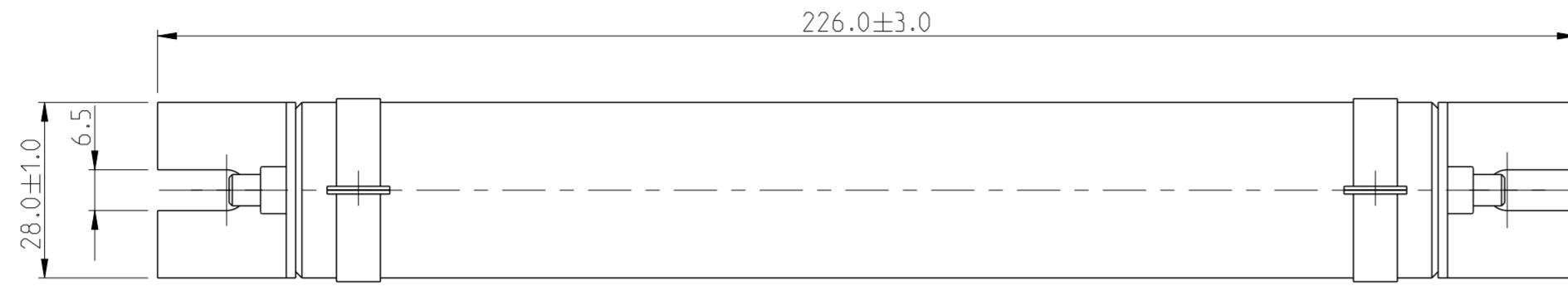


THIS DRAWING IS UNPUBLISHED. RELEASED FOR PUBLICATION 2011
 © COPYRIGHT 2011 BY TYCO ELECTRONICS CORPORATION ALL RIGHTS RESERVED.


LOC		DIST		REVISIONS			
P	LTR	DESCRIPTION		DATE	DWN	APVD	
	BB	INITIAL RELEASE		17NOV2015	KR	TN	

NOTES:

1. POWER RATING: 100W
2. INSULATION RESISTANCE DC 500V - 20 M OHMS MIN.
3. VOLTAGE RESISTABILITY: AC 2500V 1 MINUTE
4. TUBE BORE AND SIDE FACES SHOULD BE FREE OF PAINT
5. PARTS SHALL BE BLANK, SMOOTH, FREE OF BURRS AND ALL OTHER FOREIGN MATERIAL
6. FOR FURTHER INFORMATION SEE DATASHEET FOR TE SERIES HIGH POWER WIRE WOUND RESISTOR
7. FOR A SPECIFIC PART NUMBER RESISTANCE VALUE AND TOLERANCE, PLEASE REFER TO DMF
8. FOR SPECIFIC PART NUMBER, RESISTANCE VALUE AND TOLERANCE PLEASE REFER TO SMART PART SEARCH



RoHS Compliant

THIS DRAWING IS A CONTROLLED DOCUMENT.		DWN RAGHAVENDRA K 16NOV2015	 TE Connectivity	
DIMENSIONS: mm		CHK ALLAN P 16NOV2015		
TOLERANCES UNLESS OTHERWISE SPECIFIED: 0 PLC ±0.5 1 PLC ±0.1 2 PLC ±0.05 3 PLC ± 4 PLC ± ANGLES ±0.5° FINISH		APVD TONY N 16NOV2015	PRODUCT SPEC -	RESTRICTED TO -
MATERIAL -		APPLICATION SPEC -	WEIGHT -	SIZE A2
		CUSTOMER DRAWING	SCALE 1:1	SHEET 1 OF 1
			DRAWING NO C-1879444	REV BB