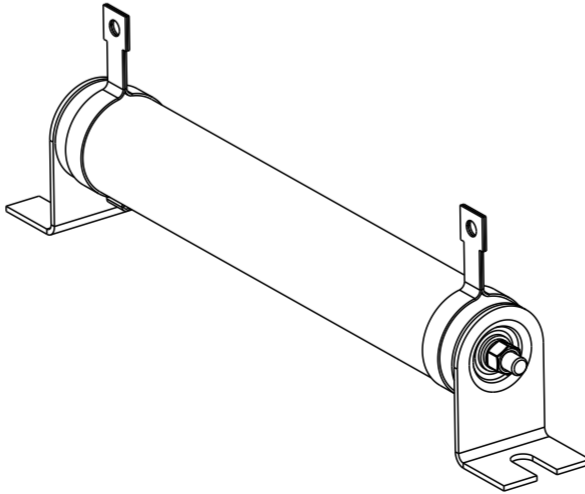
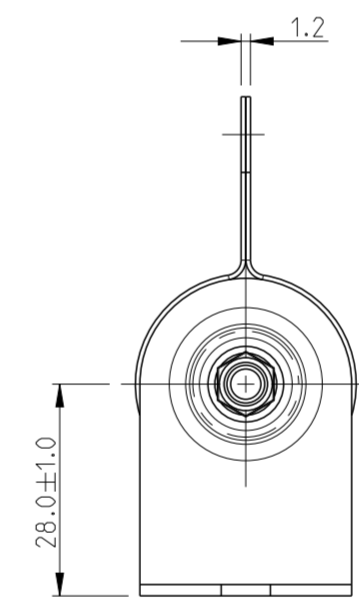
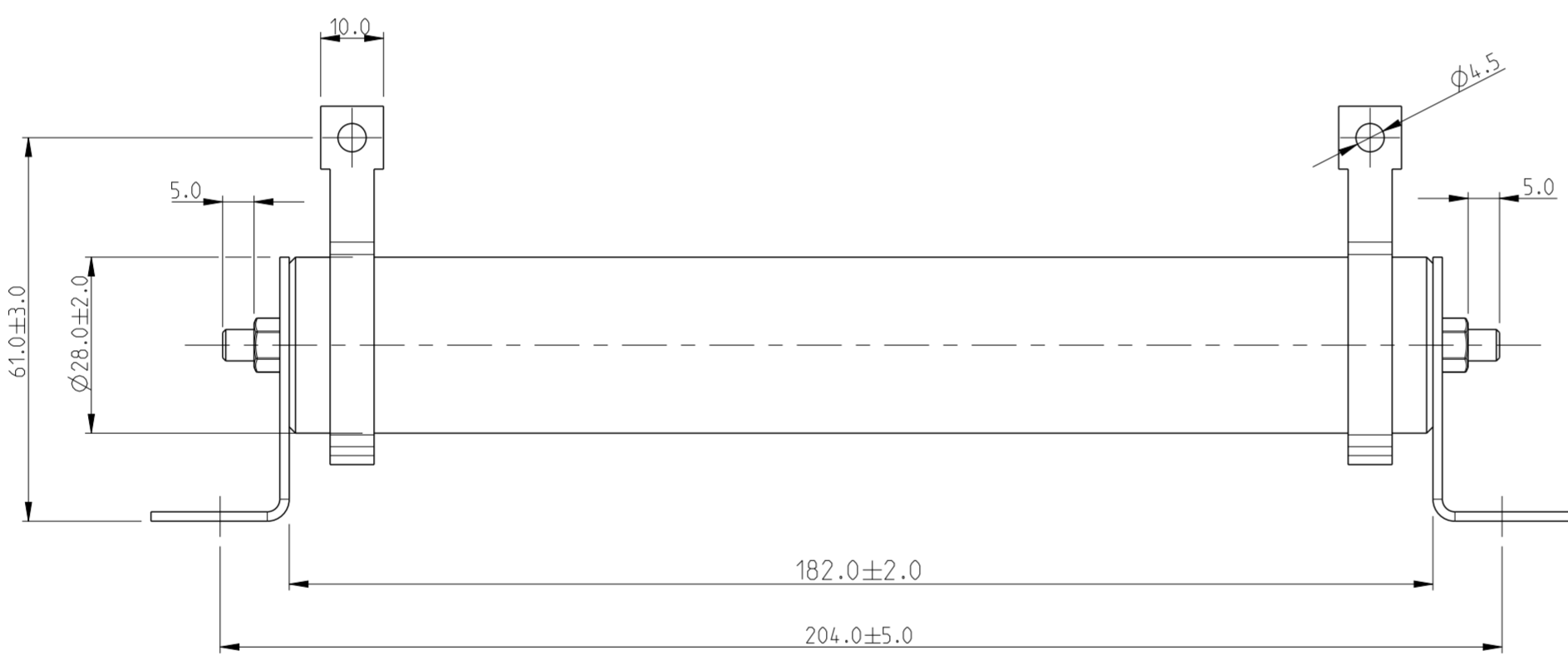
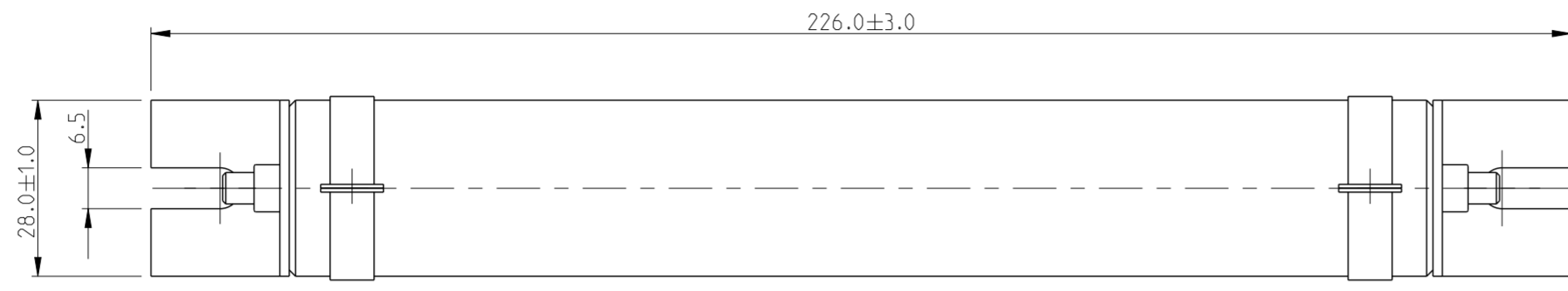


THIS DRAWING IS UNPUBLISHED. RELEASED FOR PUBLICATION 2011  
 © COPYRIGHT 2011 BY TYCO ELECTRONICS CORPORATION ALL RIGHTS RESERVED.


LOC		DIST		REVISIONS			
P	LTR	DESCRIPTION		DATE	DWN	APVD	
E	B	BB	ECR-15-016499	16NOV2015	KR	TN	



NOTES:

1. POWER RATING: 120W
2. INSULATION RESISTANCE DC 500V - 20M Ohms Min.
3. VOLTAGE RESISTABILITY: AC 2500V, 50Hz/1 Min.
4. TUBE BORE AND SIDE FACES SHOULD BE FREE OF PAINT
5. PARTS SHALL BE BLANK, SMOOTH, FREE OF BURRS AND ALL OTHER FOREIGN MATERIAL
6. FOR FURTHER INFORMATION SEE DATASHEET FOR TE SERIES HIGH POWER WIRE WOUND RESISTOR
7. FOR SPECIFIC PART NUMBER, RESISTANCE VALUE AND TOLERANCE PLEASE REFER TO SMART PART SEARCH

RoHS Compliant

THIS DRAWING IS A CONTROLLED DOCUMENT.		DWN PRASAD K 26SEP2011	 TE Connectivity	
DIMENSIONS: mm		CHK J.CATCHPOLE 26SEP2011		
TOLERANCES UNLESS OTHERWISE SPECIFIED:		APVD J.CATCHPOLE 26SEP2011	NAME HIGH POWER WIRE WOUND RESISTOR TE 120W SERIES	
0 PLC ±0.5		PRODUCT SPEC	-	
1 PLC ±0.1		APPLICATION SPEC	-	
2 PLC ±0.05		WEIGHT 0.43KG (430g)	SIZE A2	CAGE CODE 00779
3 PLC ±		CUSTOMER DRAWING	DRAWING NO C-1879445	RESTRICTED TO -
4 PLC ±			SCALE 1:1	SHEET 1 OF 1
ANGLES ±				
FINISH ±0.5°				